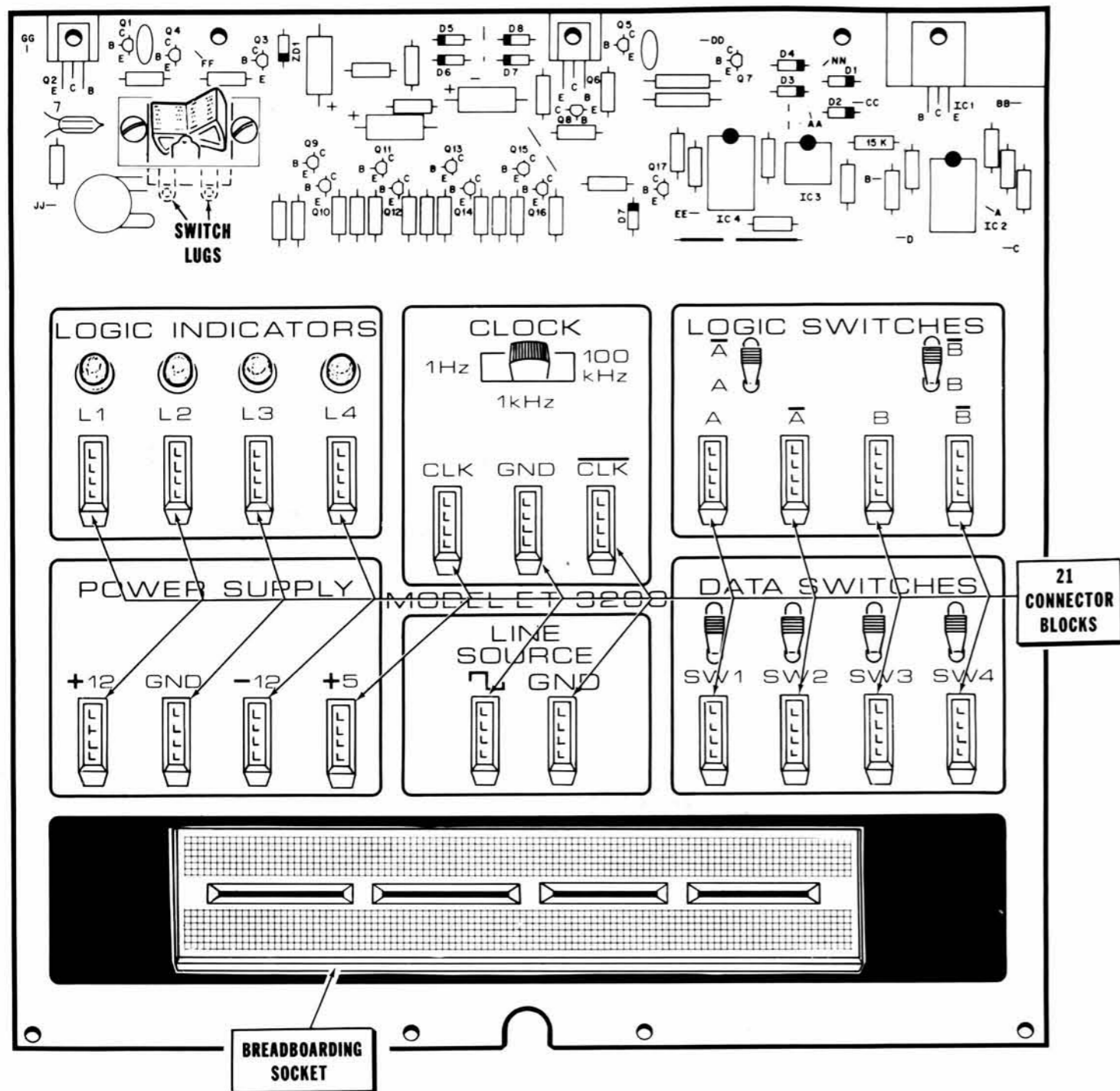
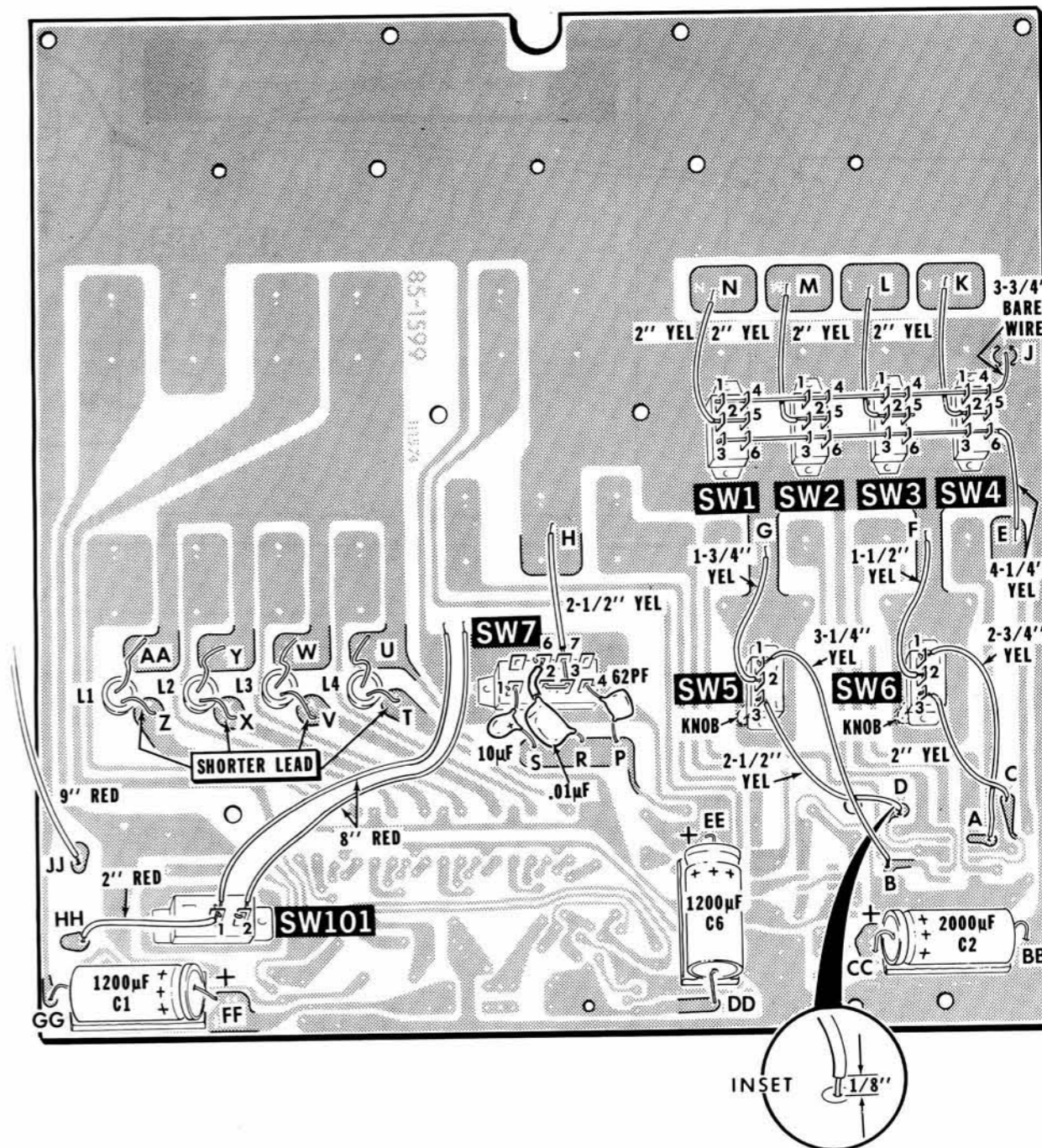


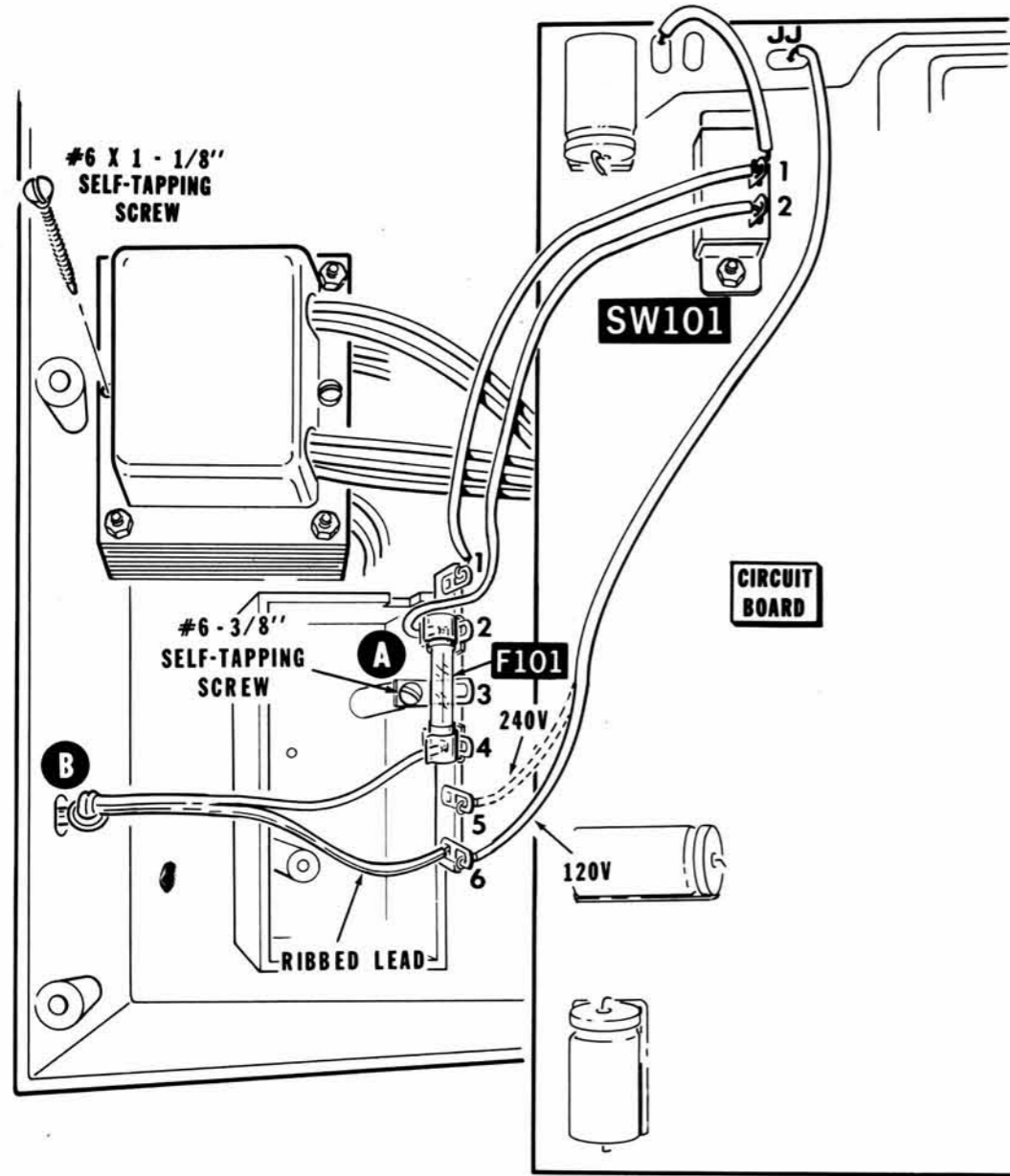
ILLUSTRATION BOOKLET



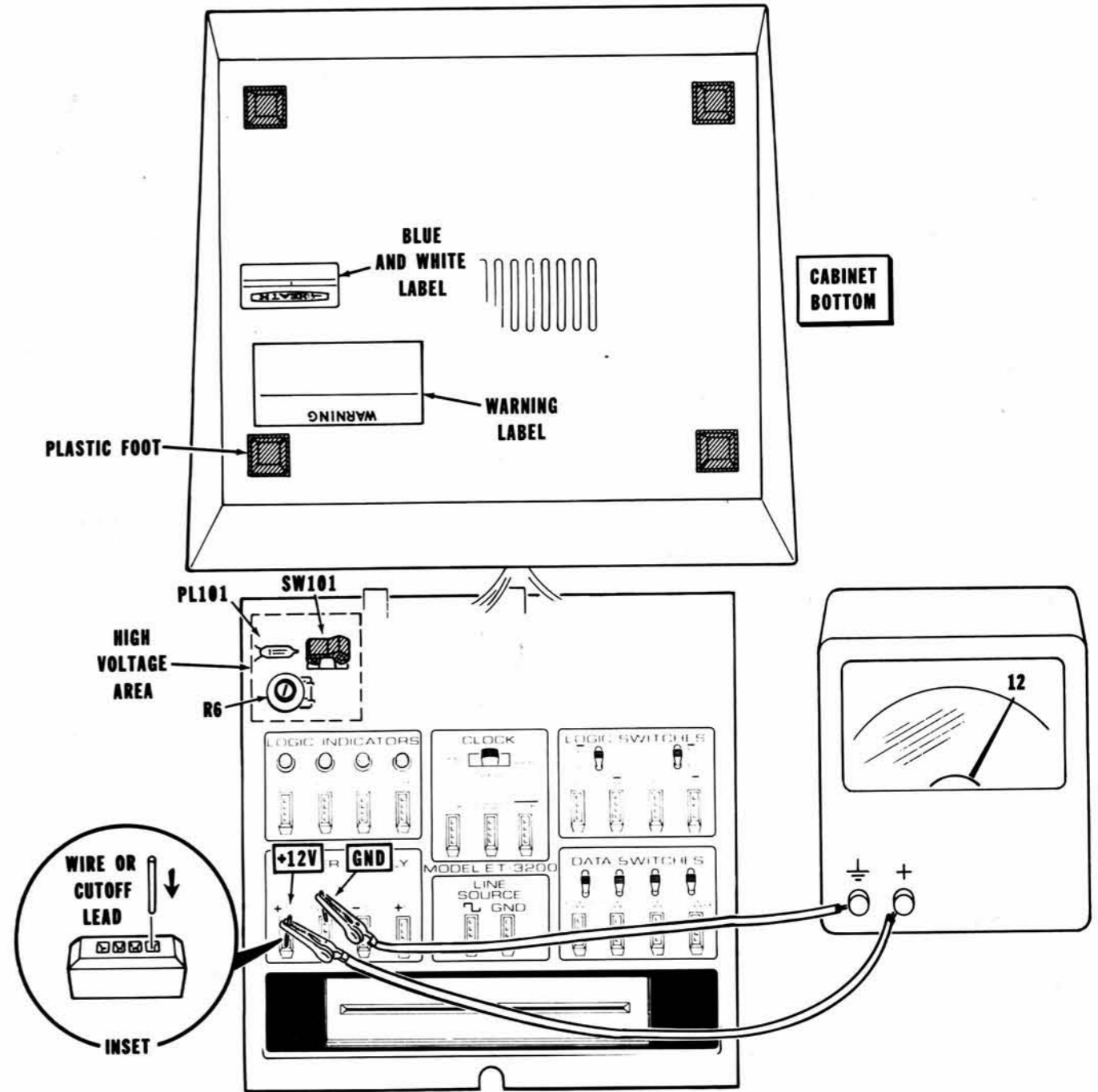
PICTORIAL 2-1



PICTORIAL 2-2

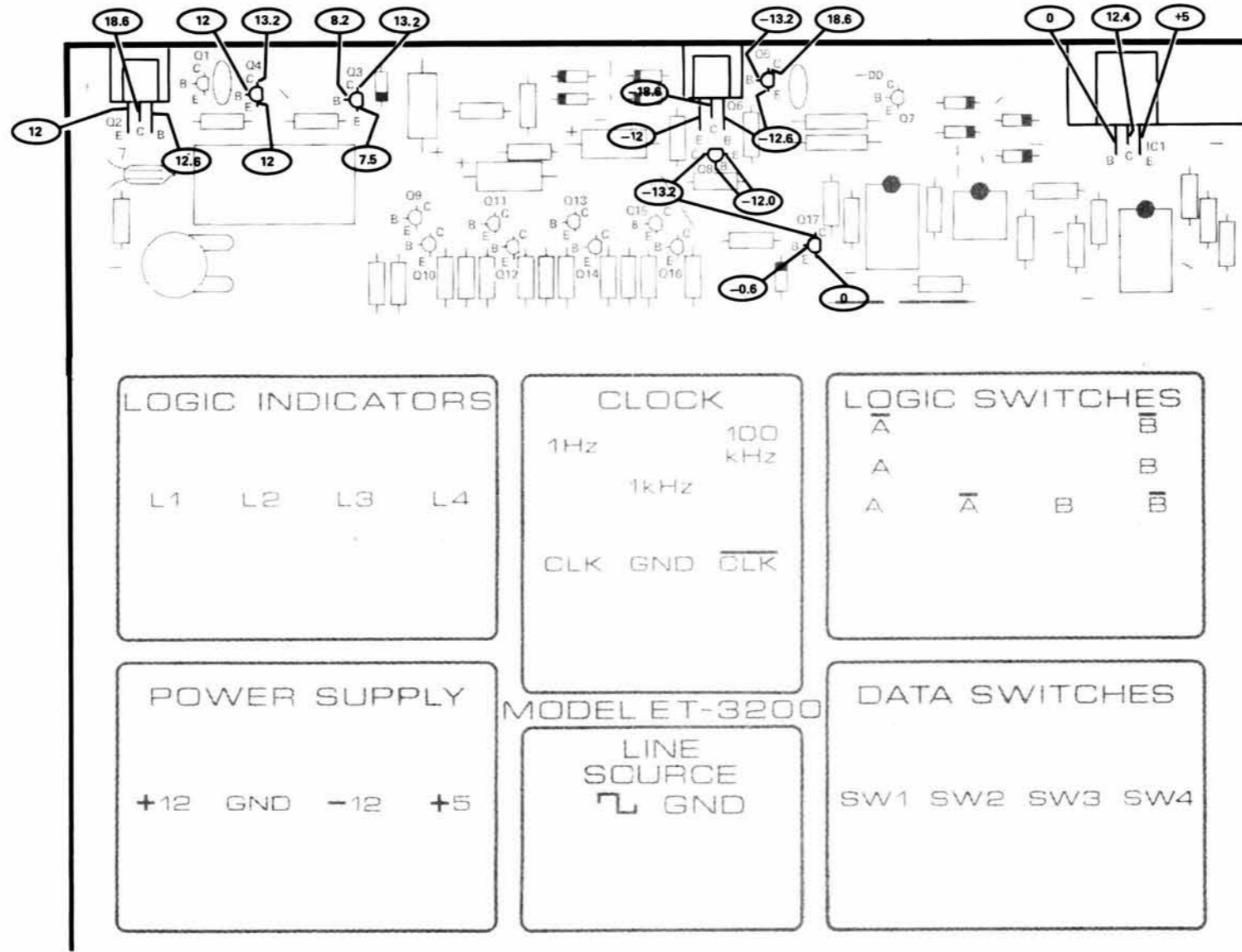


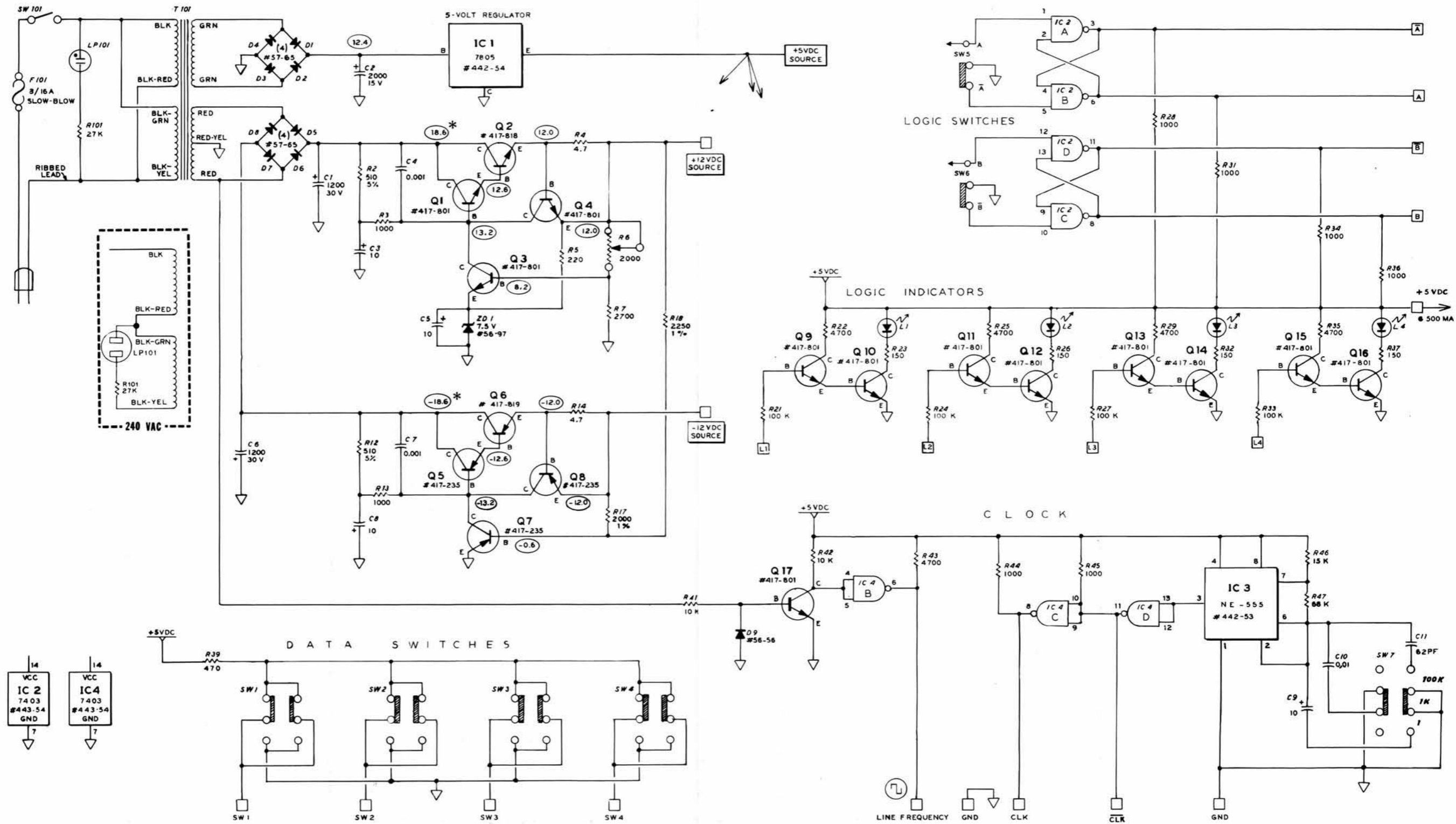
PICTORIAL 3-1



PICTORIAL 4-1

VOLTAGE CHART





SCHEMATIC OF THE

HEATHKIT®

DIGITAL DESIGN EXPERIMENTER

MODEL ET-3200

NOTES:

1. ALL RESISTOR VALUES ARE IN OHMS: K-1000.
2. ALL RESISTORS ARE 1/2 WATT, 10% UNLESS OTHERWISE INDICATED.
3. ALL CAPACITOR VALUES ARE IN μ F UNLESS OTHERWISE INDICATED.
4. THIS SYMBOL INDICATES CIRCUIT GROUND.
5. THIS SYMBOL INDICATES A DC VOLTAGE MEASURED WITH A HIGH IMPEDANCE VOLTMETER FROM THE POINT INDICATED TO CIRCUIT GROUND.
6. THESE VOLTAGES WILL VARY WITH THE LOAD.

Copyright © 1975
Heath Company
All rights reserved