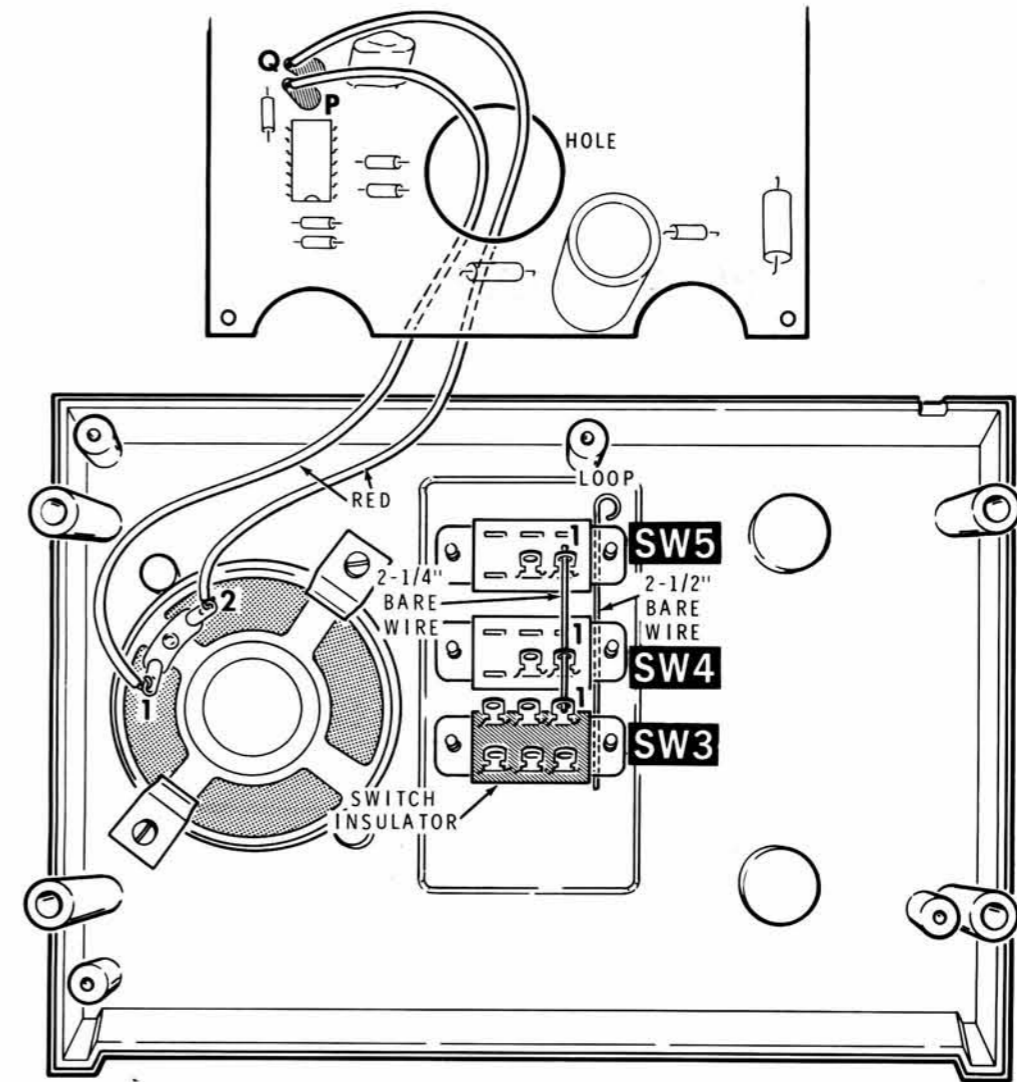
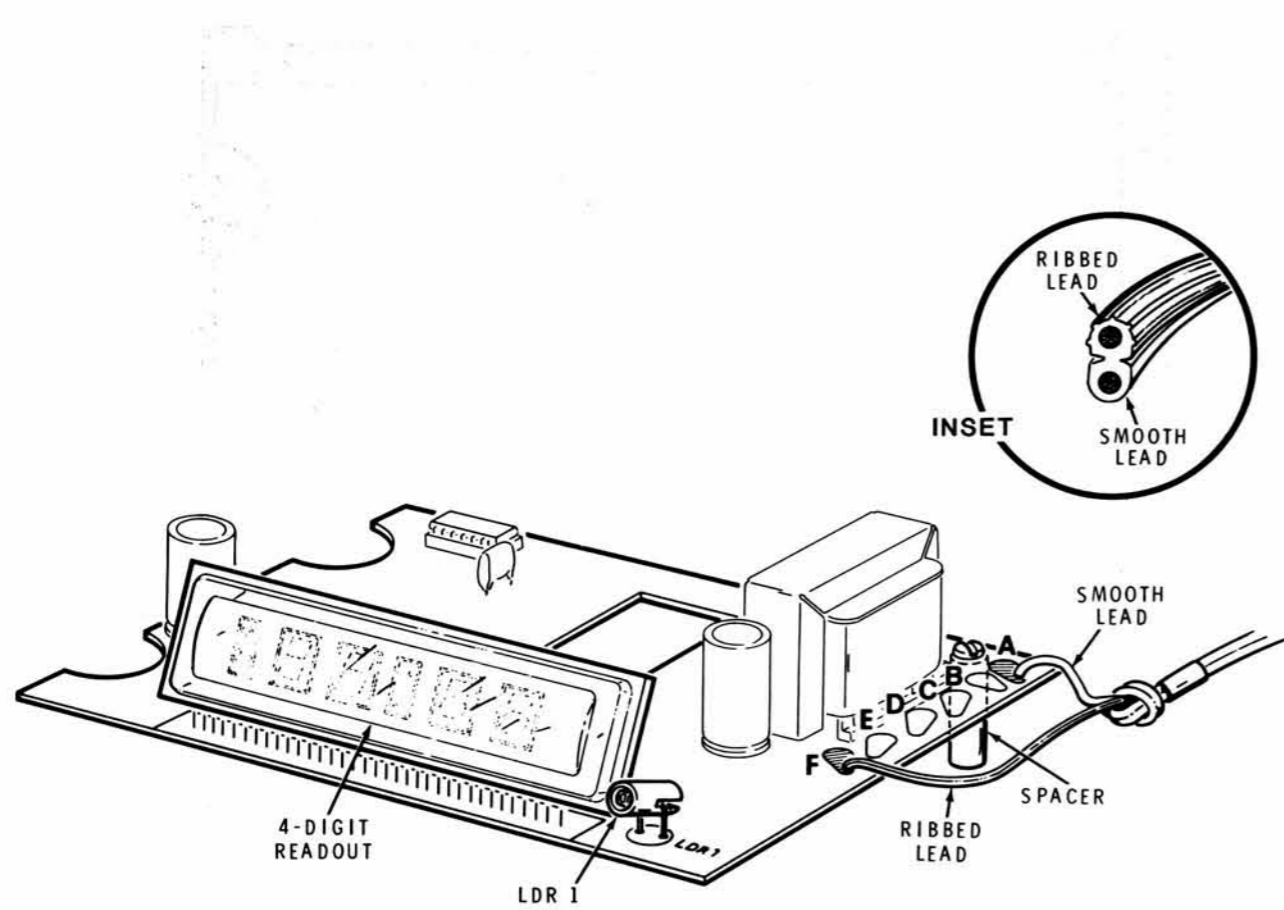


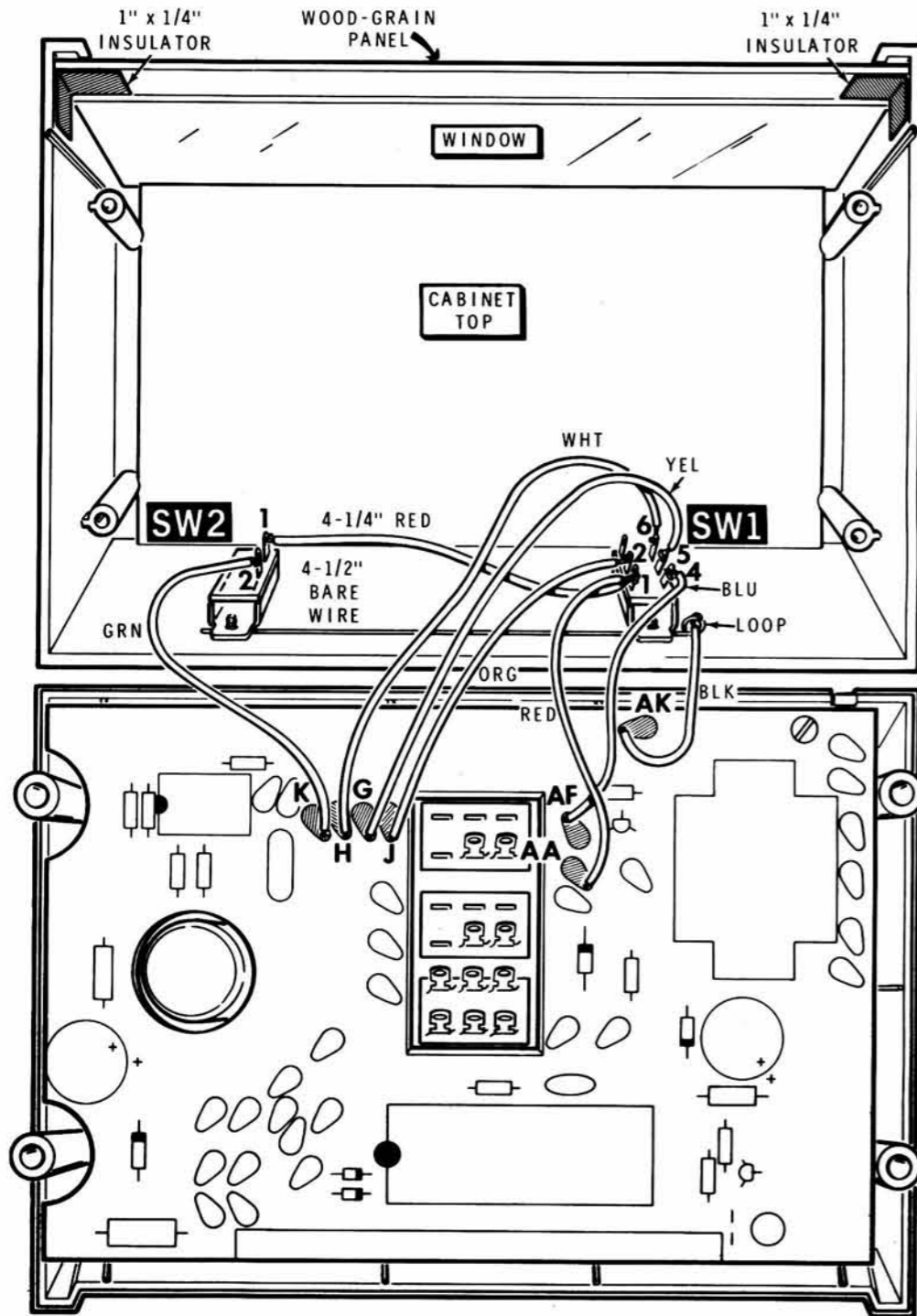
# ILLUSTRATION BOOKLET

Part of 595-2049-01

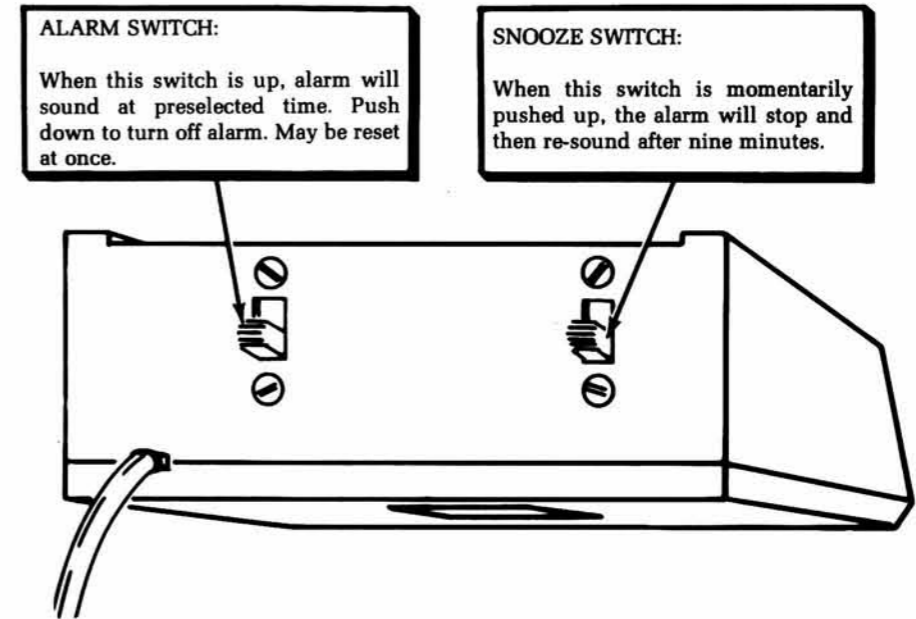


PICTORIAL 1-8

PICTORIAL 2-1



PICTORIAL 2-3



PICTORIAL 5-3