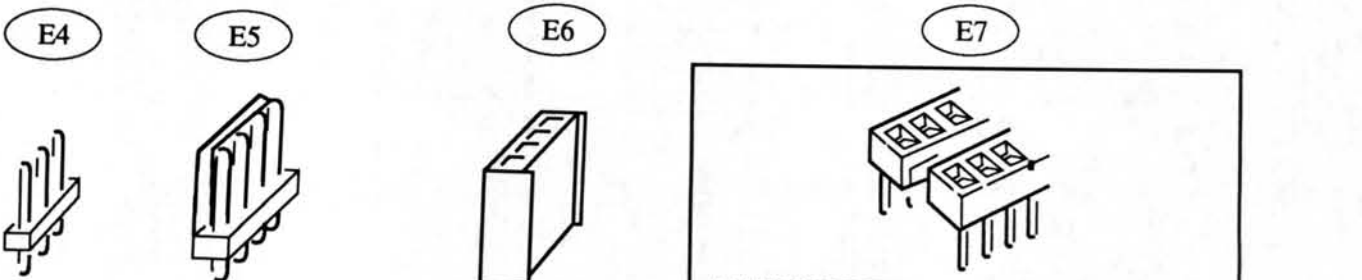
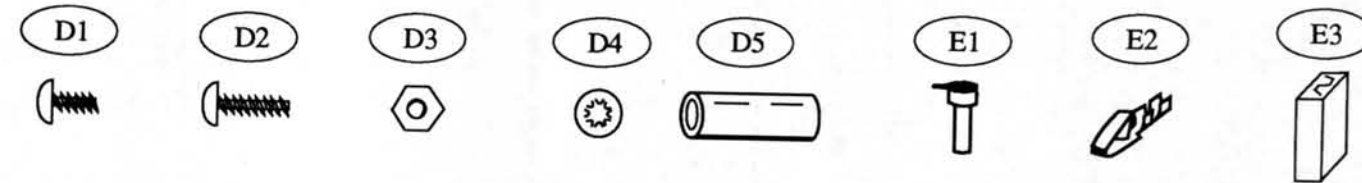
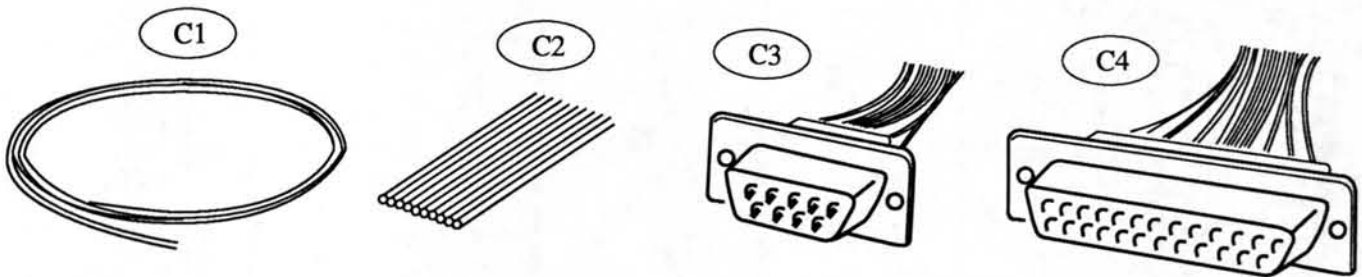
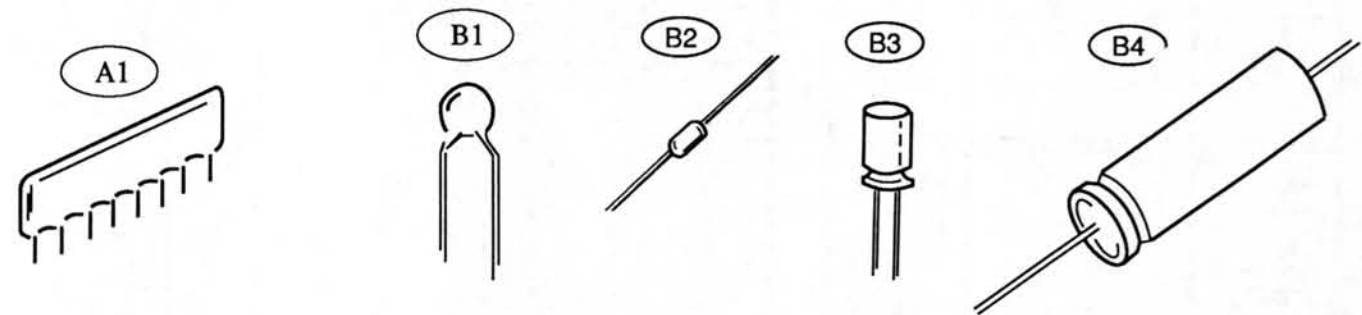
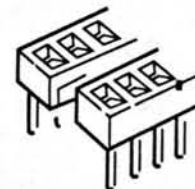


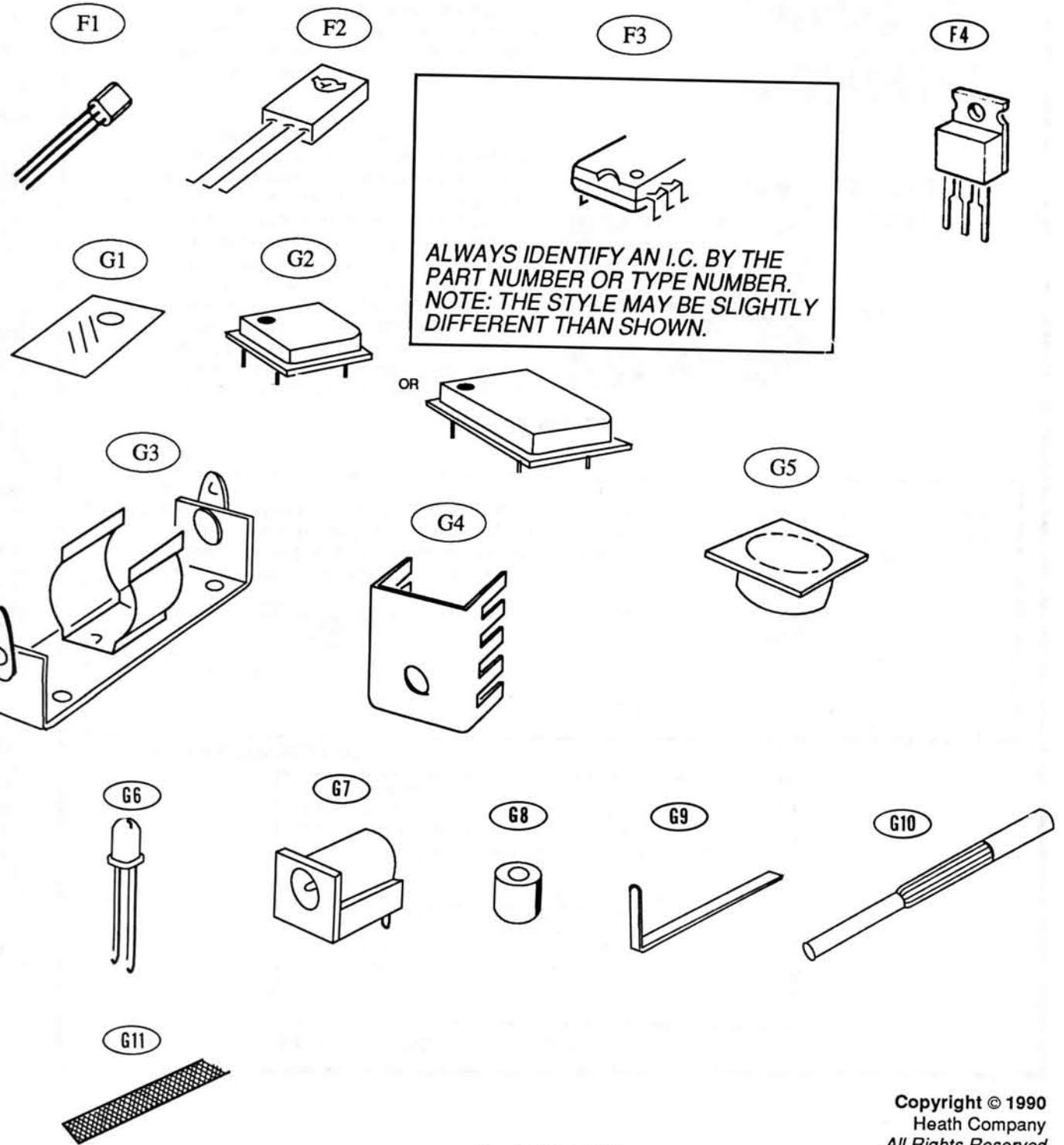
ILLUSTRATION BOOKLET


Part of 595-4090

CIRCUIT BOARD PARTS PICTORIAL



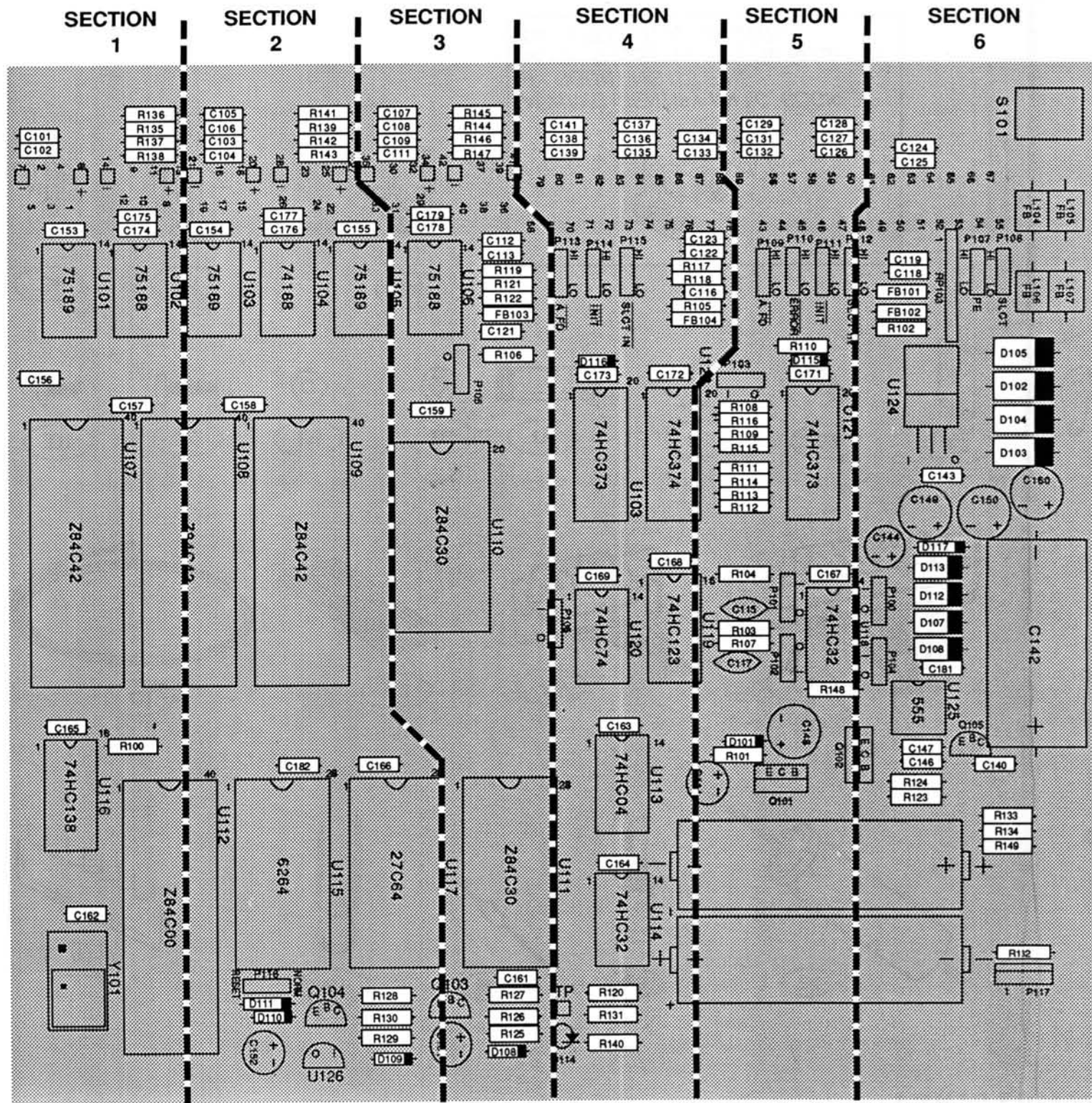

ALWAYS IDENTIFY AN I.C. SOCKET
BY COUNTING ITS PINS.
NOTE: THE STYLE MAY BE SLIGHTLY
DIFFERENT THAN SHOWN.




ALWAYS IDENTIFY AN I.C. BY THE
PART NUMBER OR TYPE NUMBER.
NOTE: THE STYLE MAY BE SLIGHTLY
DIFFERENT THAN SHOWN.

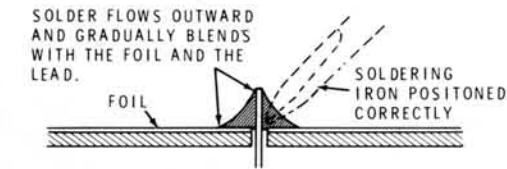
Model HC-1032

Copyright © 1990
Heath Company
All Rights Reserved
Printed in the United States of America



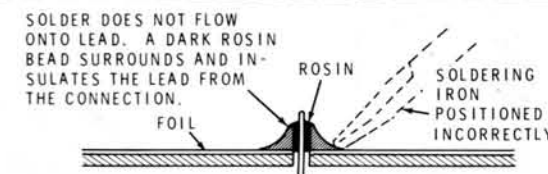
PICTORIAL 1-1

A GOOD SOLDER CONNECTION

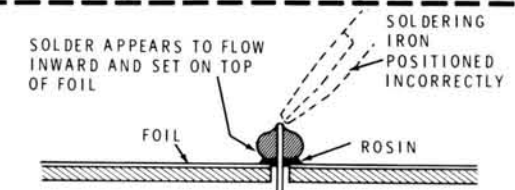


SOLDER FLOWS OUTWARD AND GRADUALLY BLENDS WITH THE FOIL AND THE LEAD.
 When you heat the lead and the circuit board foil at the same time, the solder will flow evenly onto the lead and the foil. The solder will make a good electrical connection between the lead and the foil.

POOR SOLDER CONNECTIONS



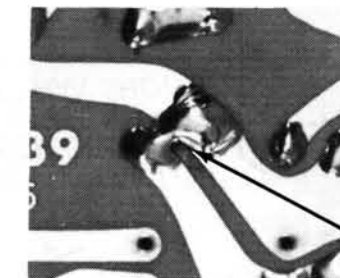
SOLDER DOES NOT FLOW ONTO LEAD. A DARK ROSIN BEAD SURROUNDS AND INSULATES THE LEAD FROM THE CONNECTION.
 When the lead is not heated sufficiently, the solder will not flow onto the lead as shown above. To correct, reheat the connection and, if necessary, apply a small amount of additional solder to obtain a good connection.



SOLDER APPEARS TO FLOW INWARD AND SET ON TOP OF FOIL.
 When the foil is not heated sufficiently the solder will blob on the circuit board as shown above. To correct, reheat the connection and, if necessary, apply a small amount of additional solder to obtain a good connection.

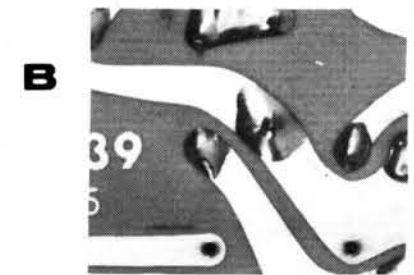
SOLDER BRIDGES

A solder bridge between two adjacent foils is shown in photograph A. Photograph B shows how the connection should appear. A solder bridge may occur if you accidentally touch an adjacent previously soldered connection, if you use too much solder, or if you "drag" the soldering iron across other foils as you remove it from the connection. A good rule to follow is: always take a good look at the foil area around each lead before you solder it. Then, when you solder the connection, make sure the solder remains in this area and does not bridge to another foil. This is especially important when the foils are small and close together. NOTE: It is alright for solder to bridge two connections on the same foil.



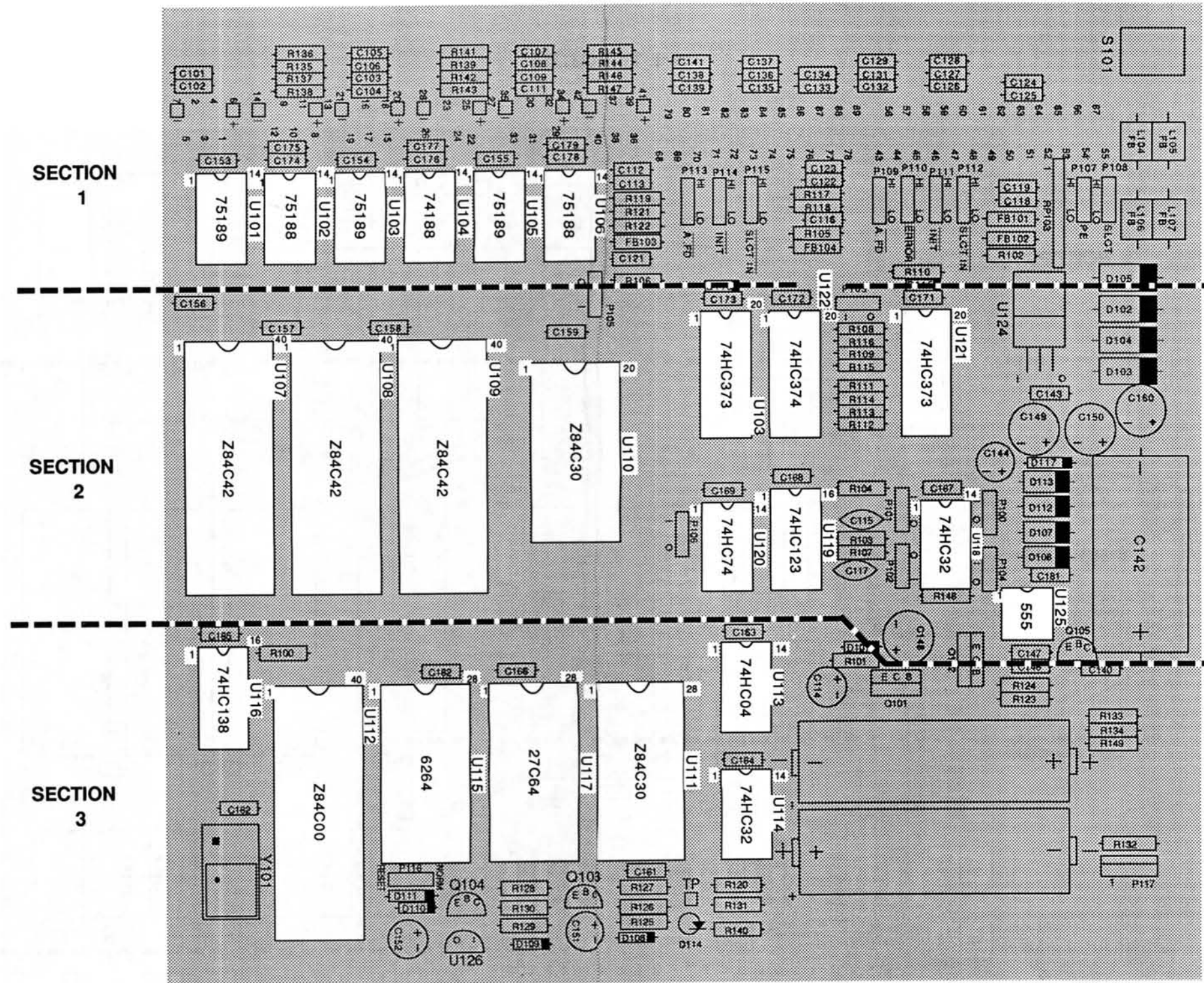
A
SOLDER BRIDGE

Use only enough solder to make a good connection, and lift the soldering iron straight up from the circuit board. If a solder bridge should develop, turn the circuit board foil-side-down and heat the solder between connections. The excess solder will run onto the tip of the soldering iron, and this will remove the solder bridge. NOTE: The foil side of most circuit boards has a coating on it called "solder resist." This is a protective insulation to help prevent solder bridges.

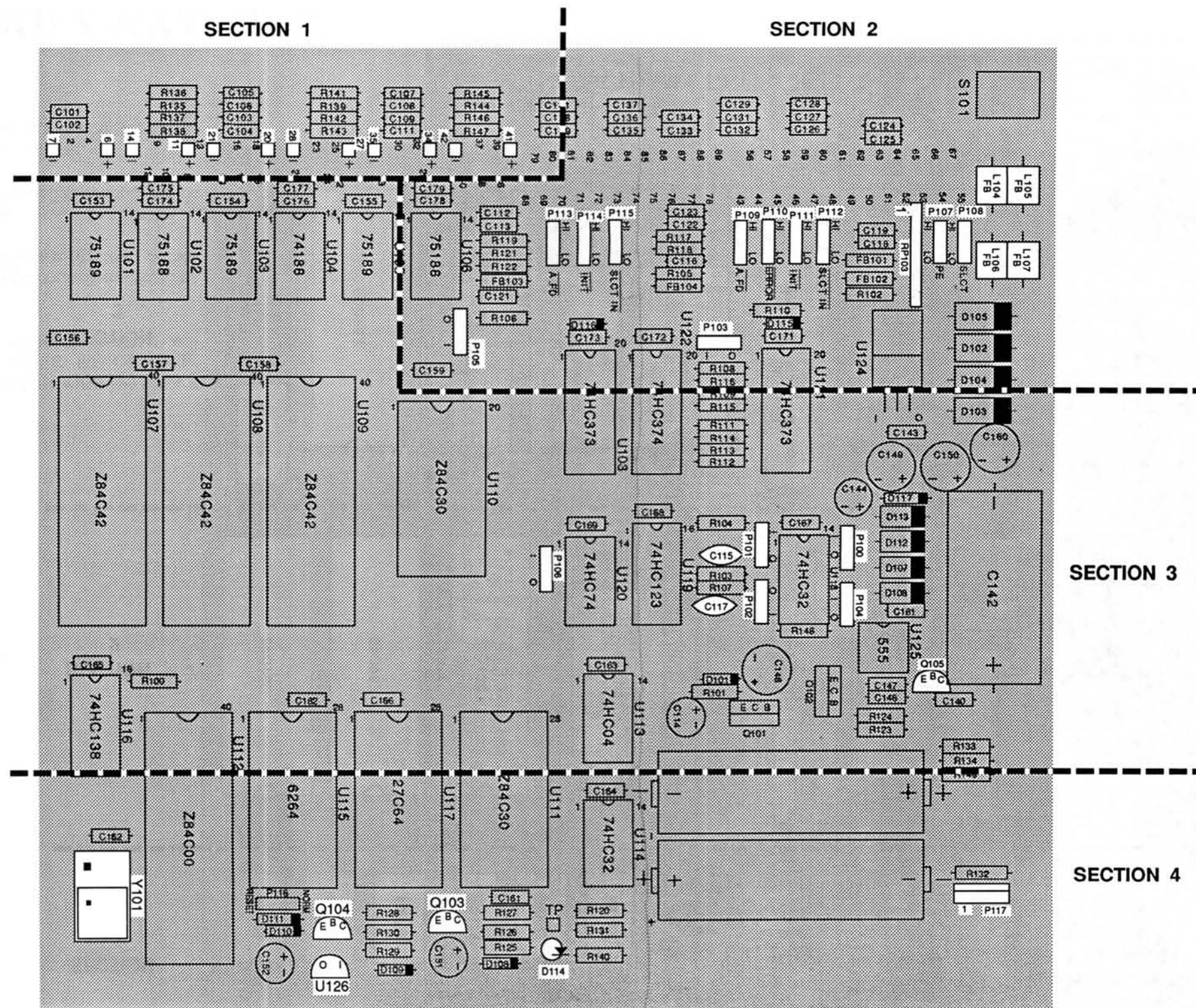


B

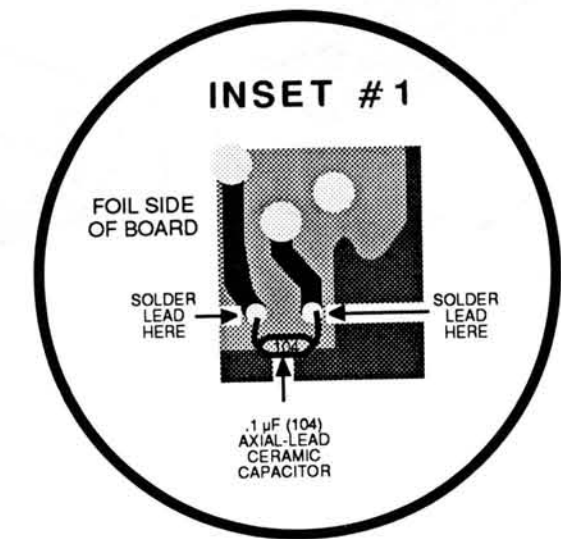
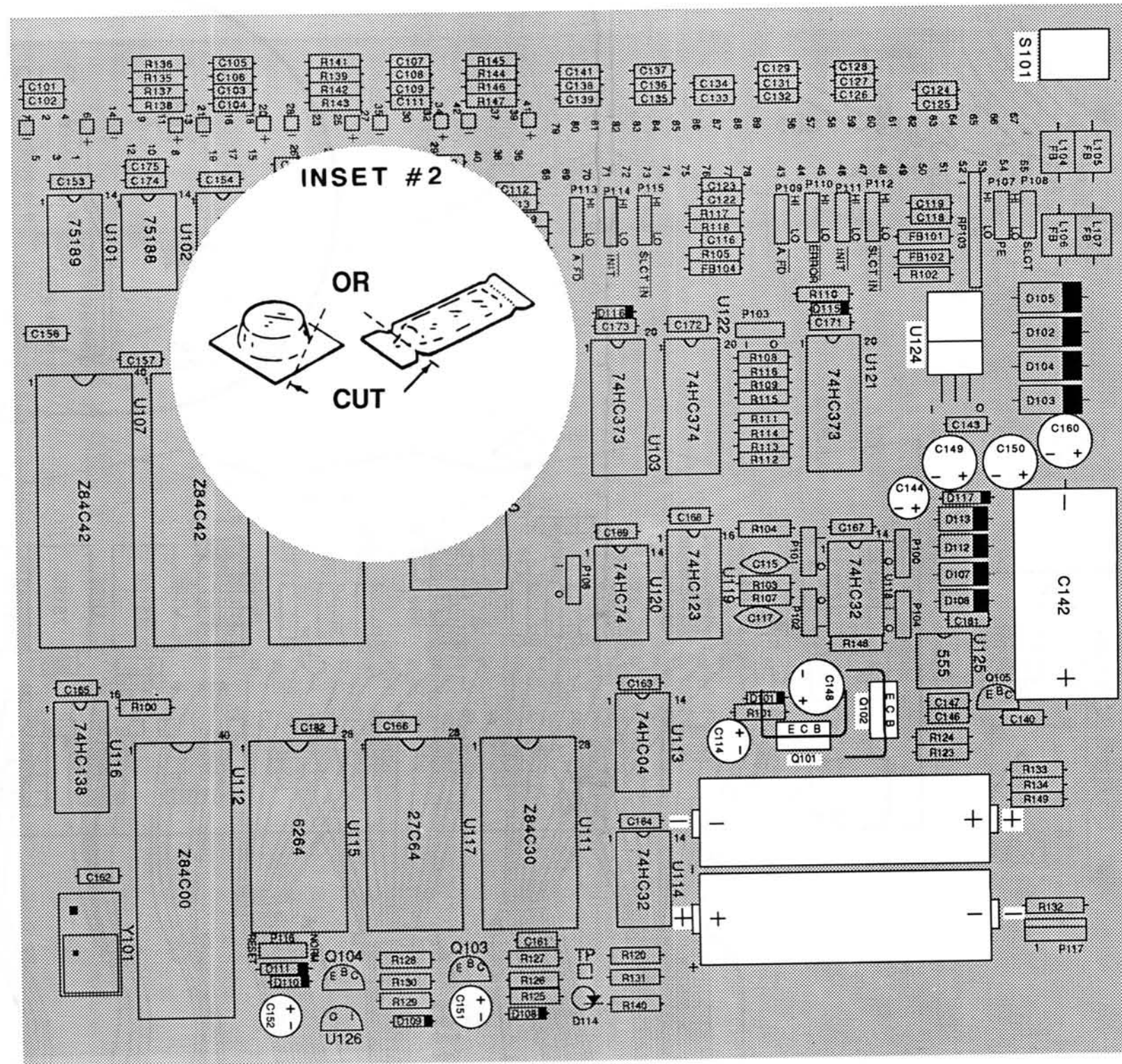
Detail 1-1A



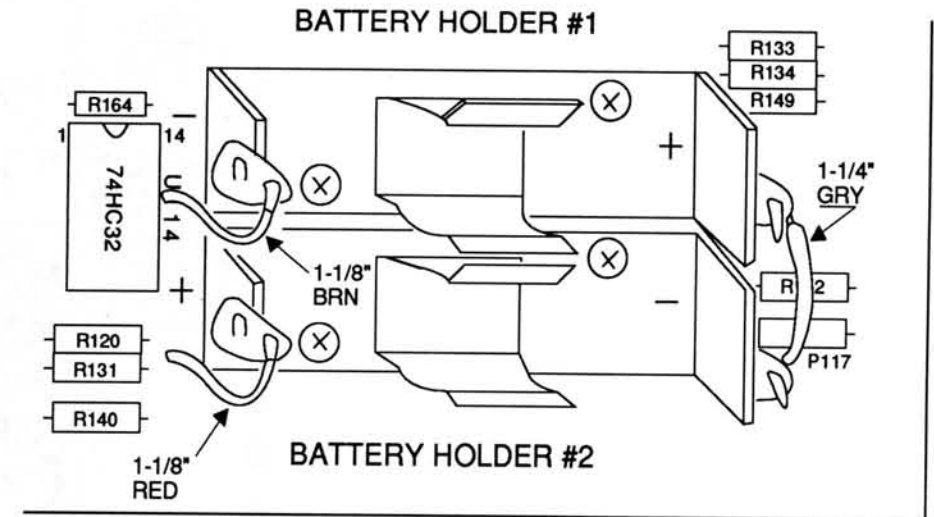
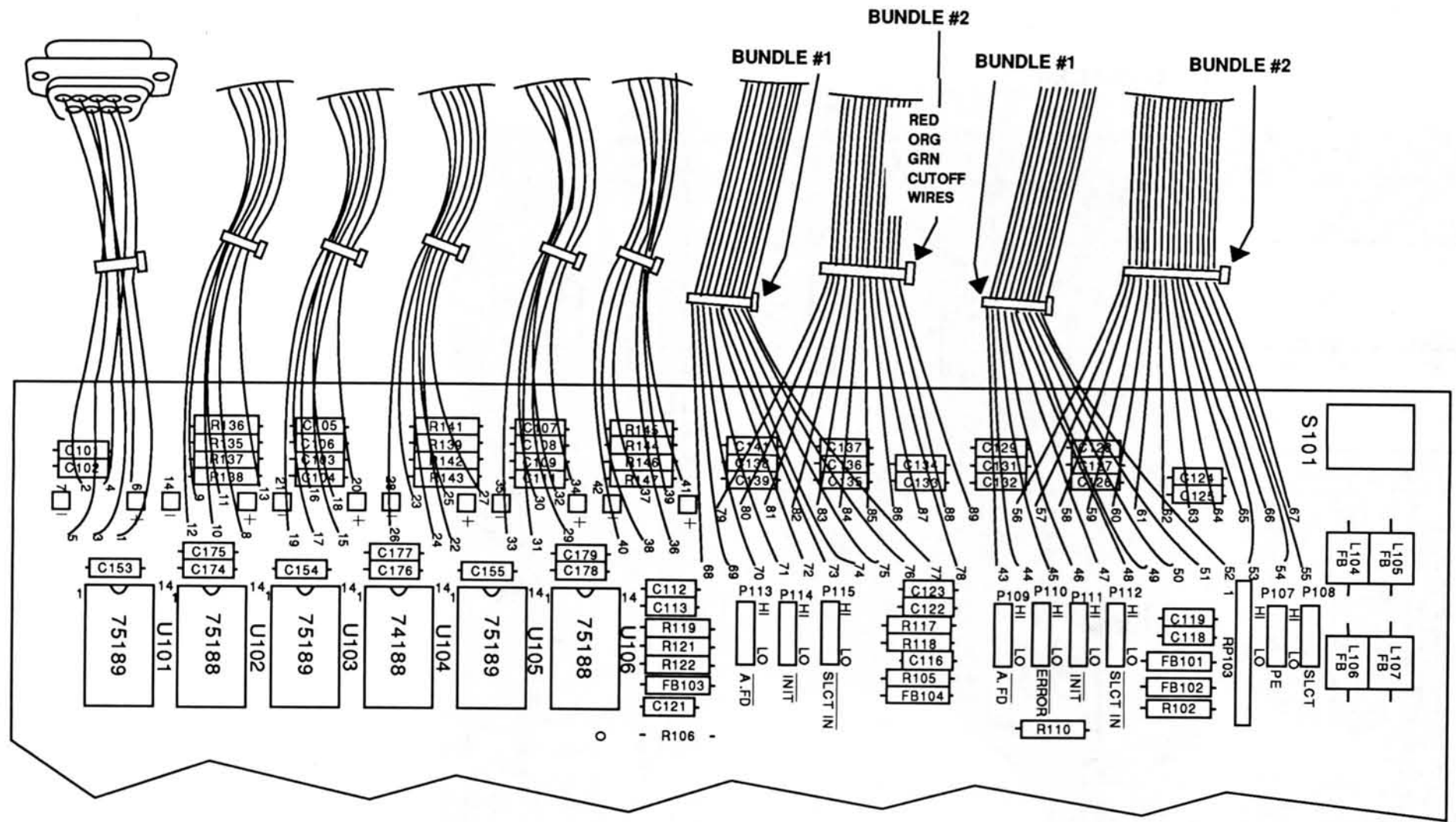
PICTORIAL 1-2



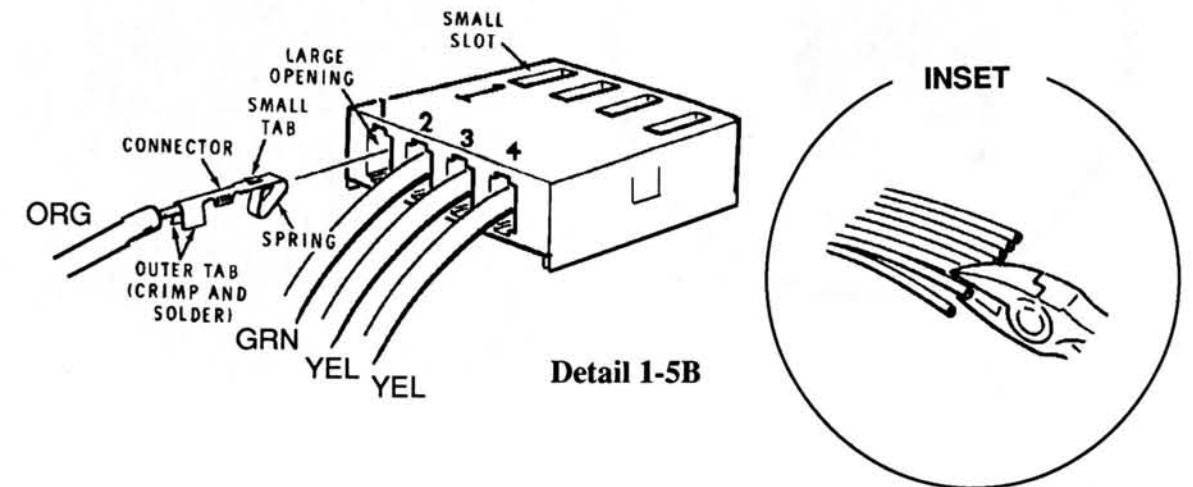
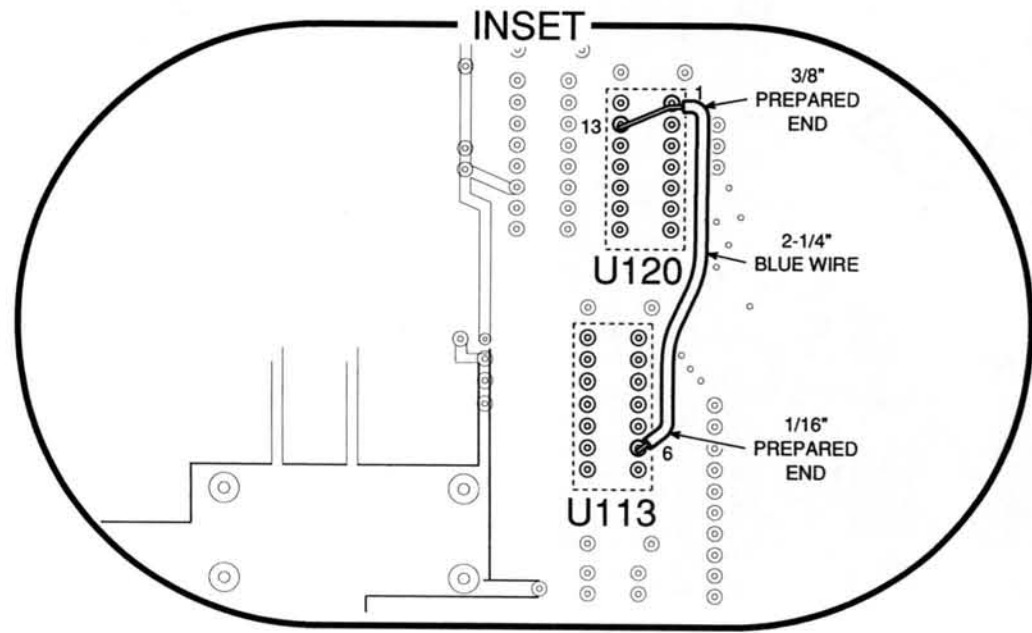
PICTORIAL 1-3



PICTORIAL 1-4

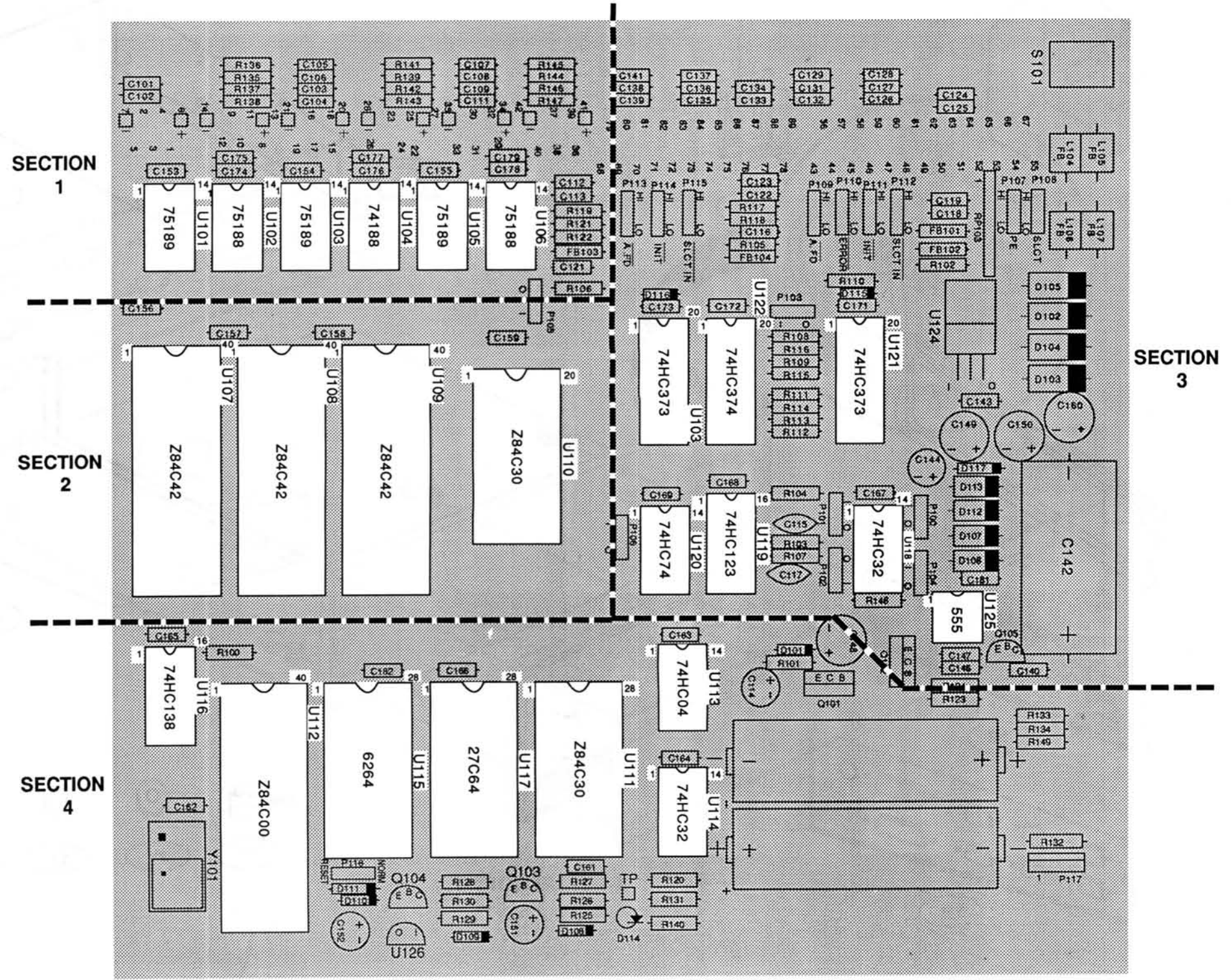


Detail 1-5A



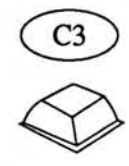
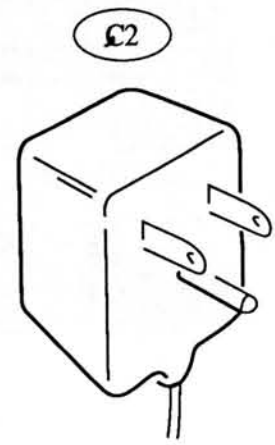
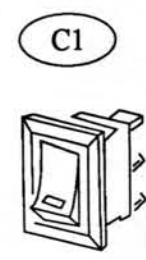
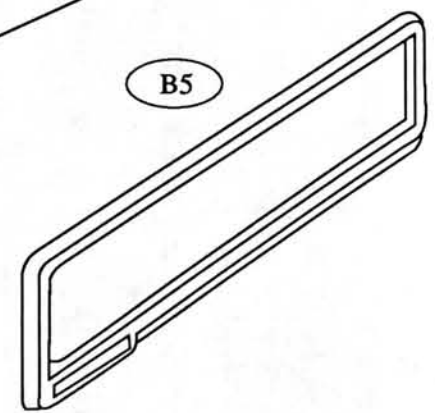
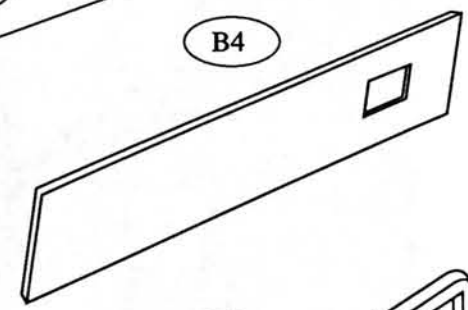
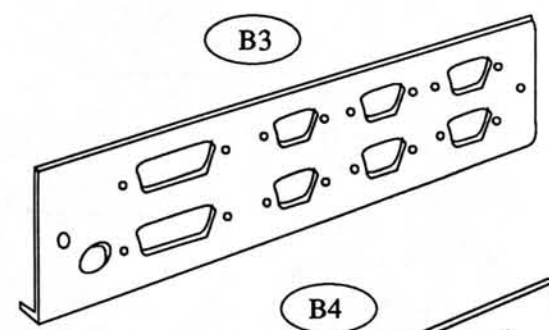
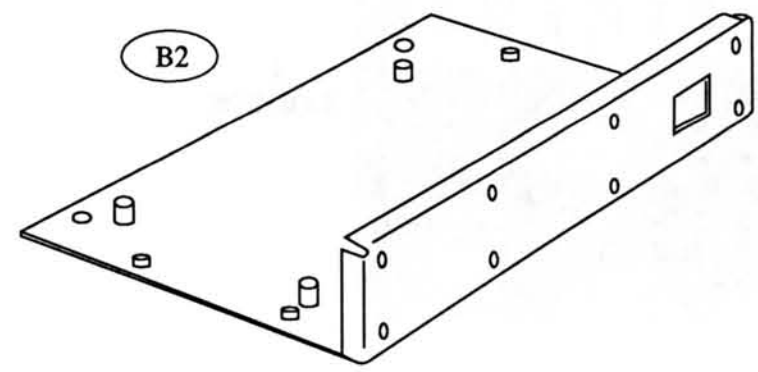
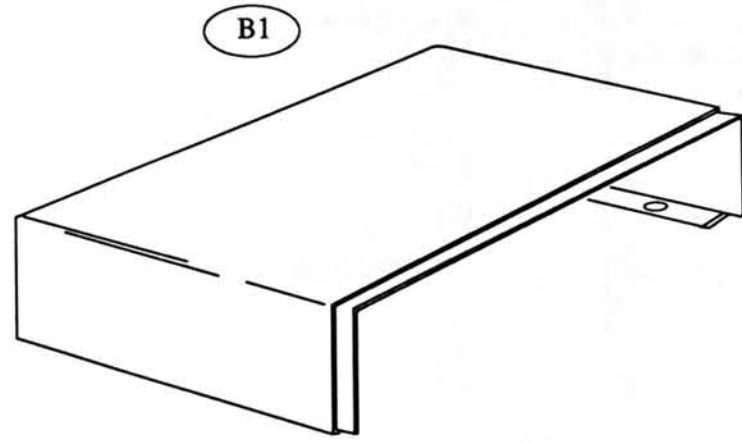
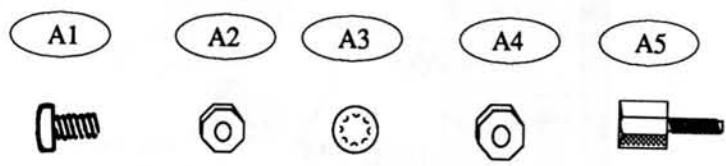
Detail 1-5B

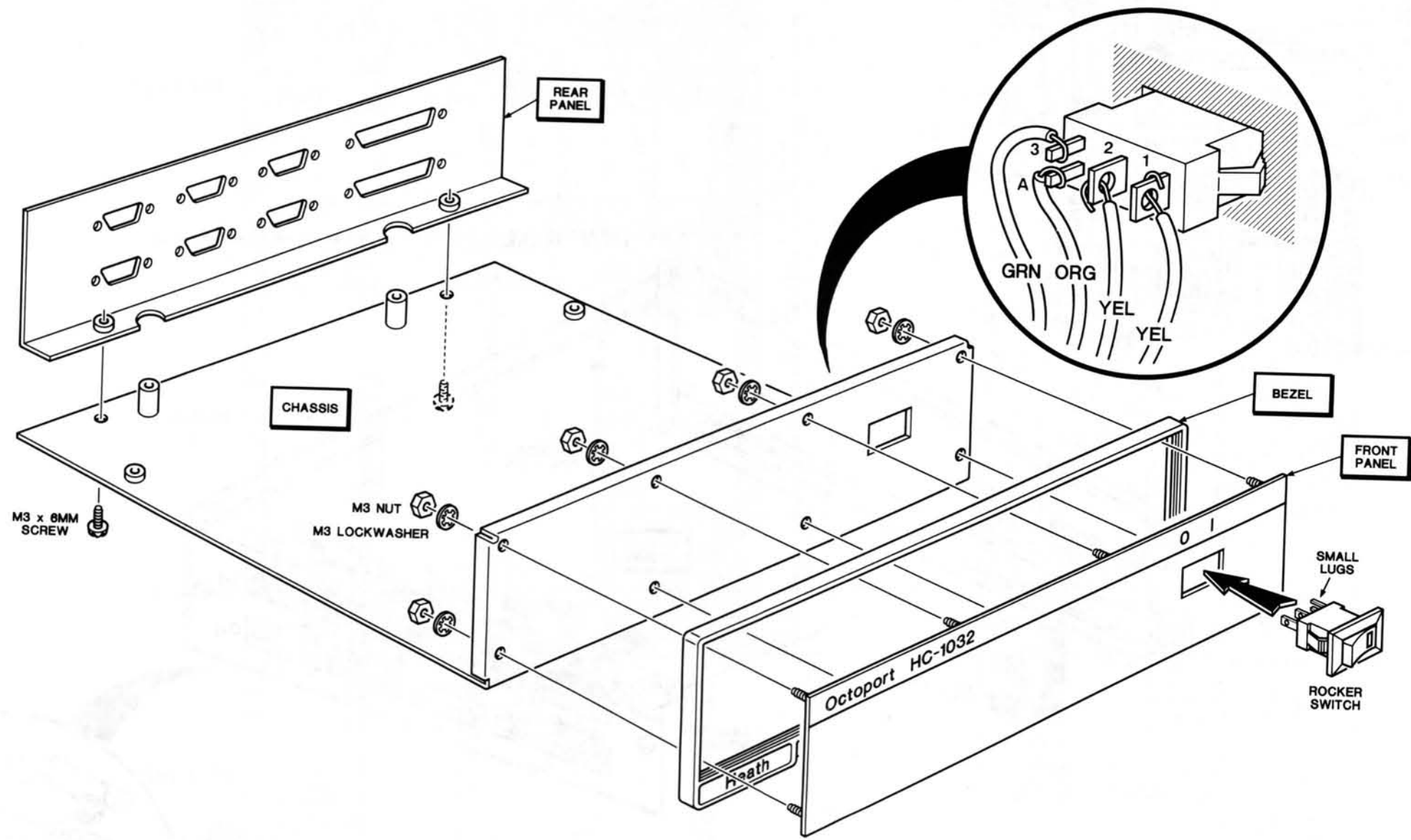
PICTORIAL 1-5



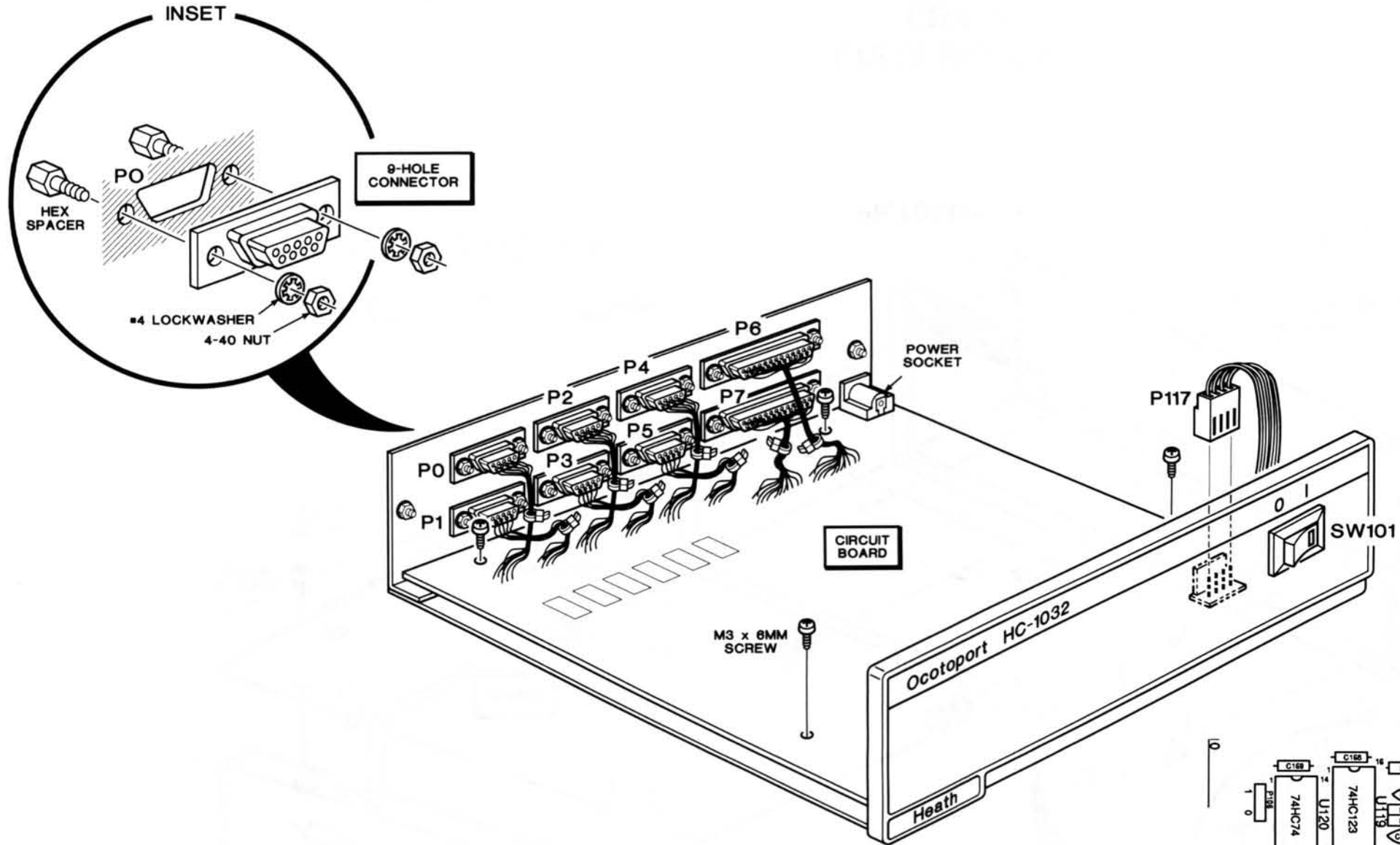
PICTORIAL 1-6

CHASSIS PARTS PICTORIAL

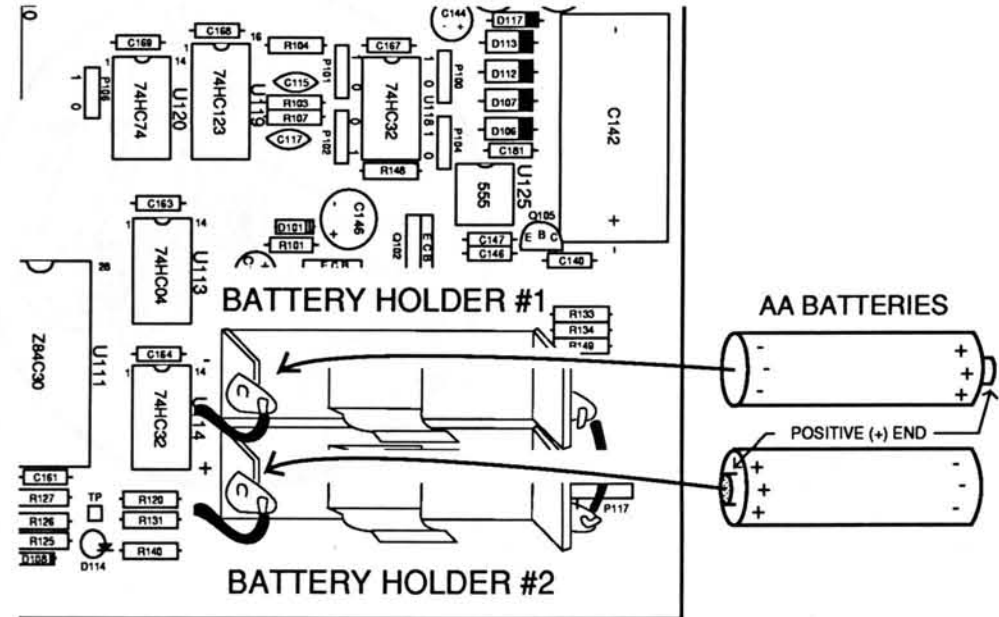




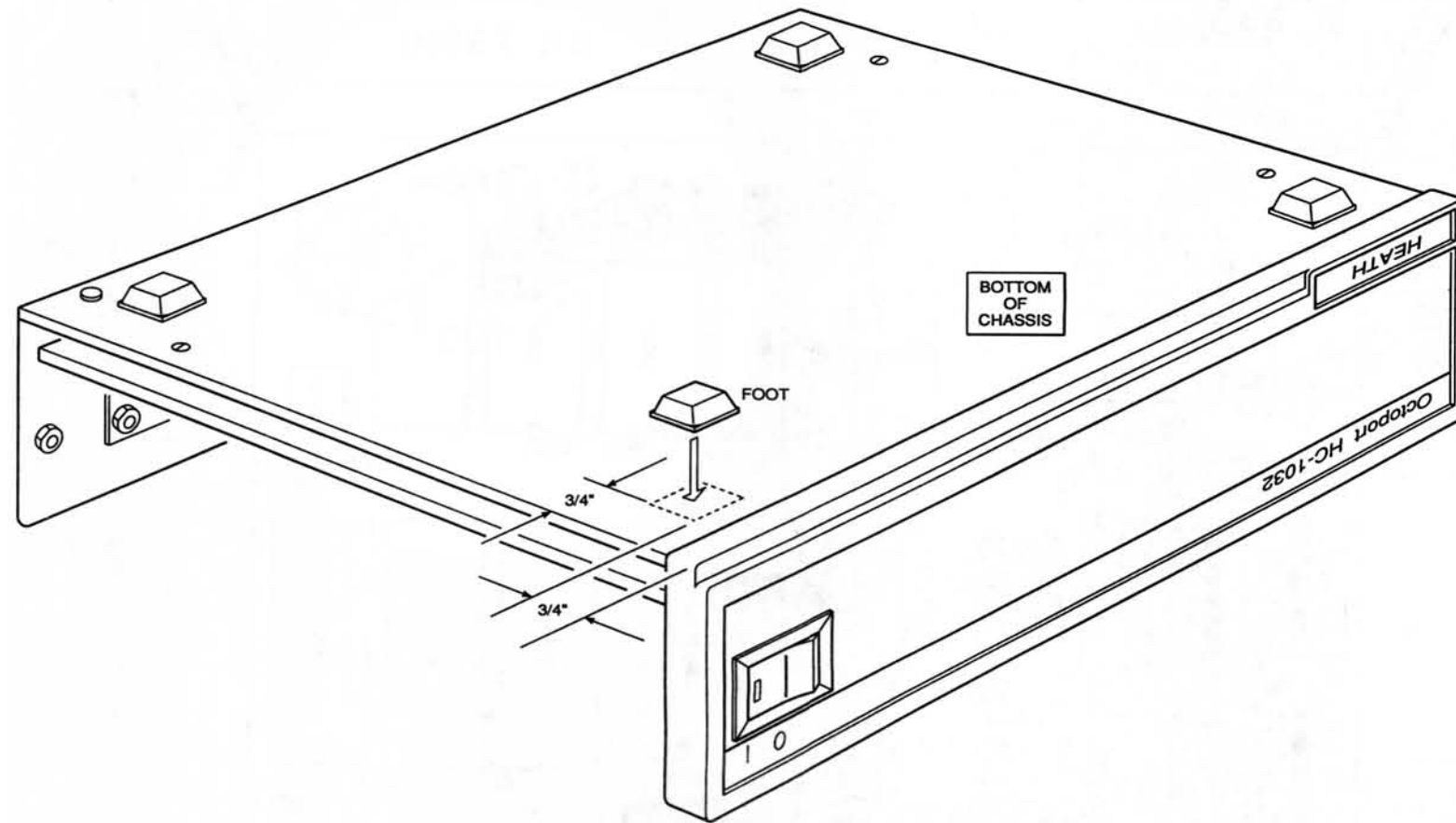
PICTORIAL 2-1



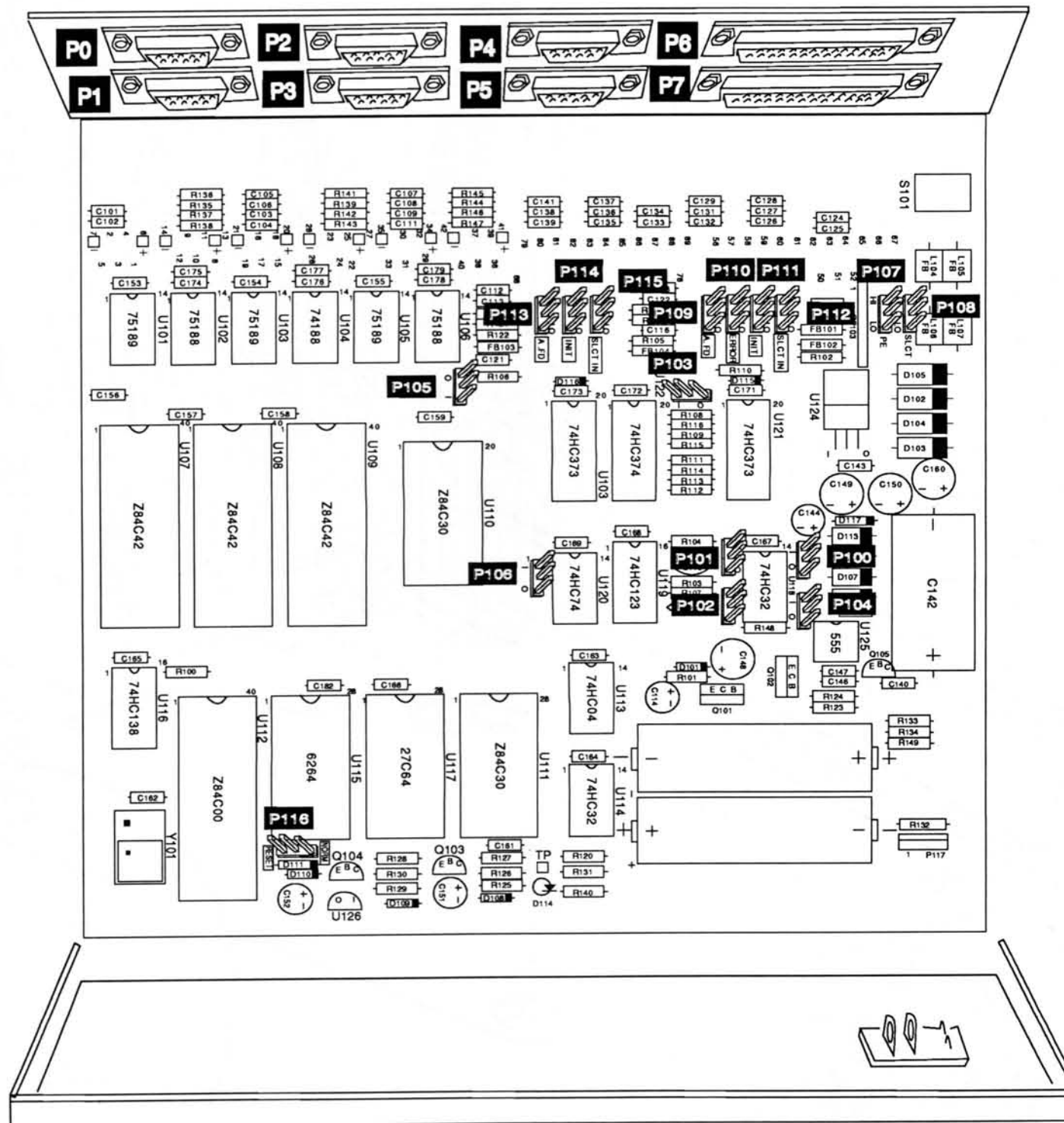
PICTORIAL 2-2



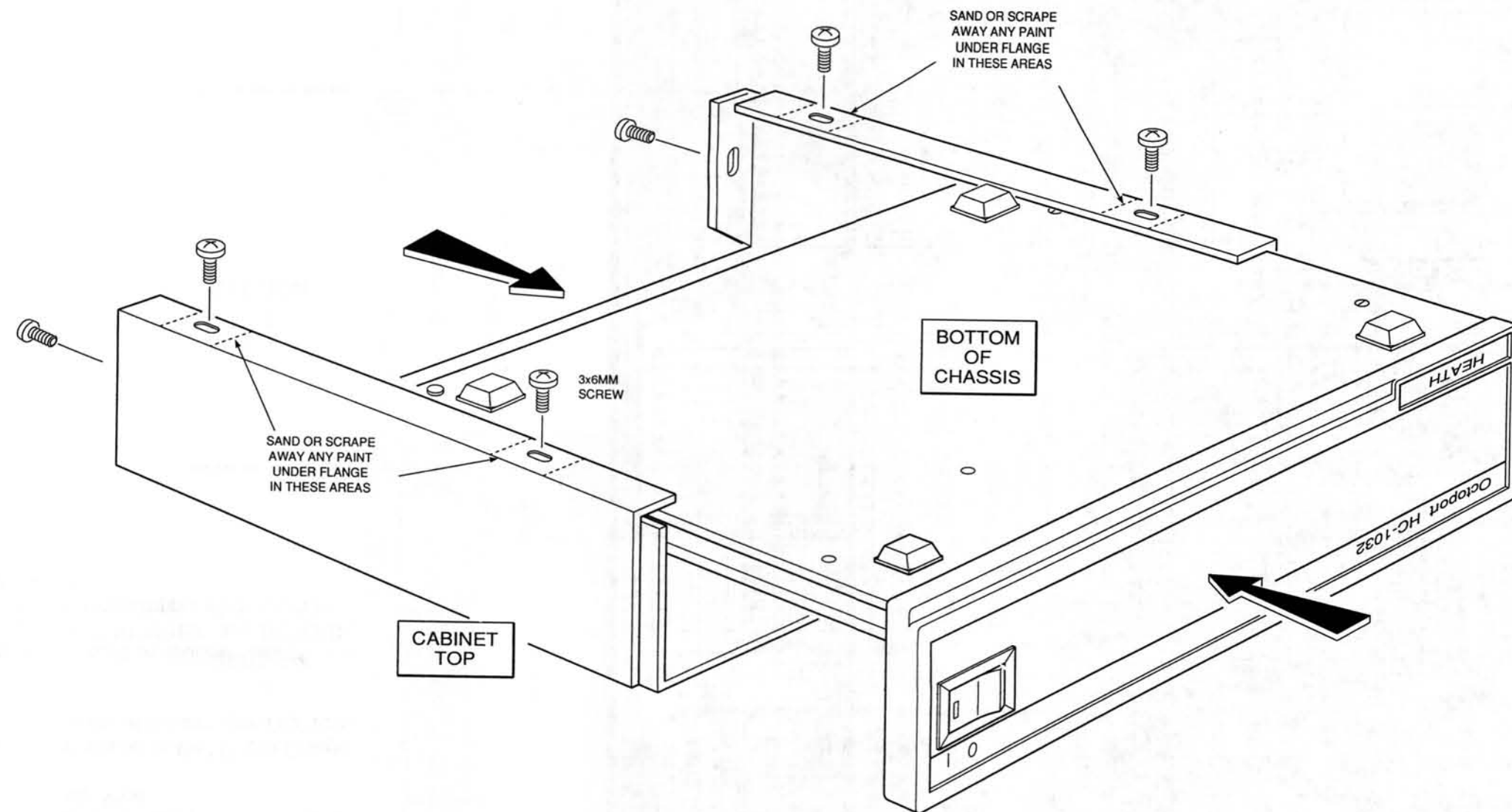
Detail 2-2A



Detail 2-2B



PICTORIAL 3-1

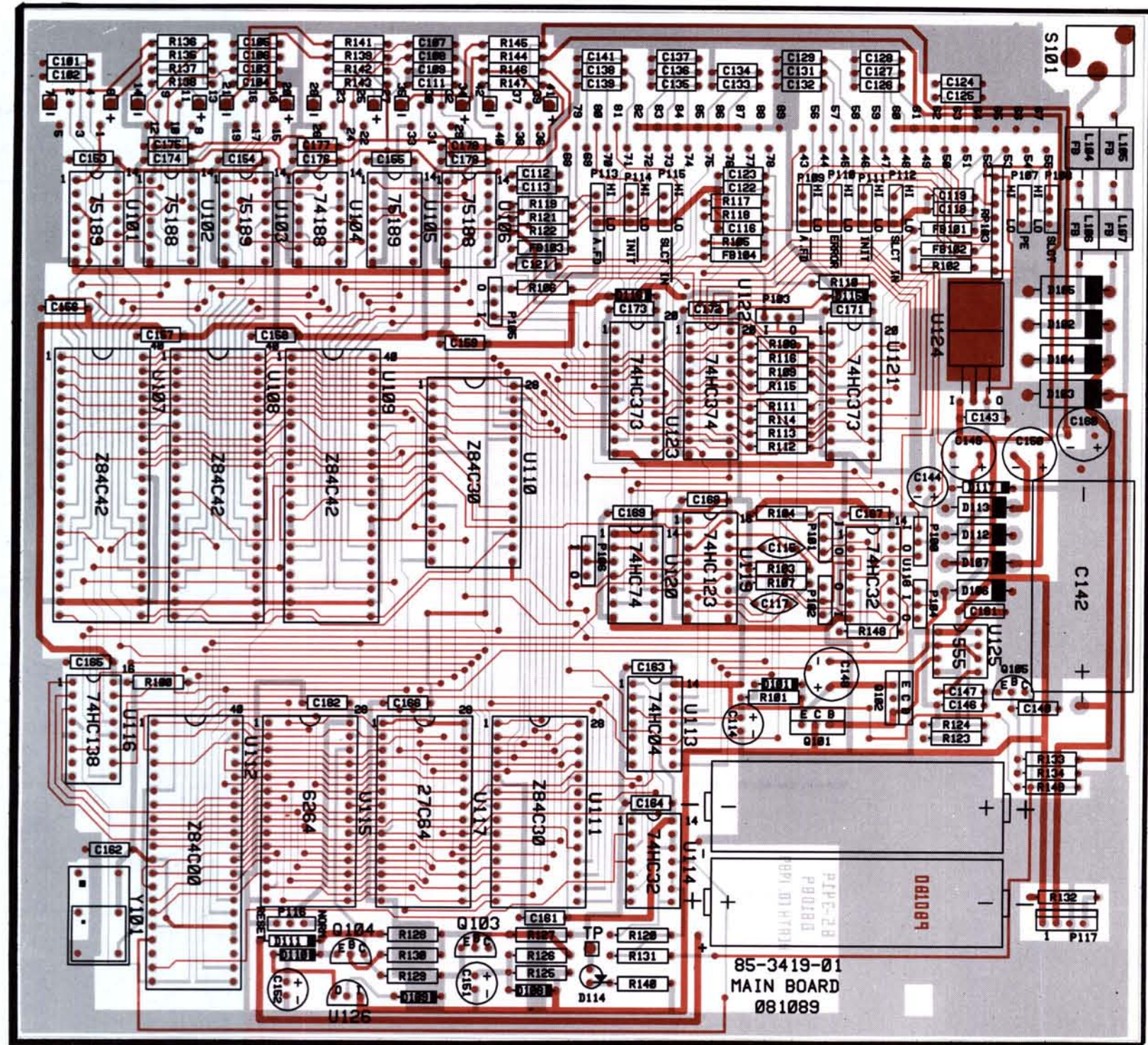


PICTORIAL 3-2

CIRCUIT BOARD X-RAY VIEW

To find the PART NUMBER of a component for the purpose of ordering a replacement part:

- A. Find the circuit component part number on the appropriate X-Ray View.
- B. Locate the same number in the "Circuit Component Number" column of the corresponding "Parts List".
- C. Adjacent to the circuit component number, you will find the PART NUMBER and DESCRIPTION, which you must supply when you order a replacement part.



CIRCUIT BOARD
(Shown from the component side. The foil on the component side is shown in red.)

ILLUSTRATION 1.1

Figure 1.1

