



## IMPORTANT NOTICE

Please make the following Manual changes before you start to assemble your kit.

Page 1 — Please remove Page 1 from your Manual and replace it with the new Page 1 attached to this notice.

Page 9 — Right column.

Change:	F10	90-1471-1	1	Chassis
To:	F10	200-1471-1	1	Chassis

Page 16 — Left column. Cut out the following new step and tape it over the last step.

( ) Remove the nuts (if they have been installed) from the 100 k $\Omega$  (#10-1218) and two 1 M $\Omega$  (#10-1219) controls. Do not remove the flat washers. If the control hardware is packed loose, install a control flat washer, a control solder lug, and a control nut over each control shaft. Position the solder lugs as shown in Detail 1-4A and tighten the control nuts securely.

Page 20 — Left column, last step. Change the second and third lines to read:

“...#1. Cut the shorter of the two leads to 1/2” and the other lead to 5/8”.

Page 21 — Left column, last paragraph. Add the following line:

“The lug numbers are stamped on the jack”.

Page 23 — Left column, sixth step. Change the third line to read:

“...greater than 7 k $\Omega$ . If you do not get...

— Right column. Cut out the new Pictorial 3-1 and tape it over the old Pictorial.

## ILLUSTRATION BOOKLET

Page 2 — Cut out the new Pictorial 1-4 and tape it over the old one.

Thank You,  
HEATH COMPANY



# Heathkit® Manual

*for the*

## **MICROLIZER** Model HD-1986

595-3187-01

## TABLE OF CONTENTS

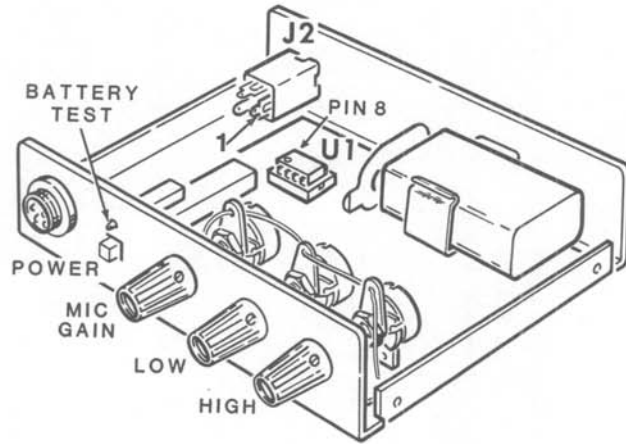
Introduction .....	2	Specifications .....	28
Assembly Notes .....	3	Circuit Description .....	29
Parts List .....	7	Semiconductor Identification Charts .....	30
Step-By-Step Assembly .....	10	Circuit Board X-Ray View .....	31
Initial Tests .....	23	Schematic Diagram .. Illustration Booklet, Page 5.	
Operation .....	25	Warranty .....	Inside front cover
In Case Of Difficulty .....	26	Customer Service .....	Inside rear cover
Troubleshooting Chart .....	27		

## INTRODUCTION

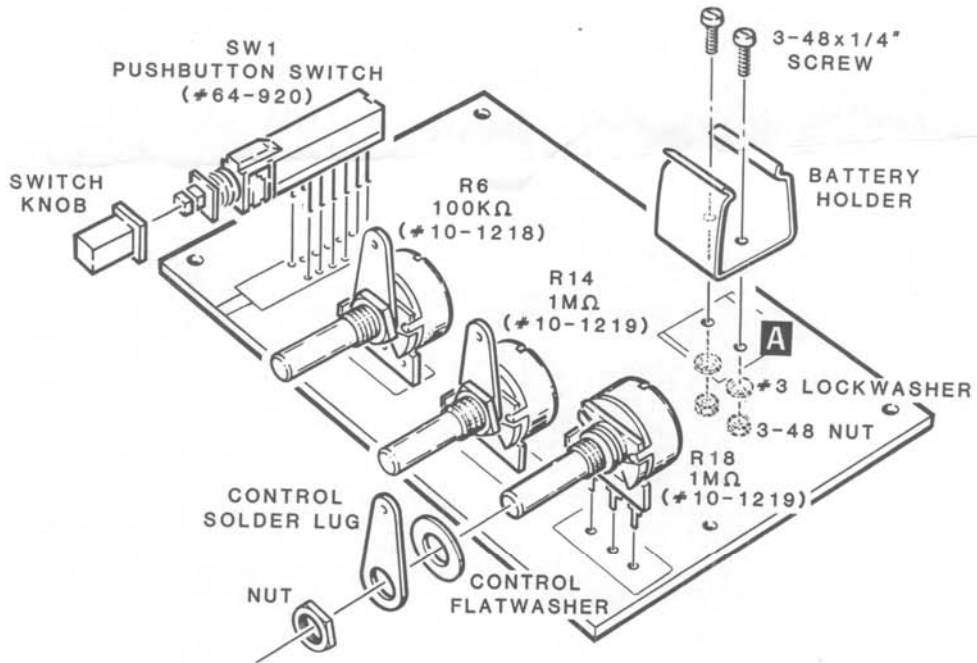
The Heathkit Model HD-1986 Microlizer is a microphone equalizer for amateur transceivers. Its variable low and high response and audio gain capabilities will let you tailor the input signal to your transmitter audio stages, giving you clearer, crisper transmitted audio by compensating for your microphone and your voice characteristics. The unit is battery-operated and even has an automatic battery test circuit; if the front panel LED comes on momentarily when you first turn the Microlizer on,

your battery is OK. With this unit, you will attain maximum output on SSB, with a clearer sounding signal.

You will have to prepare a cable to connect between your Transceiver and the Microlizer. These parts are not supplied and will have to be purchased. You will need a stereo 2-conductor phone plug, a microphone connector, and a 2-conductor with ground cable.



PICTORIAL 3-1



PICTORIAL 1-4

