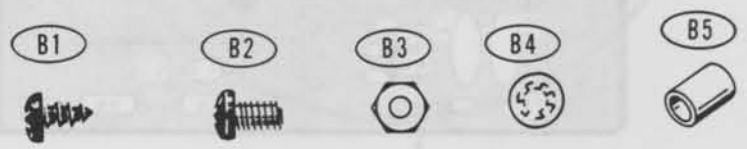
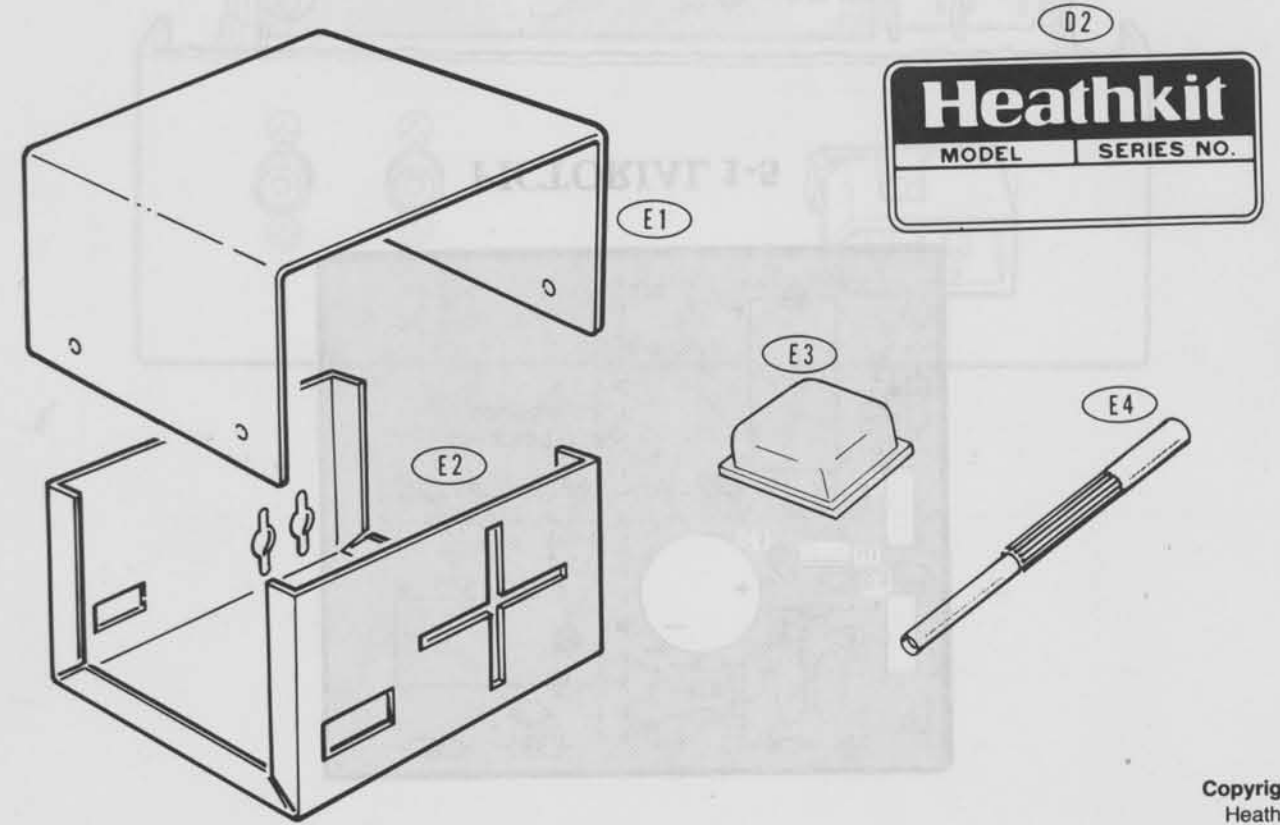
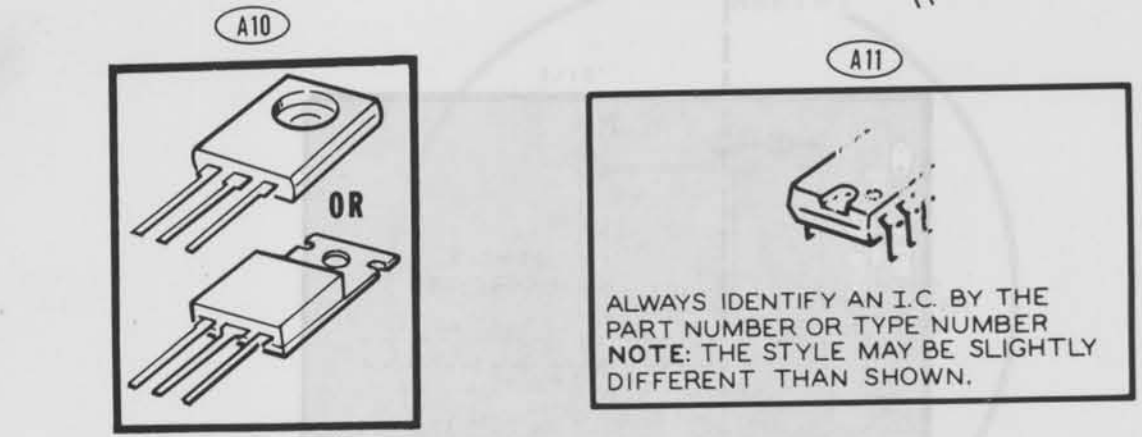
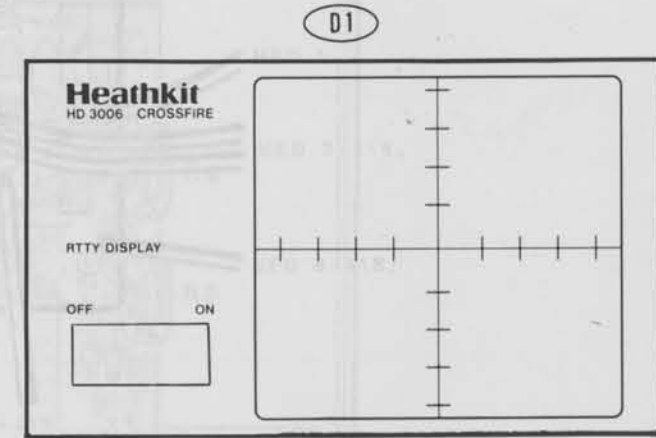
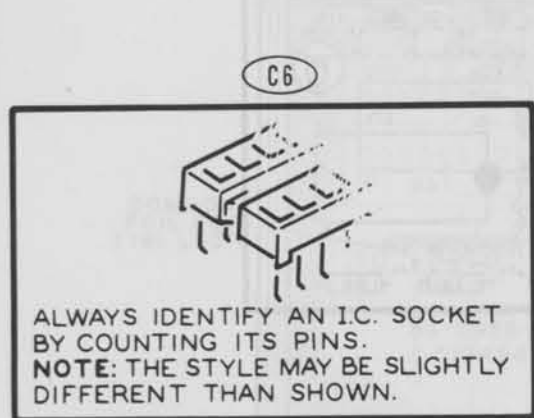
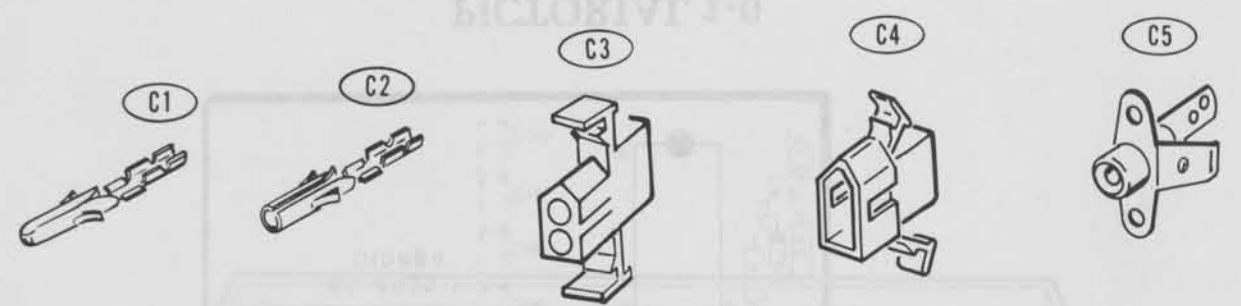
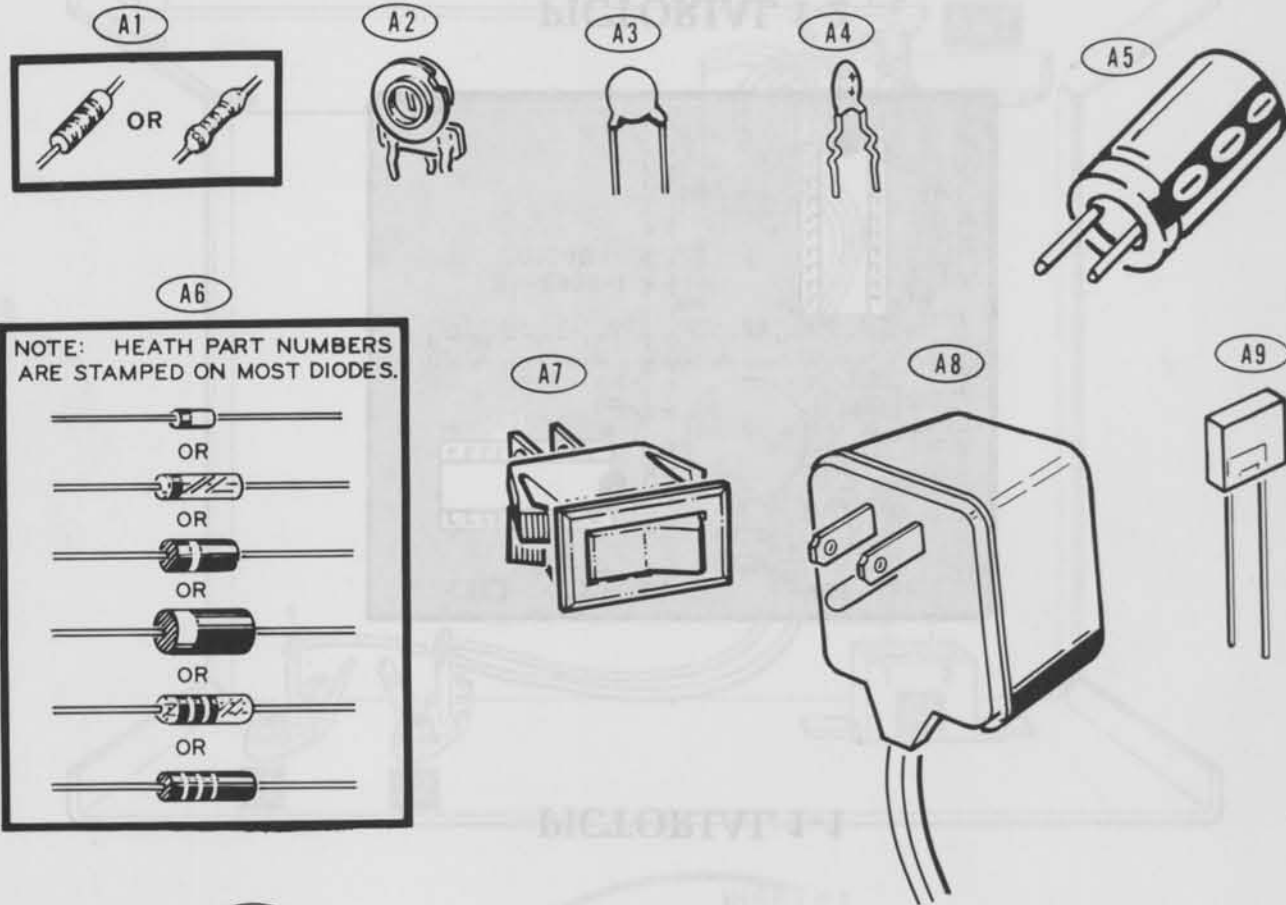


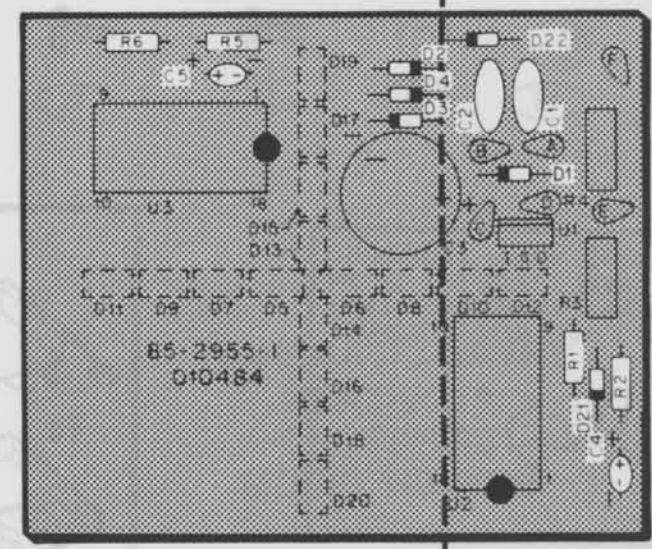
# ILLUSTRATION BOOKLET

Part of 595-3232

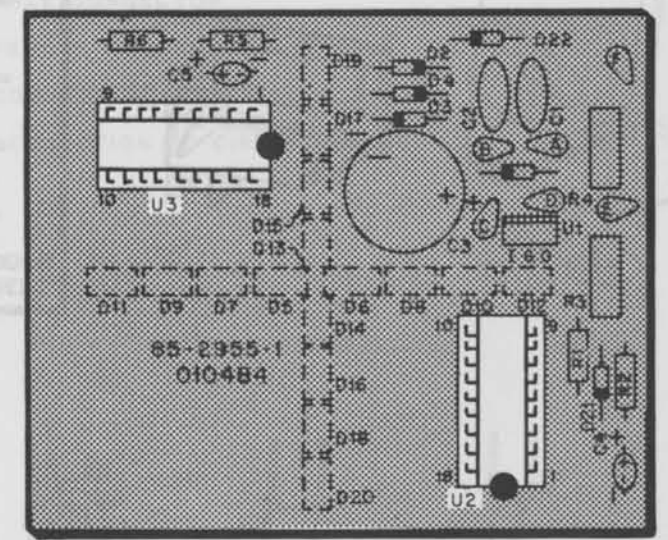
## PARTS PICTORIAL



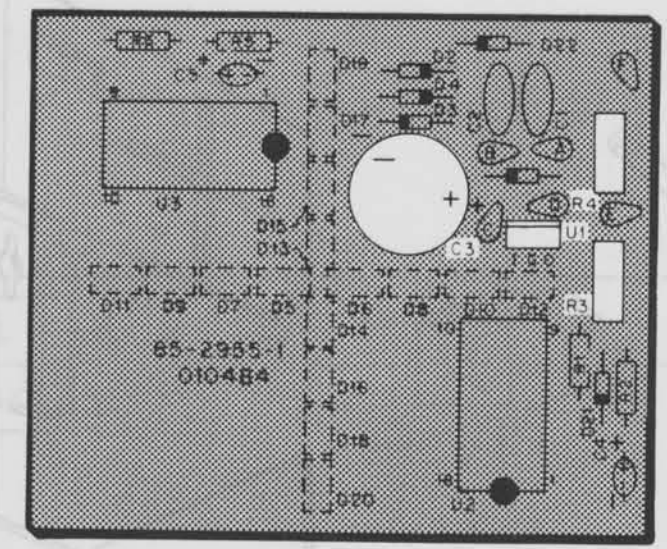
SECTION 1 | SECTION 2



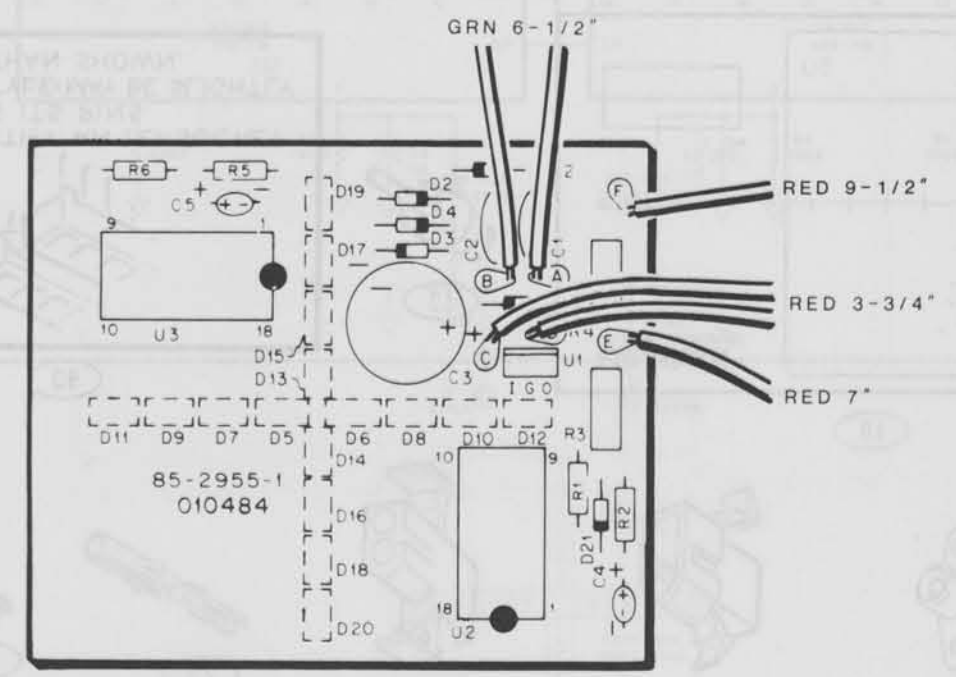
PICTORIAL 1-1



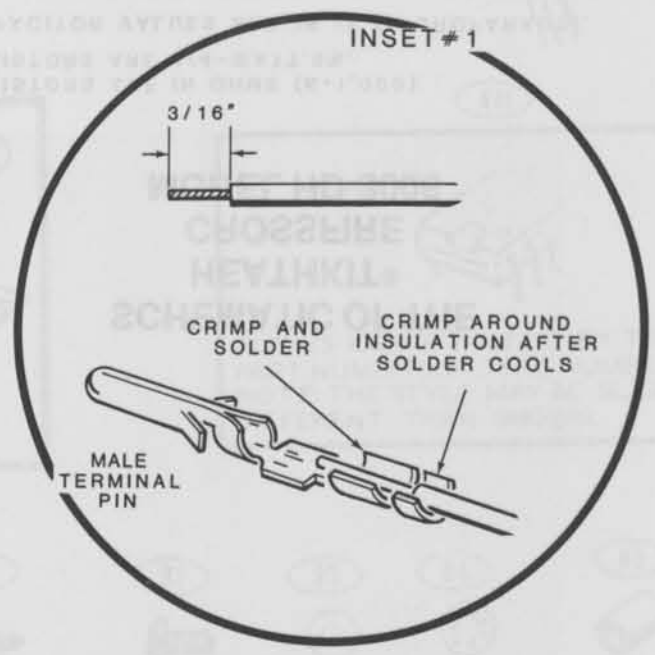
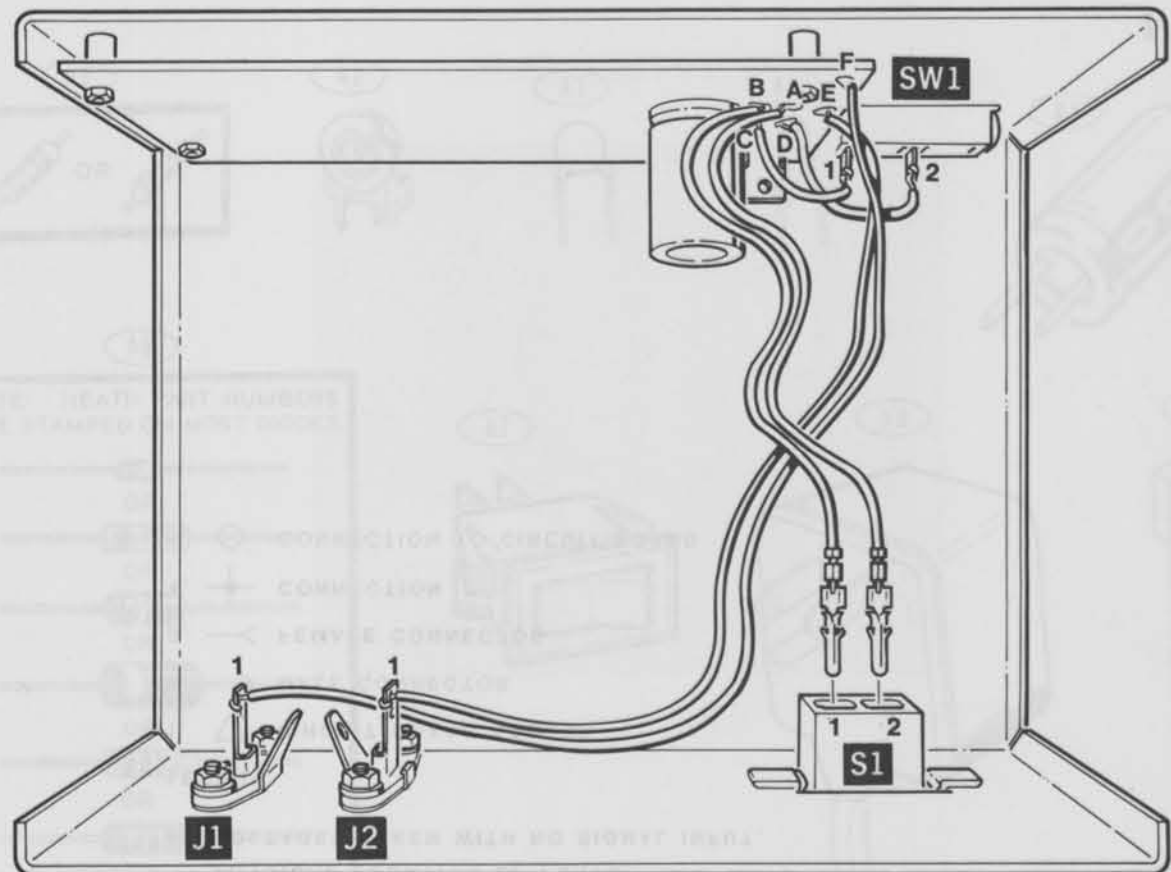
PICTORIAL 1-2



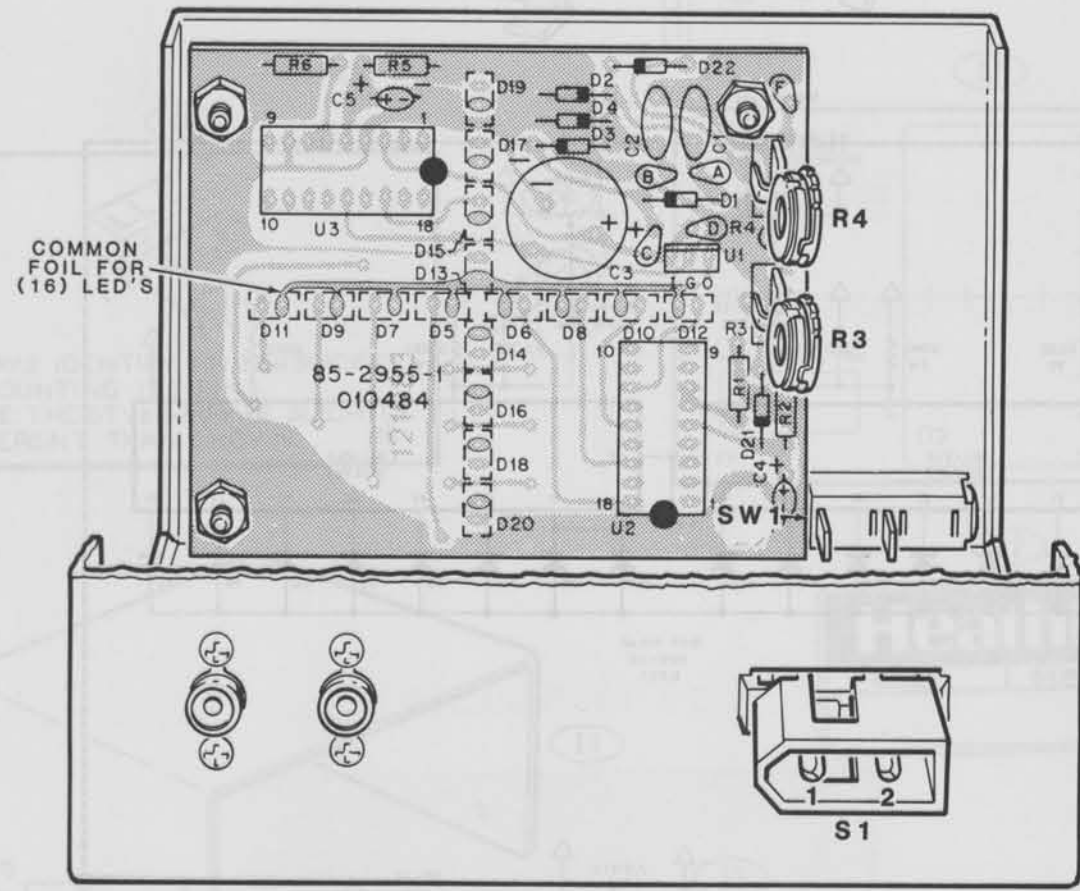
PICTORIAL 1-5



PICTORIAL 1-6



PICTORIAL 1-8



PICTORIAL 2-1

SECTION 1 SECTION 2

## SCHEMATIC OF THE HEATHKIT® CROSSFIRE MODEL HD-3006

NOTES:

1. ALL RESISTORS ARE IN OHMS (K=1,000), ALL RESISTORS ARE 1/4-WATT, 5%.
2. ALL CAPACITOR VALUES ARE IN  $\mu\text{F}$  (MICROFARADS).
3. REFER TO THE CIRCUIT BOARD X-RAY VIEW FOR THE PHYSICAL LOCATION OF PARTS.
4. VOLTAGES TAKEN WITH NO SIGNAL INPUT.

LEGEND:

1. CIRCUIT BOARD GROUND
2. MALE CONNECTOR
3. FEMALE CONNECTOR
4. CONNECTION
5. CONNECTION TO CIRCUIT BOARD

