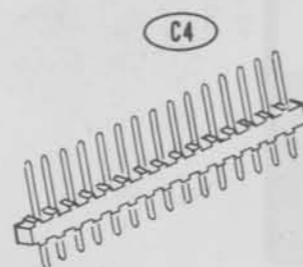
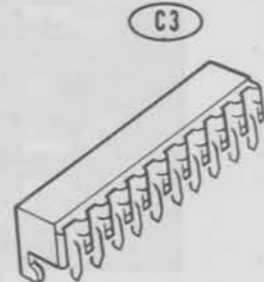
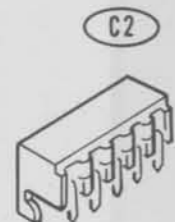
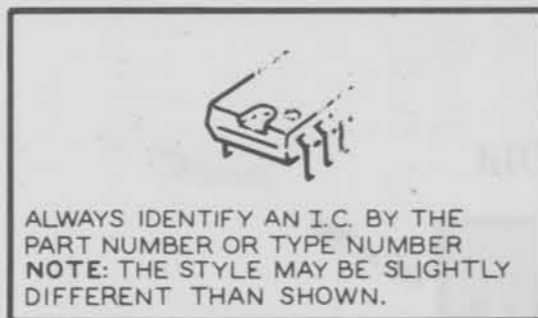


ILLUSTRATION BOOKLET

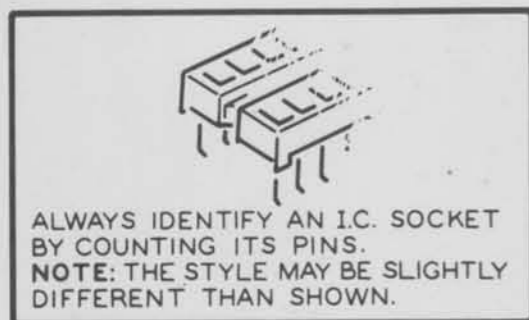
PARTS PICTORIAL



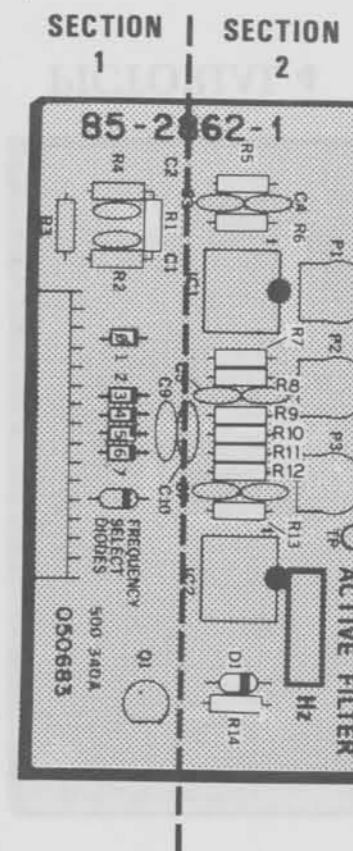
B2



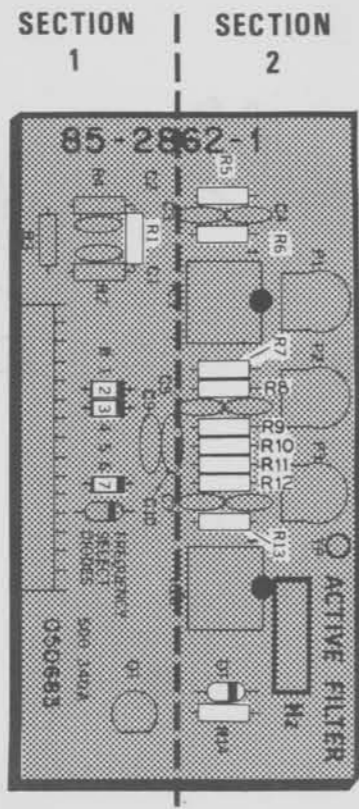
C5



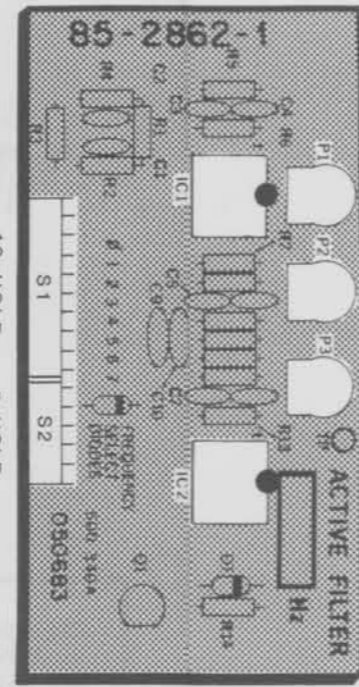
C6



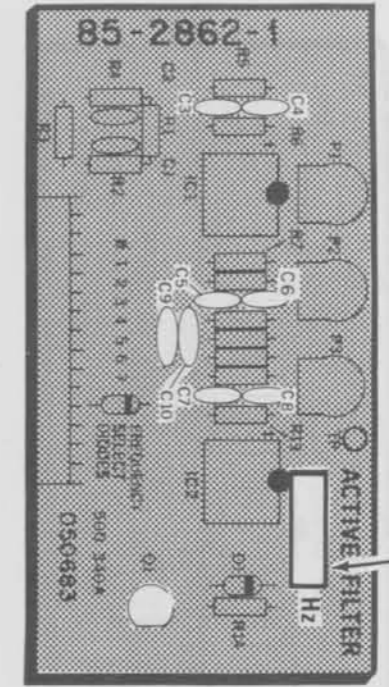
PICTORIAL 1



PICTORIAL 2

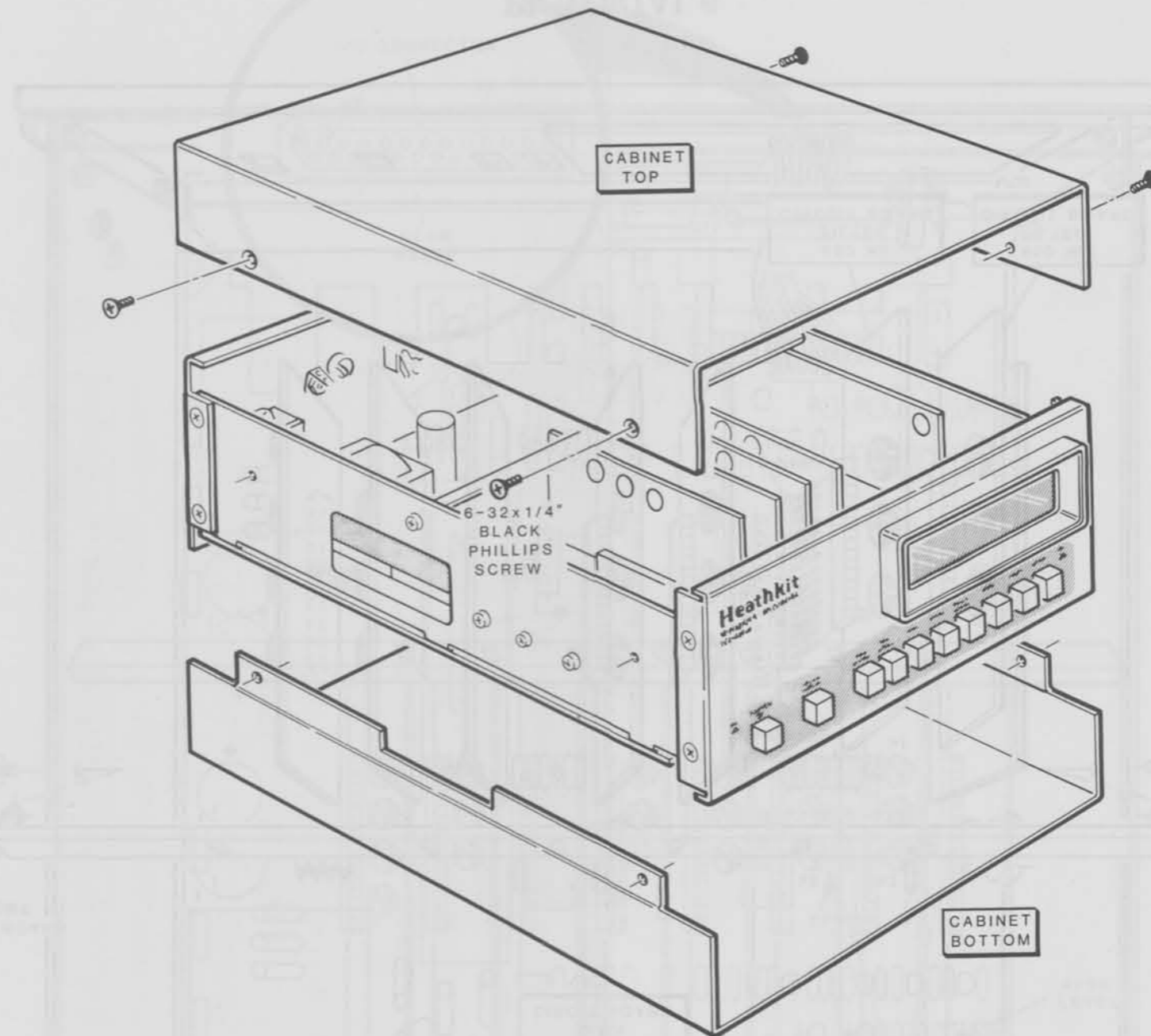


PICTORIAL 3

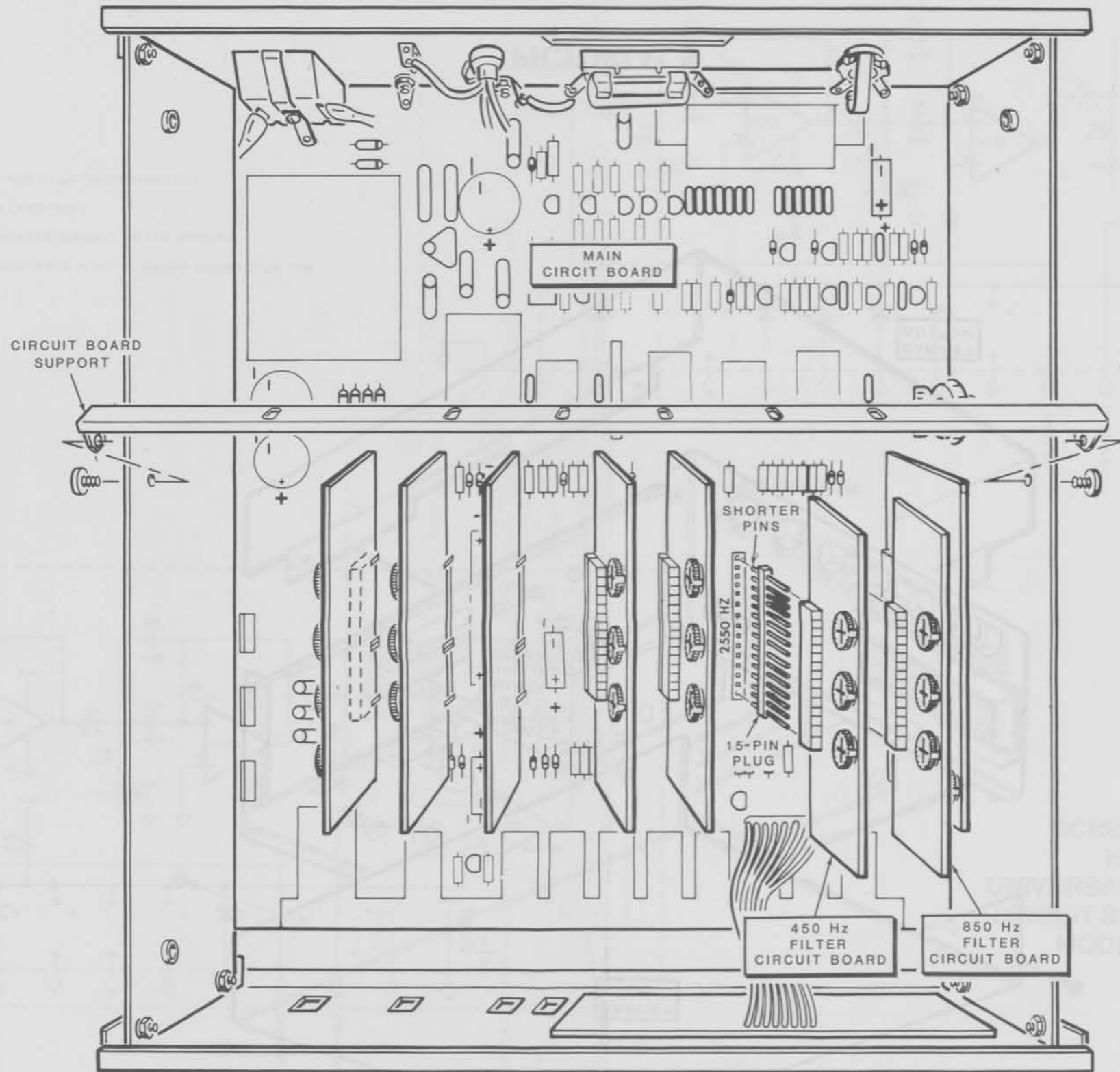


PICTORIAL 4

MARK
"2550"
OR
"2975"
HERE

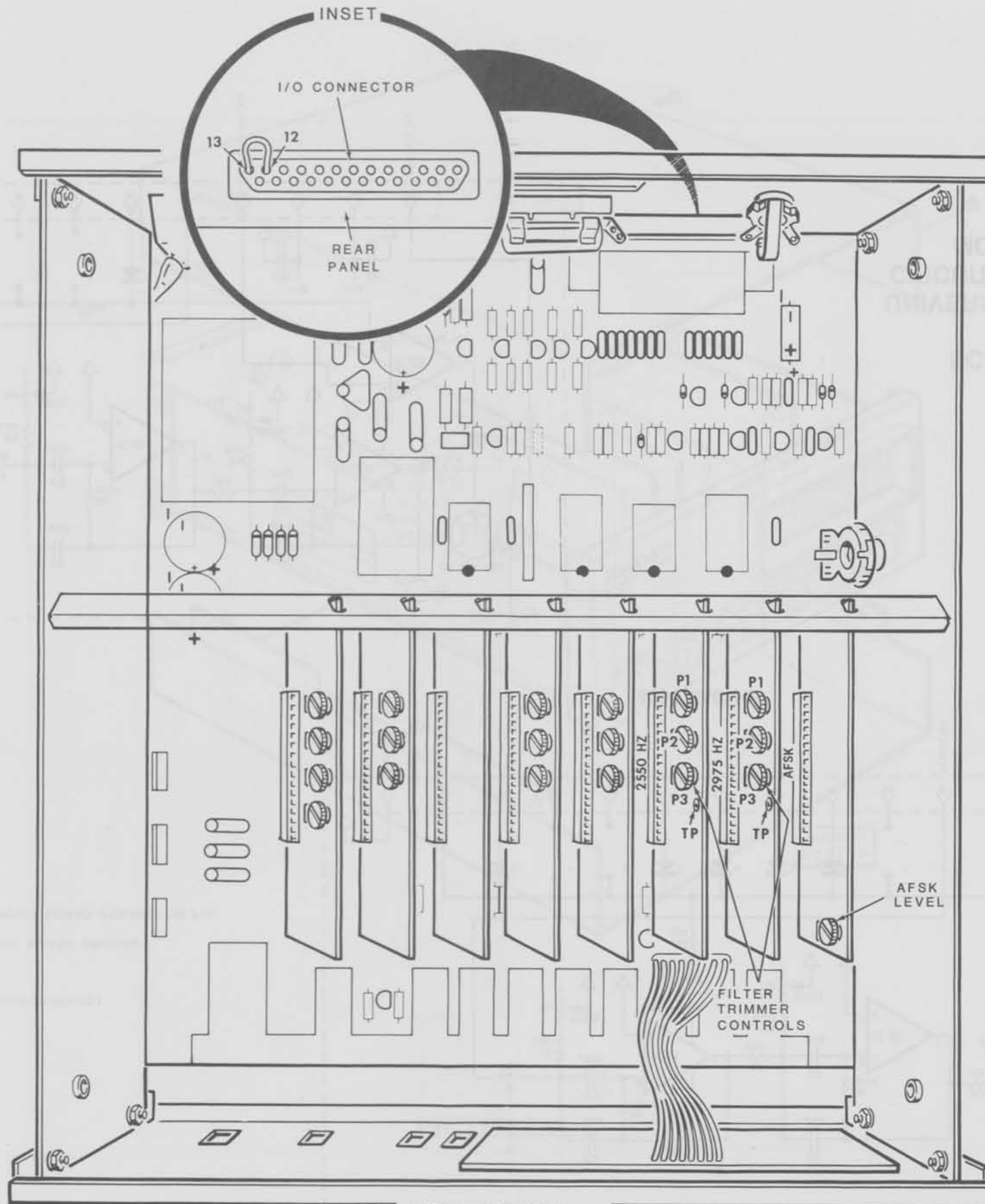


PICTORIAL 5



PICTORIAL 6

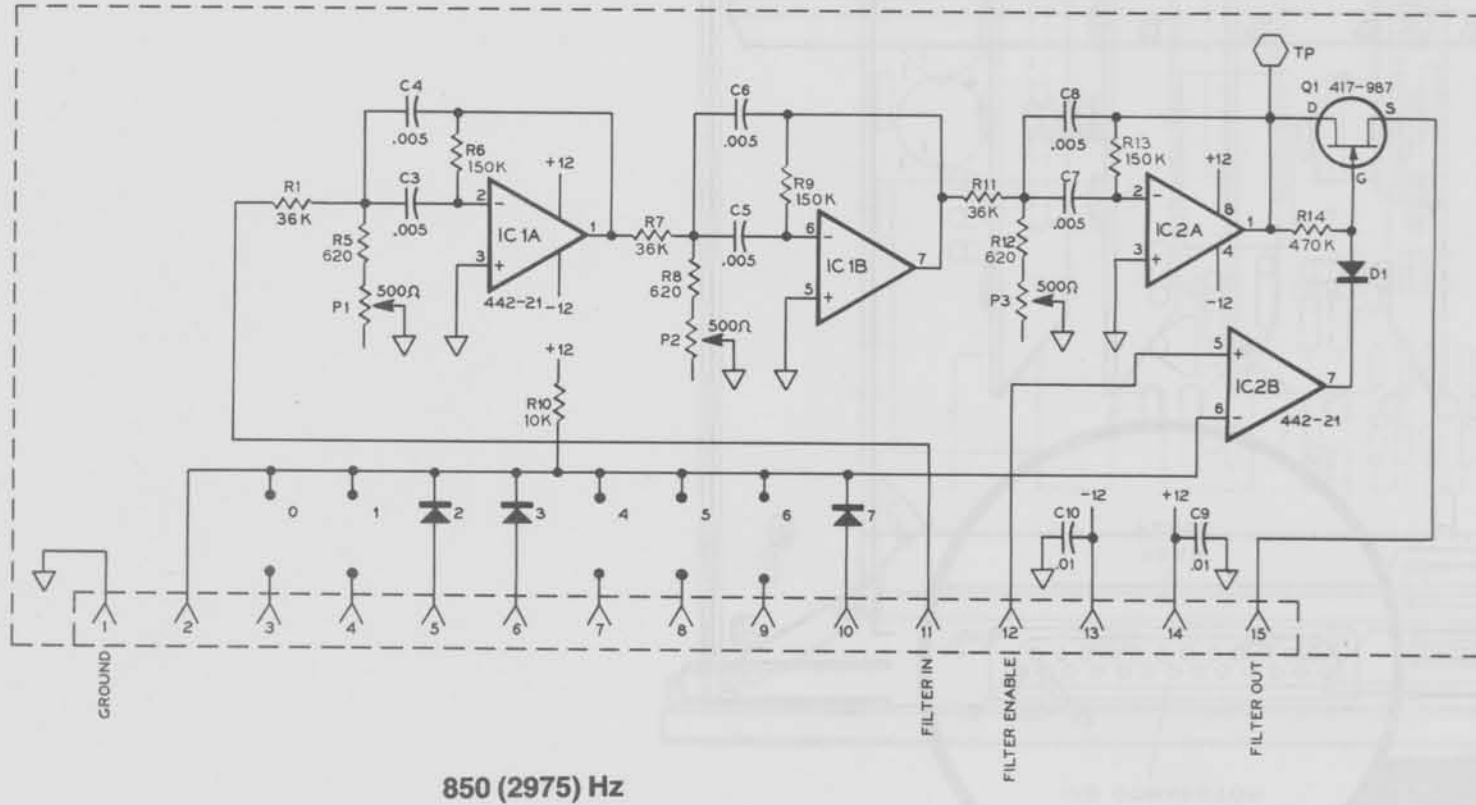
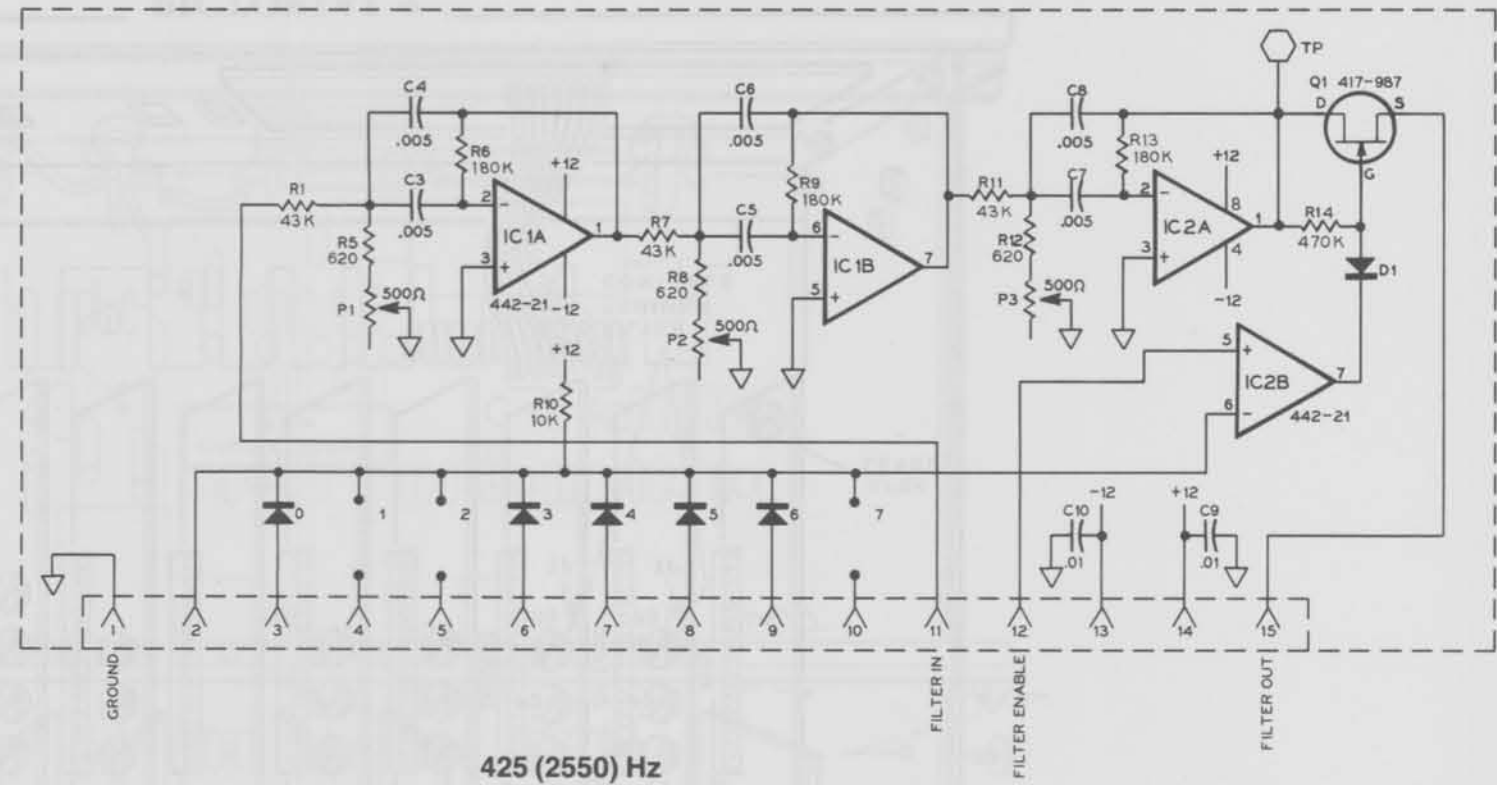
CREATOR OF THE
HEATHKIT
UNIVERSAL 475/550 HZ FILTER
KIT BOARD ACCESSORY
MODEL H0A-300-2



PICTORIAL 7

NOTES:

1. ALL CAPACITOR VALUES ARE IN μF (MICROFARADS)
2. ALL DIODES ARE IN4149 (#56-56).
3. ∇ THIS SYMBOL INDICATES CIRCUIT BOARD GROUND.
4. \wedge THIS SYMBOL INDICATES A CIRCUIT BOARD CONNECTOR PIN.



**SCHEMATIC OF THE
HEATHKIT®
UNIVERSAL 425/850 HZ FILTER
CIRCUIT BOARD ACCESSORY
MODEL HDA-3030-2**