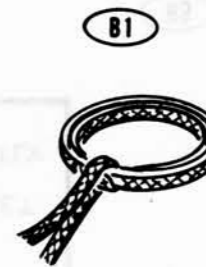
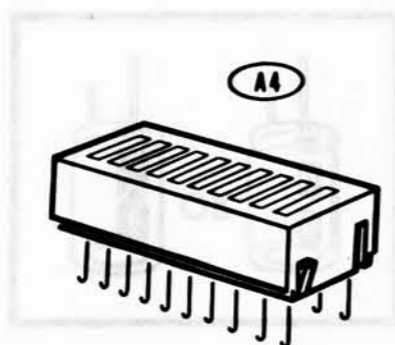
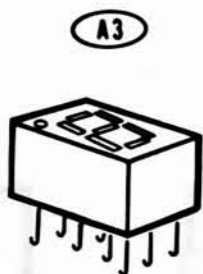
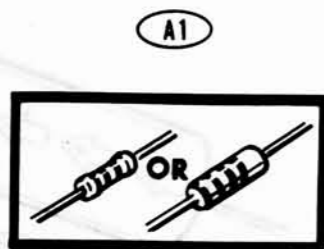
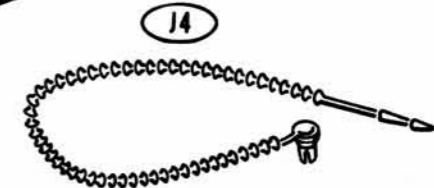
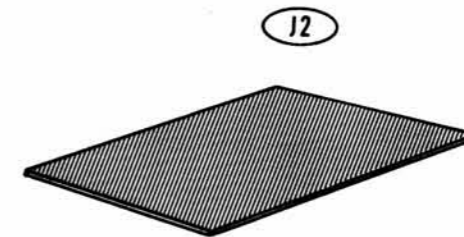
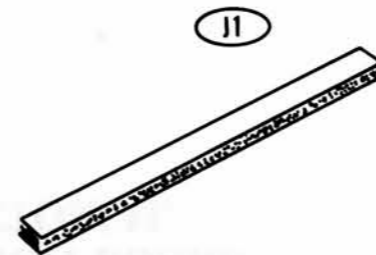
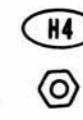
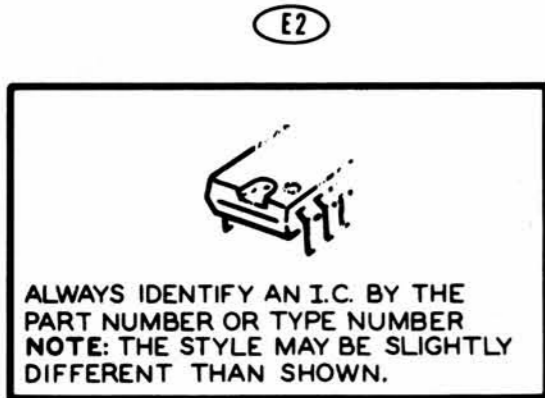
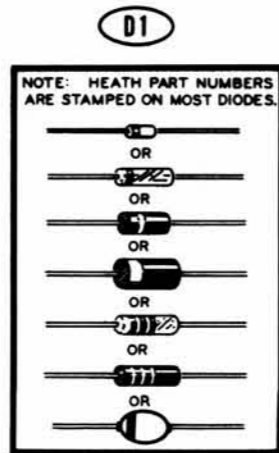
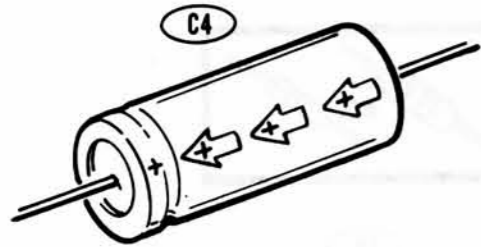
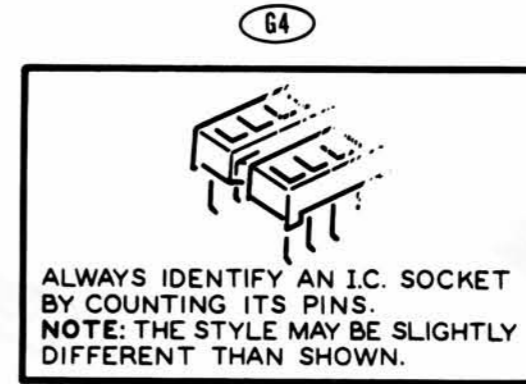
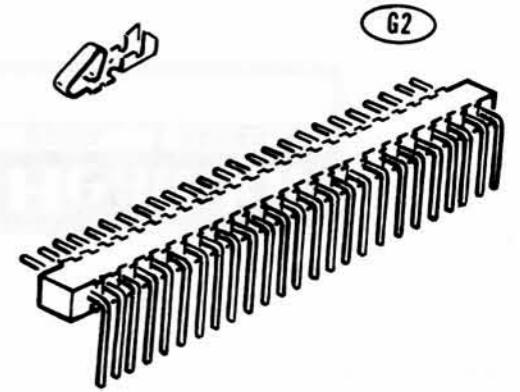
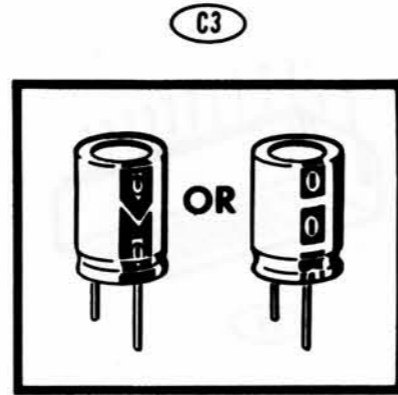
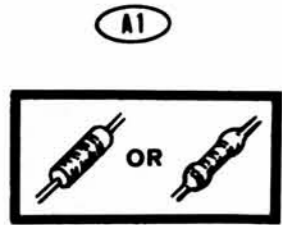


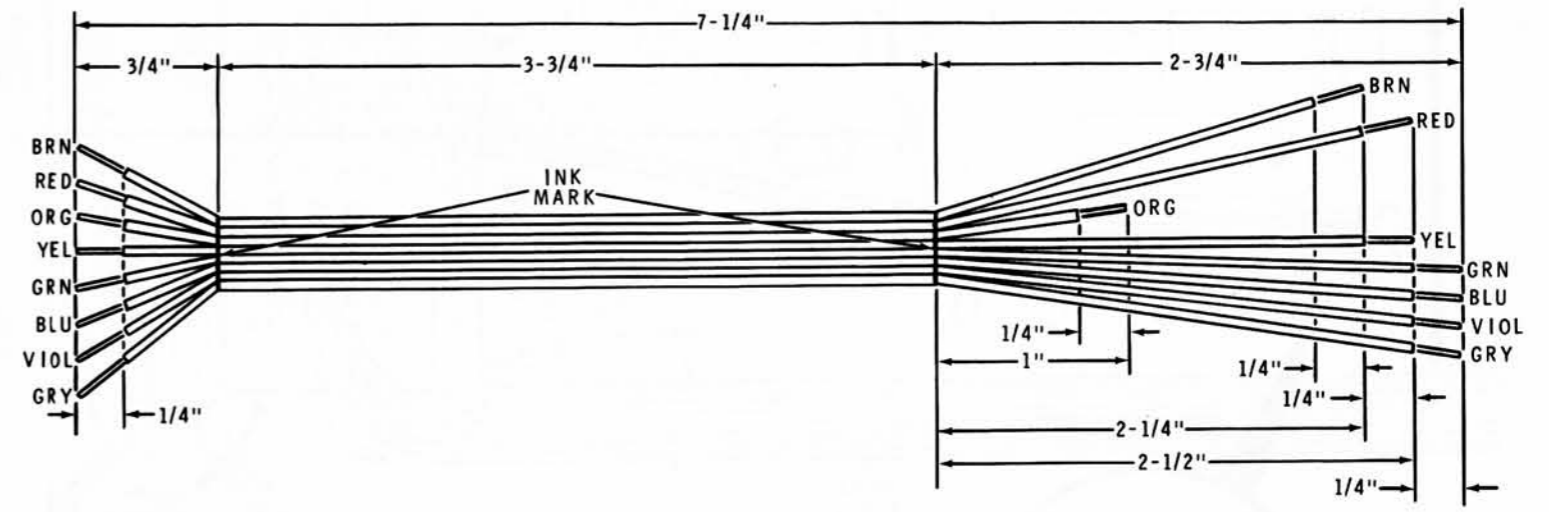
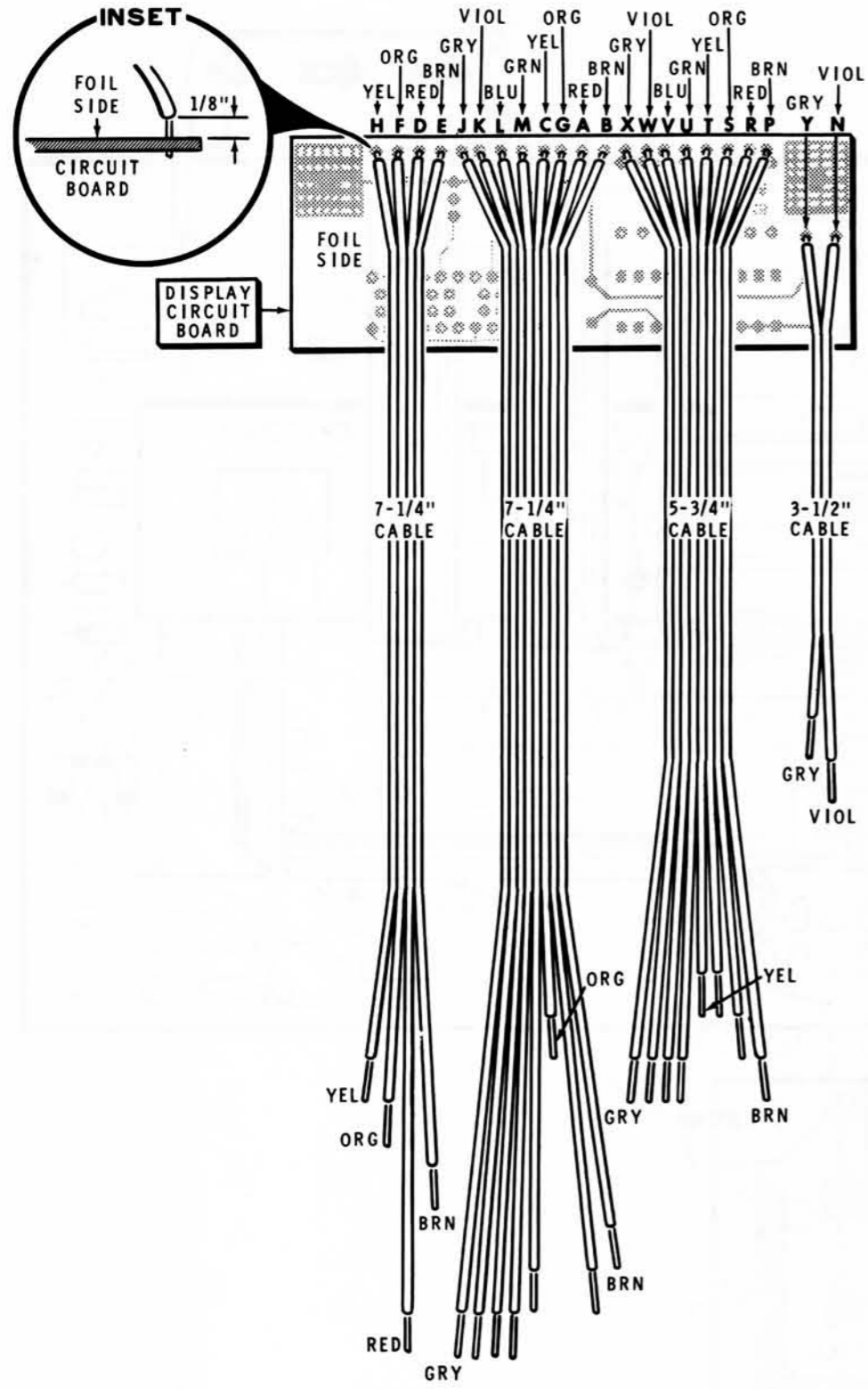
# ILLUSTRATION BOOKLET

## DISPLAY CIRCUIT BOARD PARTS PICTORIAL



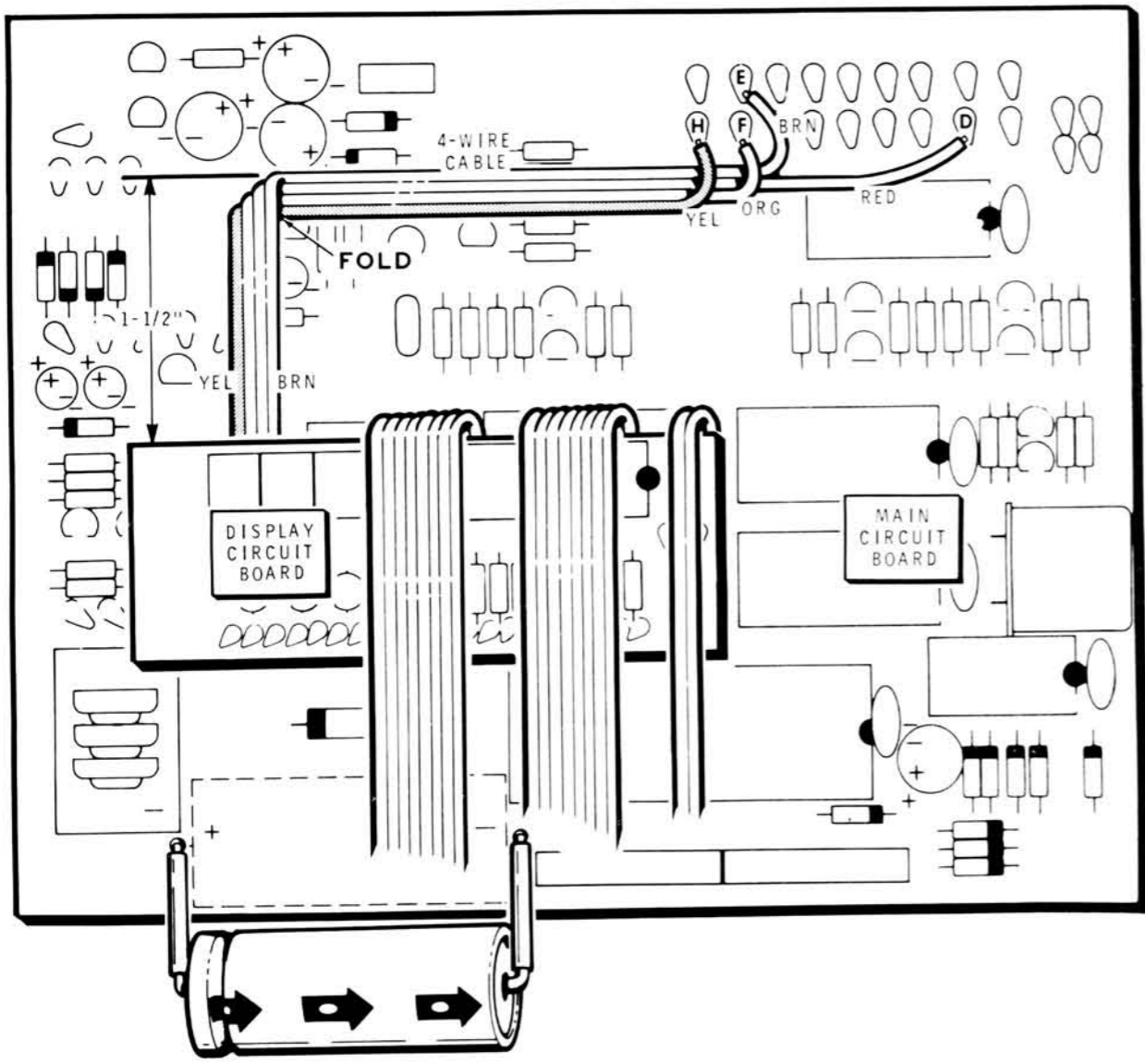
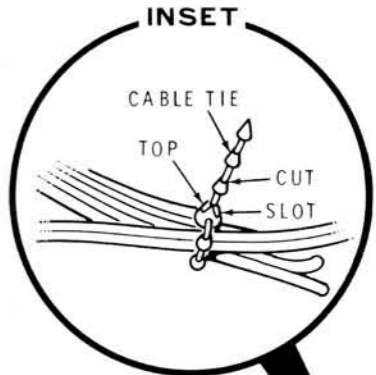
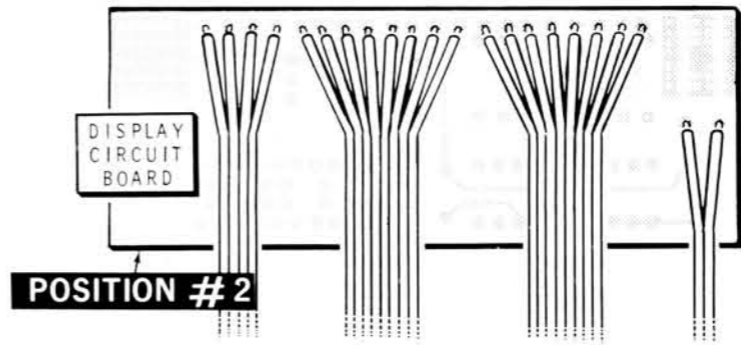
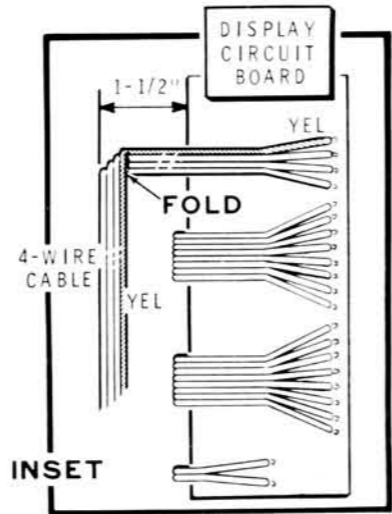
# MAIN CIRCUIT BOARD PARTS PICTORIAL



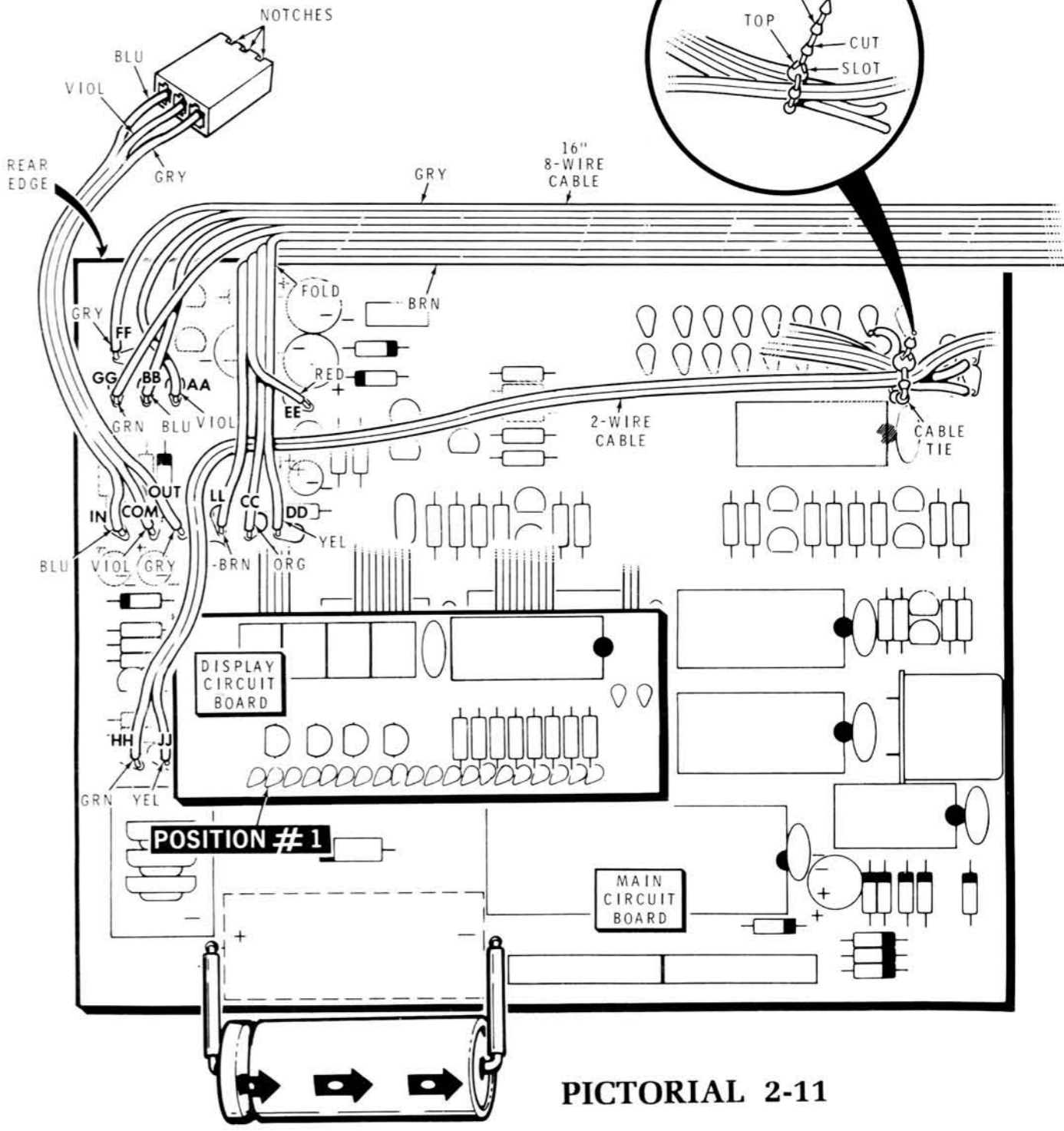


PICTORIAL 2-7

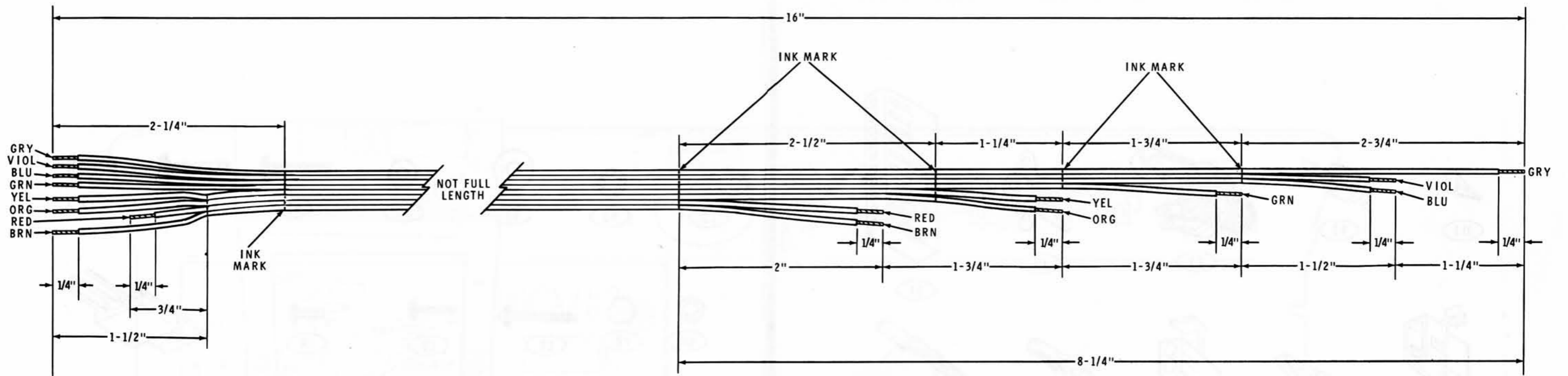
Detail 2-7B



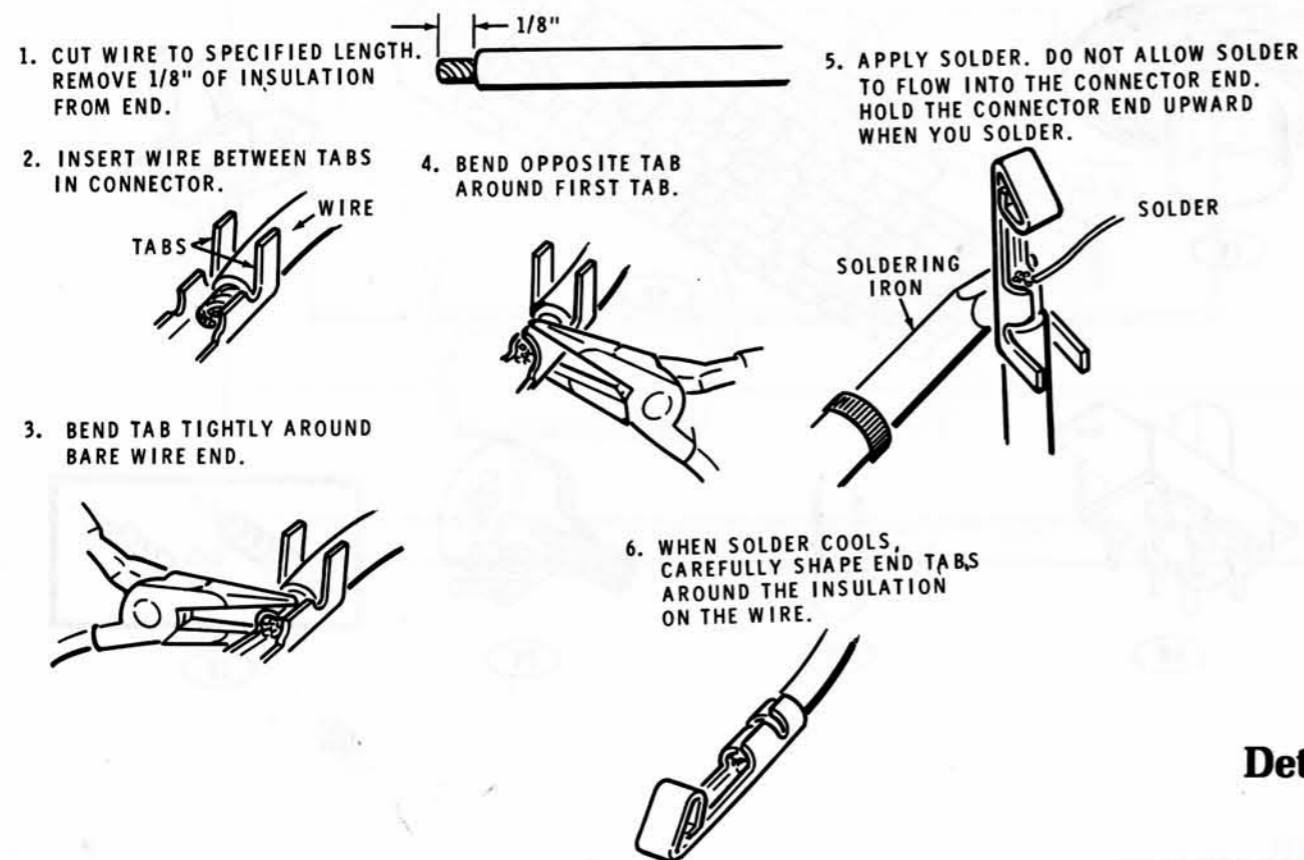
PICTORIAL 2-8



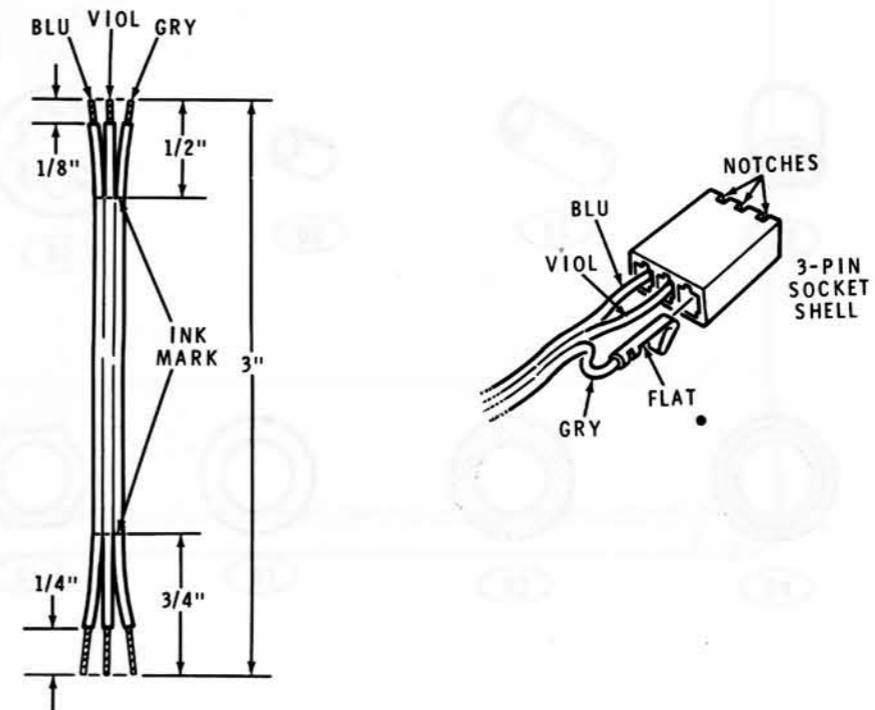
PICTORIAL 2-11



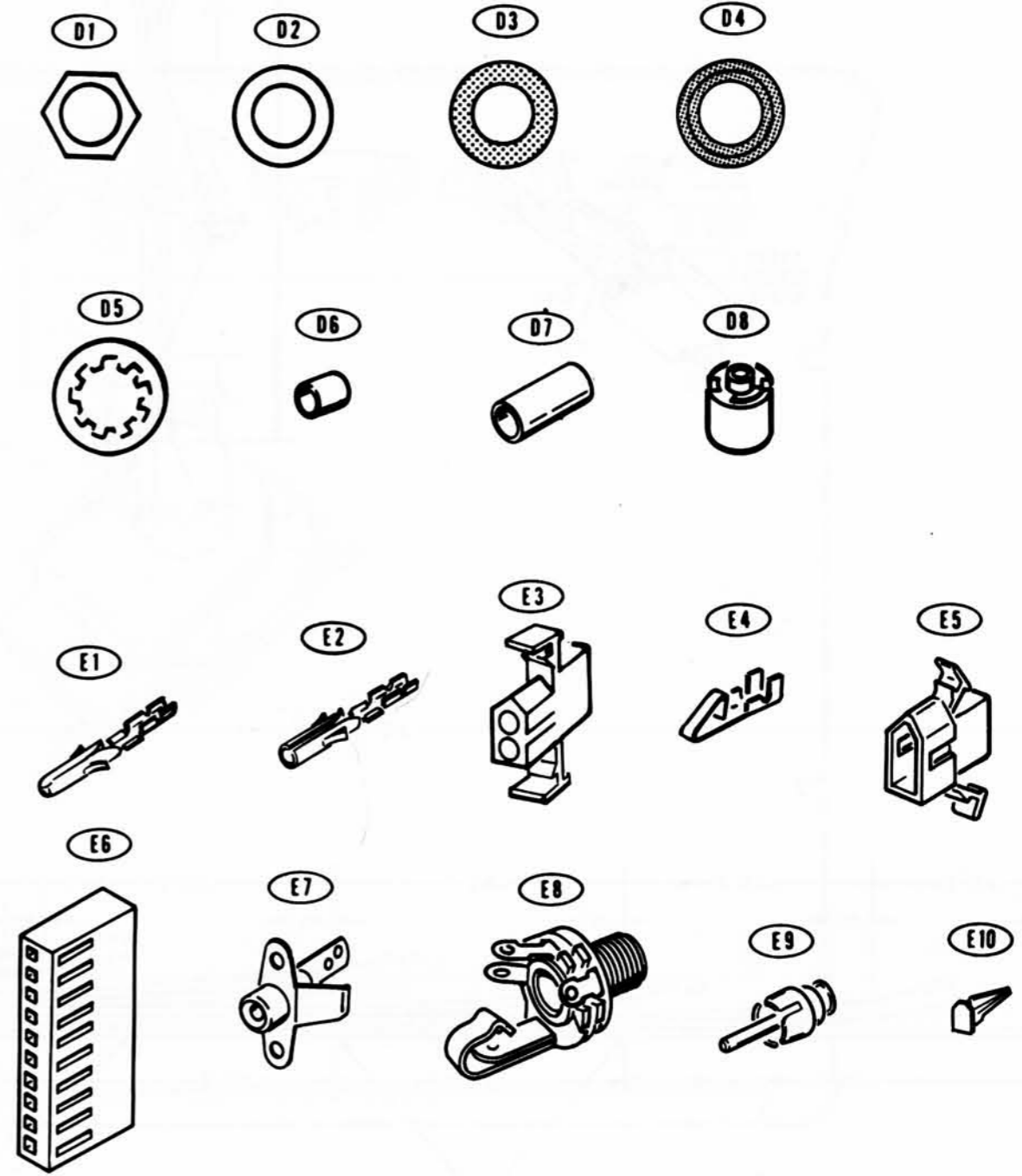
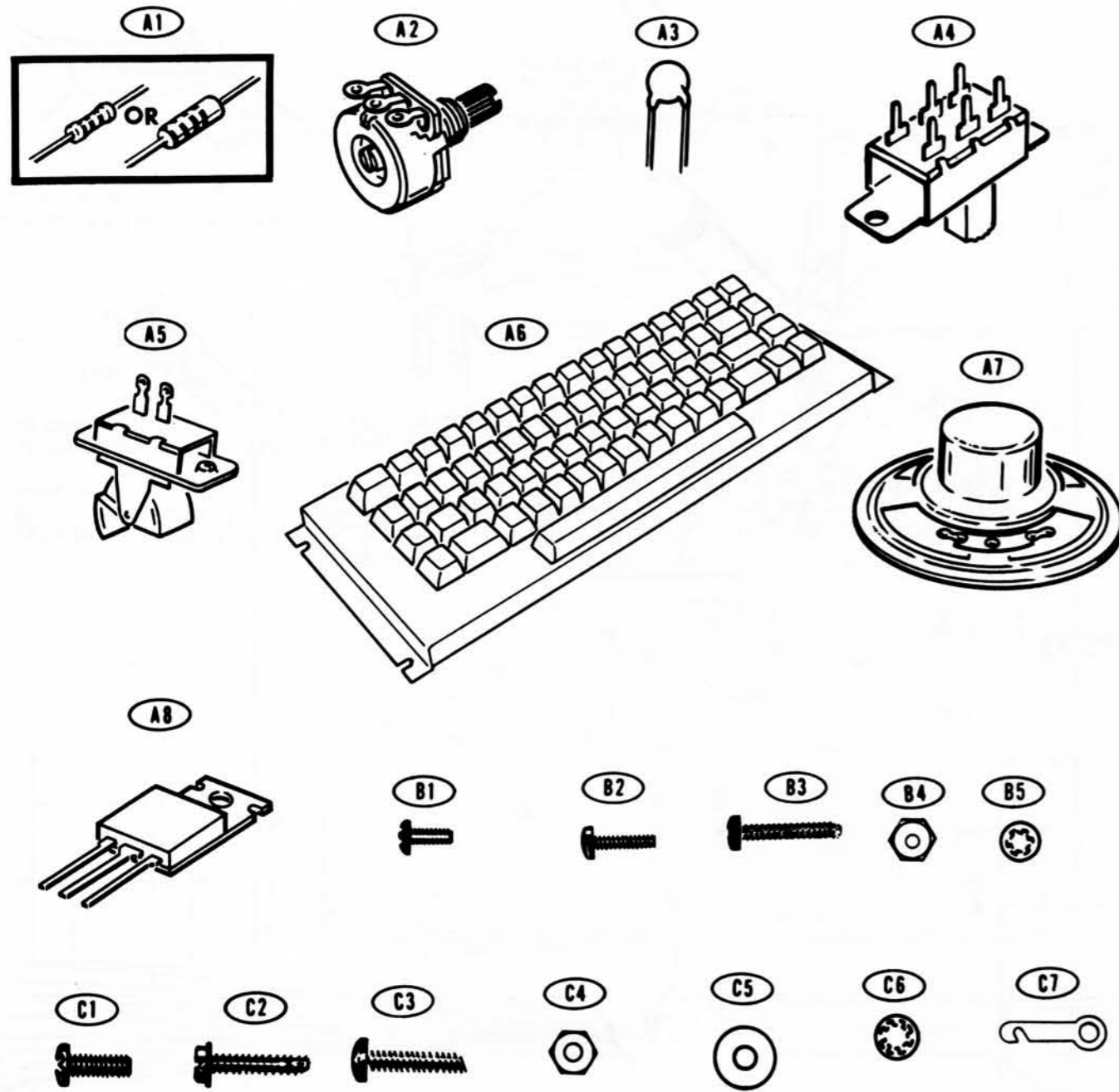
**Detail 2-11A**



**Detail 2-11C**

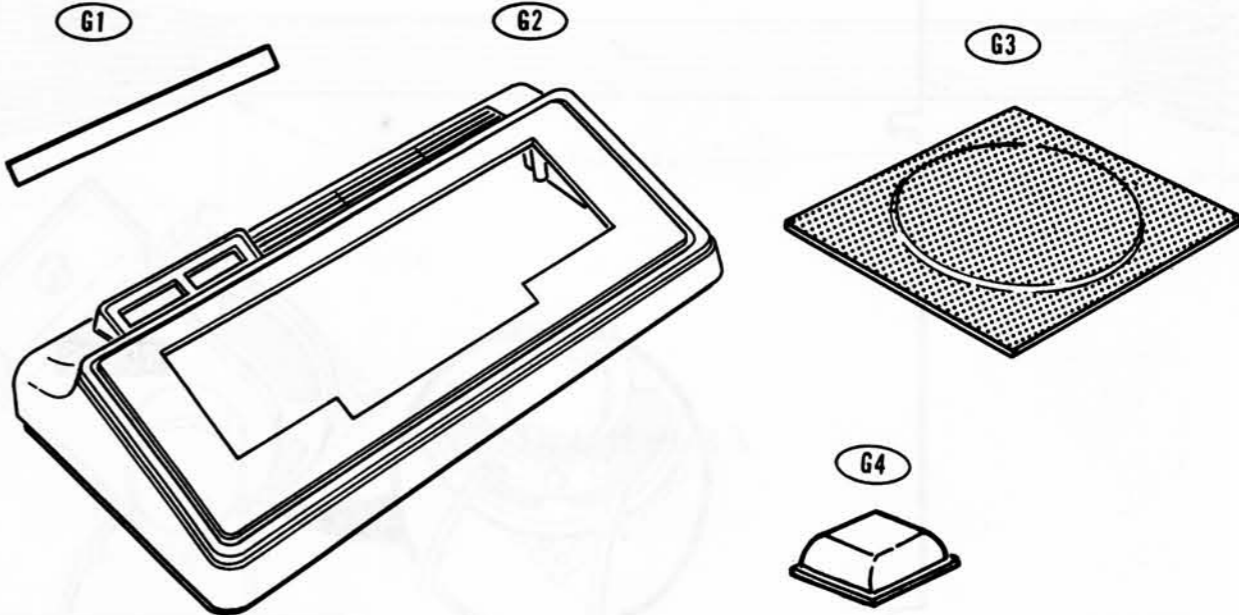
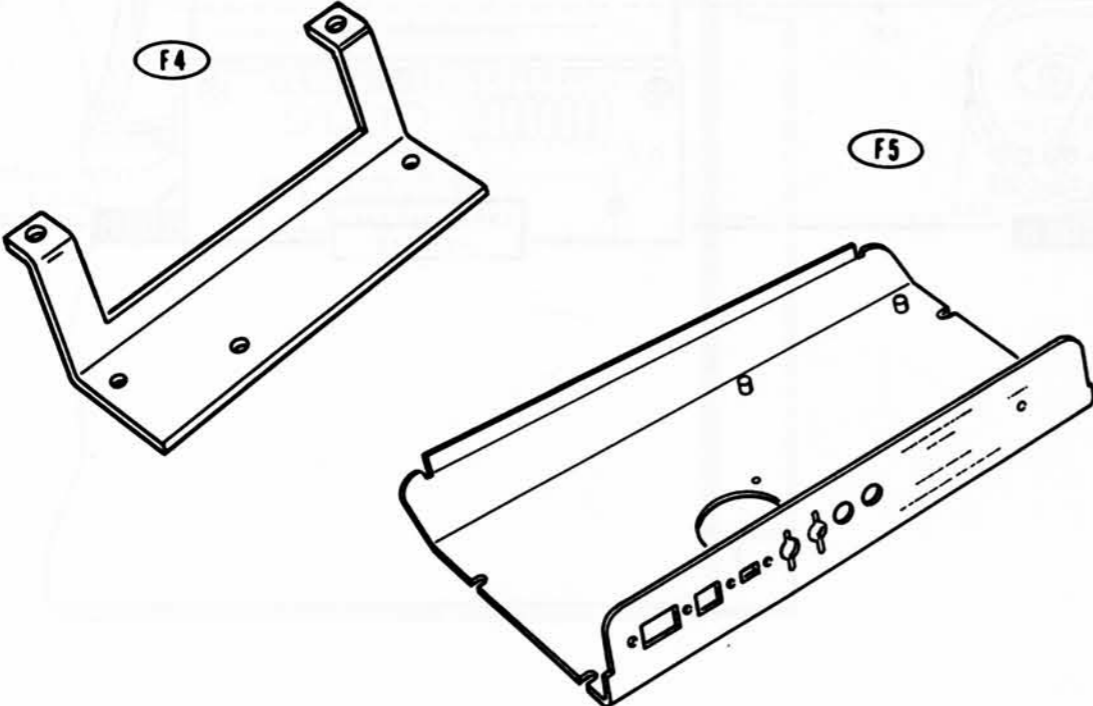
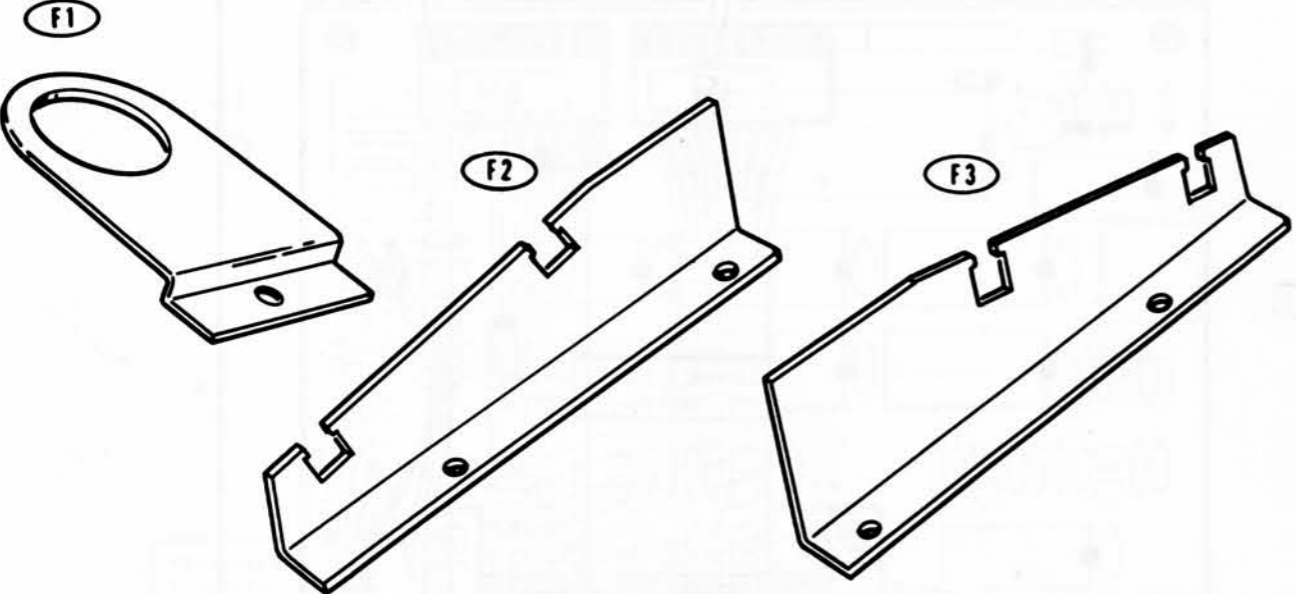


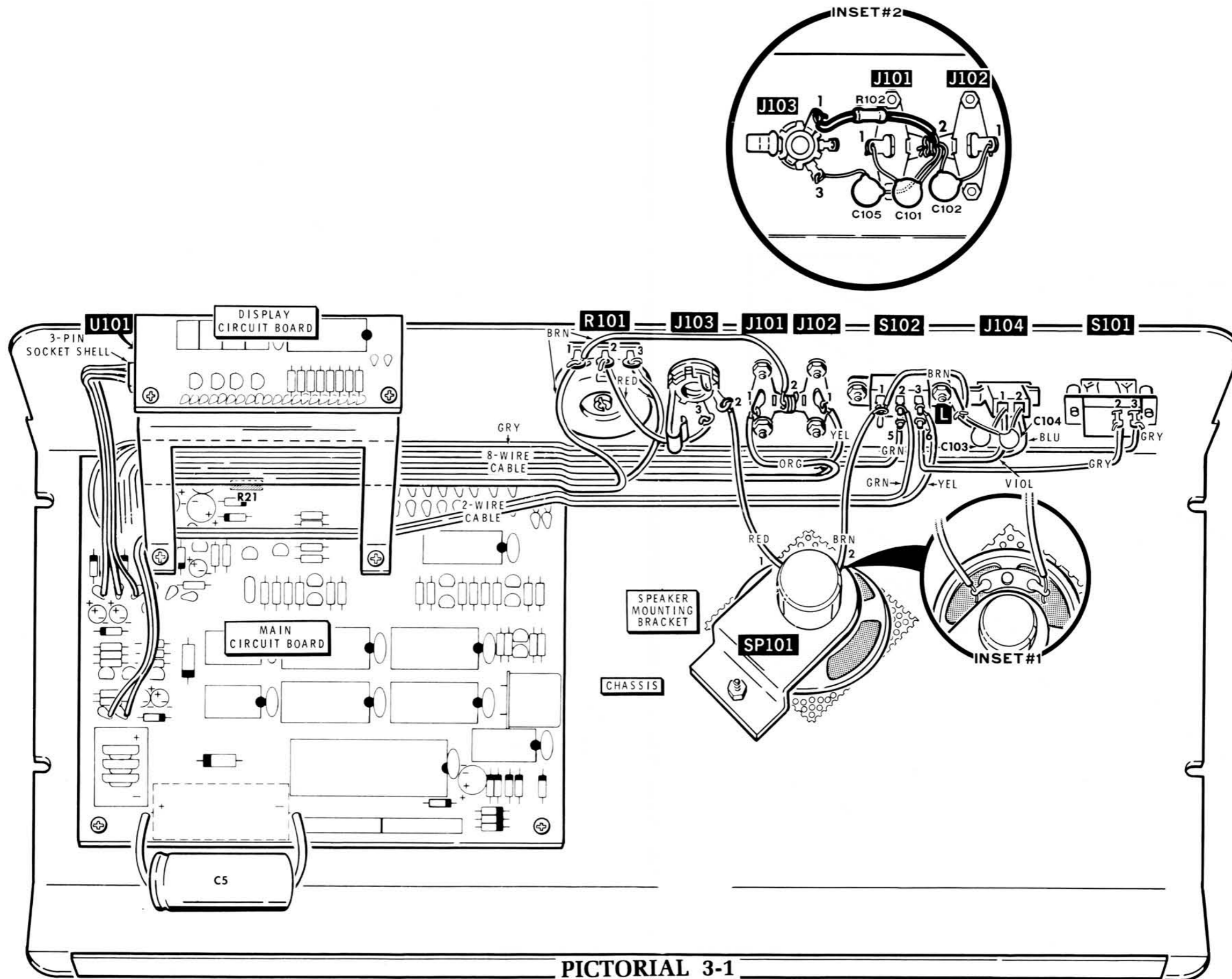
# CHASSIS PARTS PICTORIAL





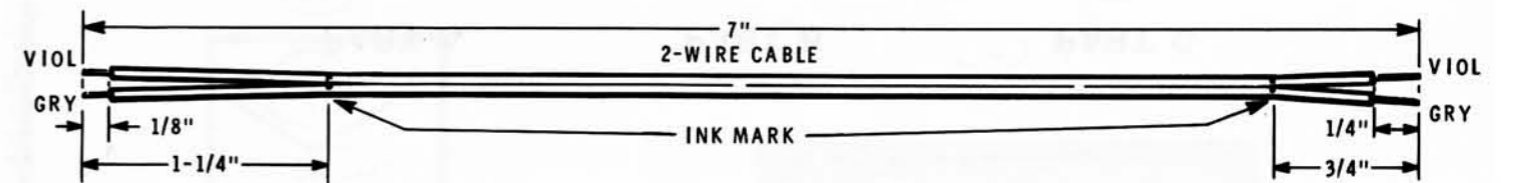
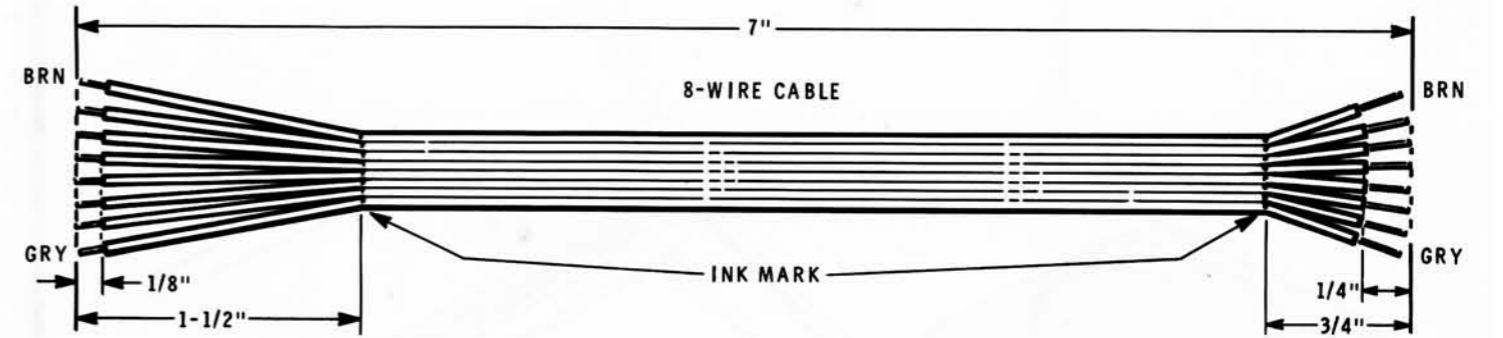
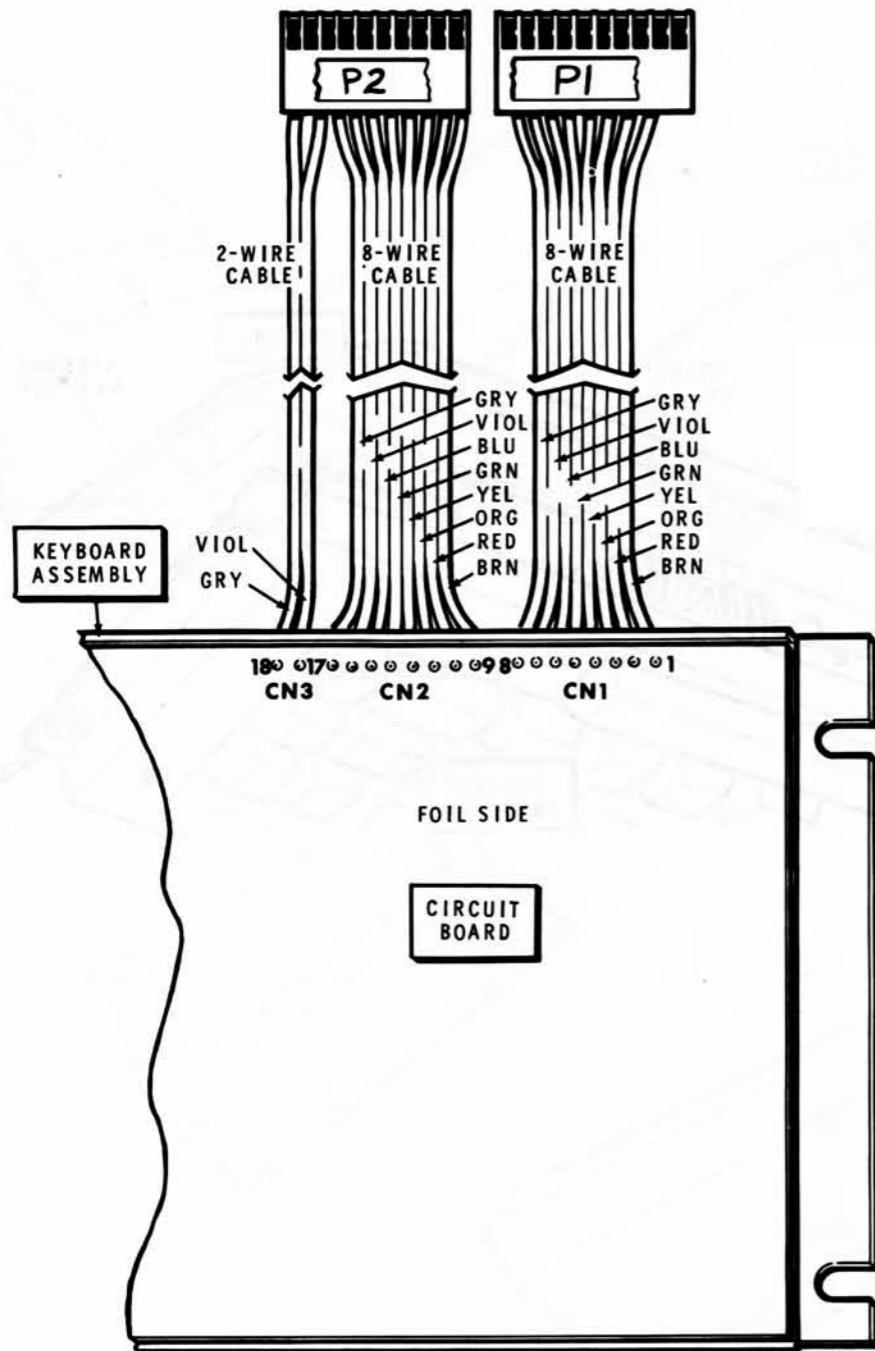
Chassis Parts Pictorial (Cont'd.)



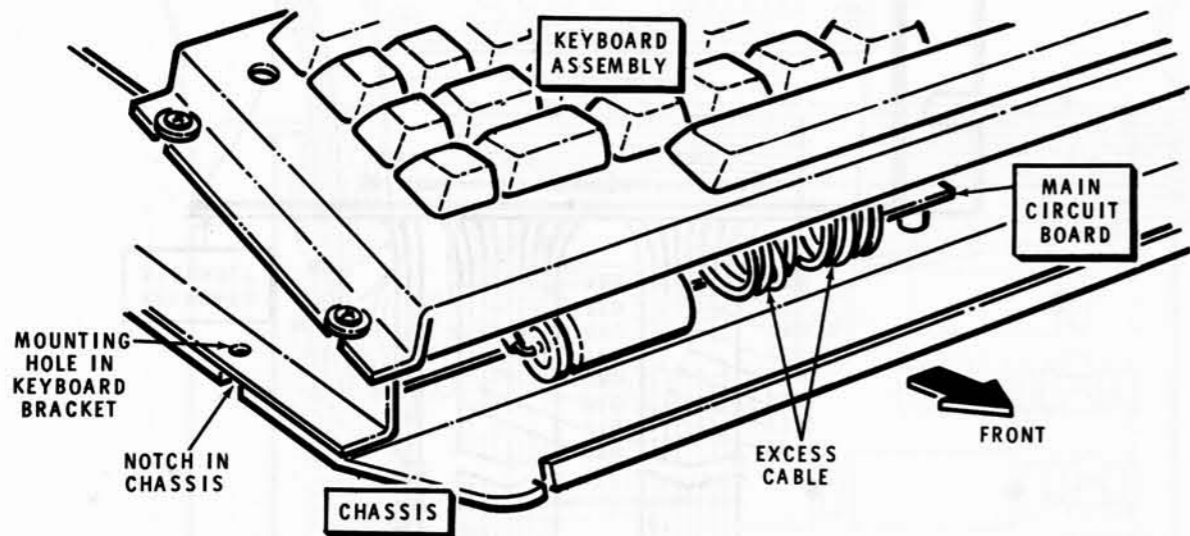


PICTORIAL 3-1

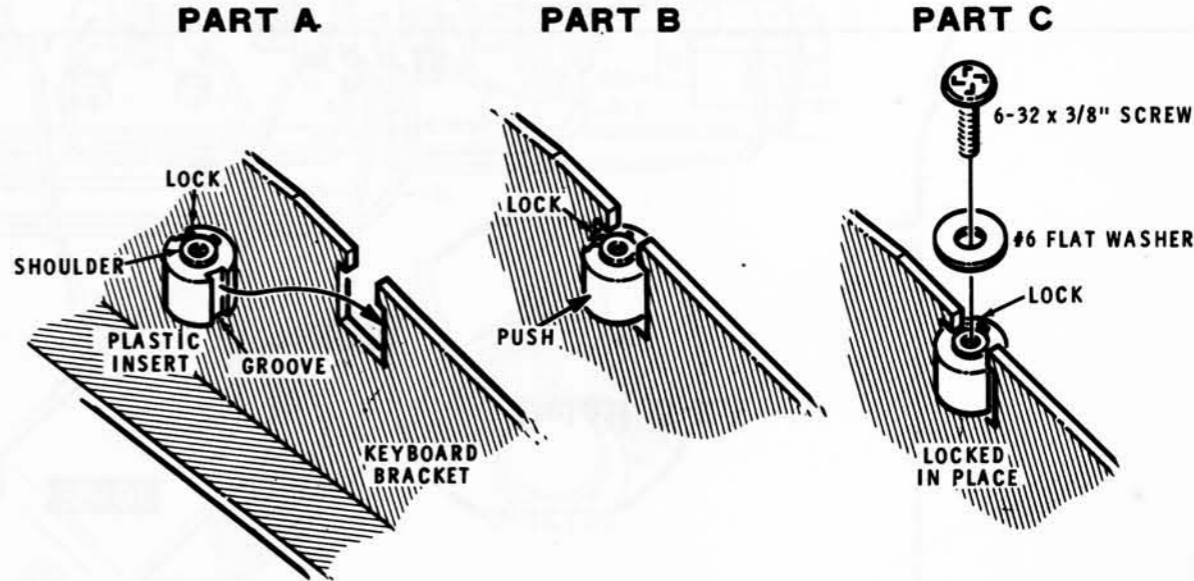




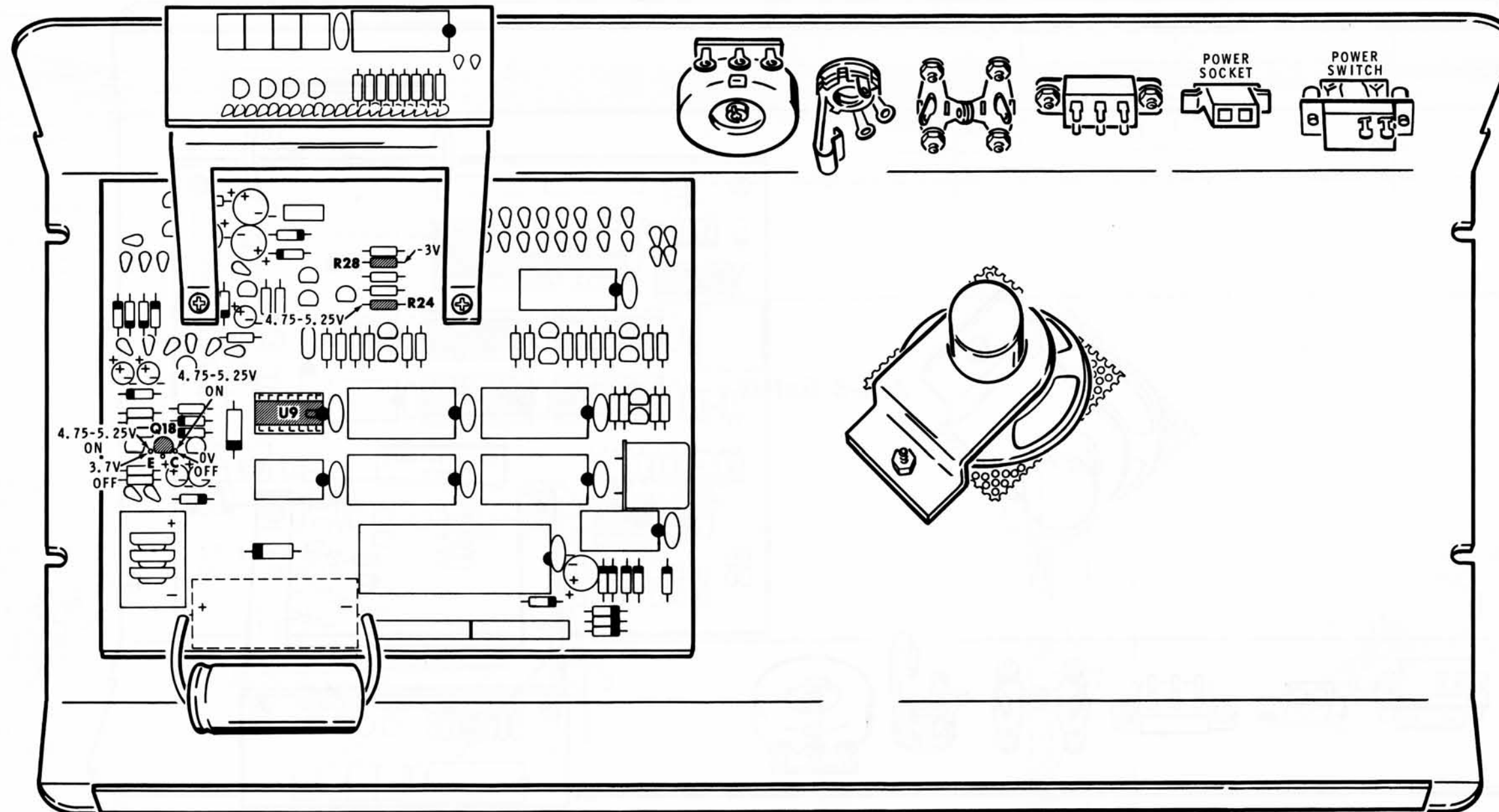
PICTORIAL 3-2



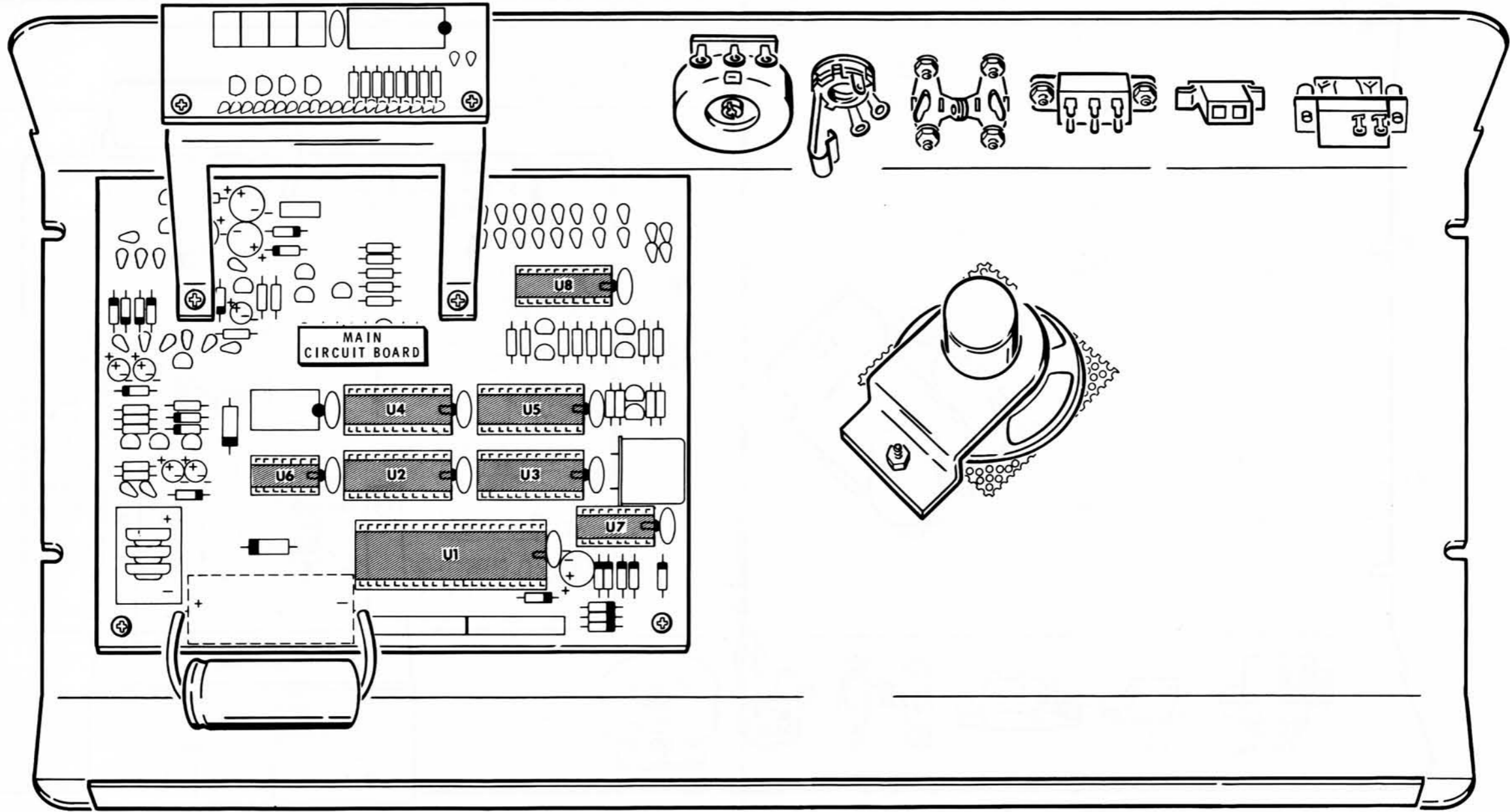
PICTORIAL 3-3



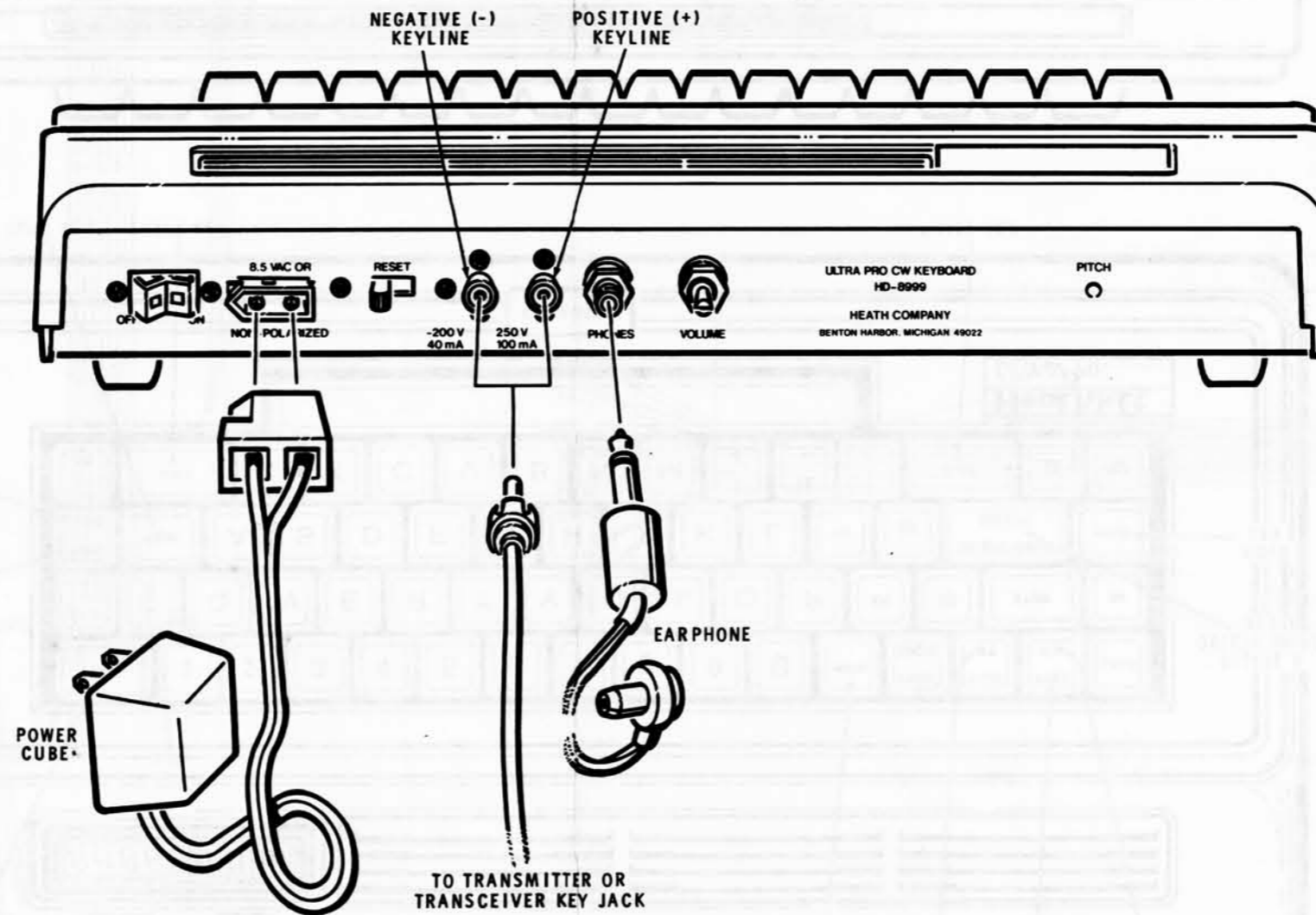
Detail 3-3A



PICTORIAL 4-1

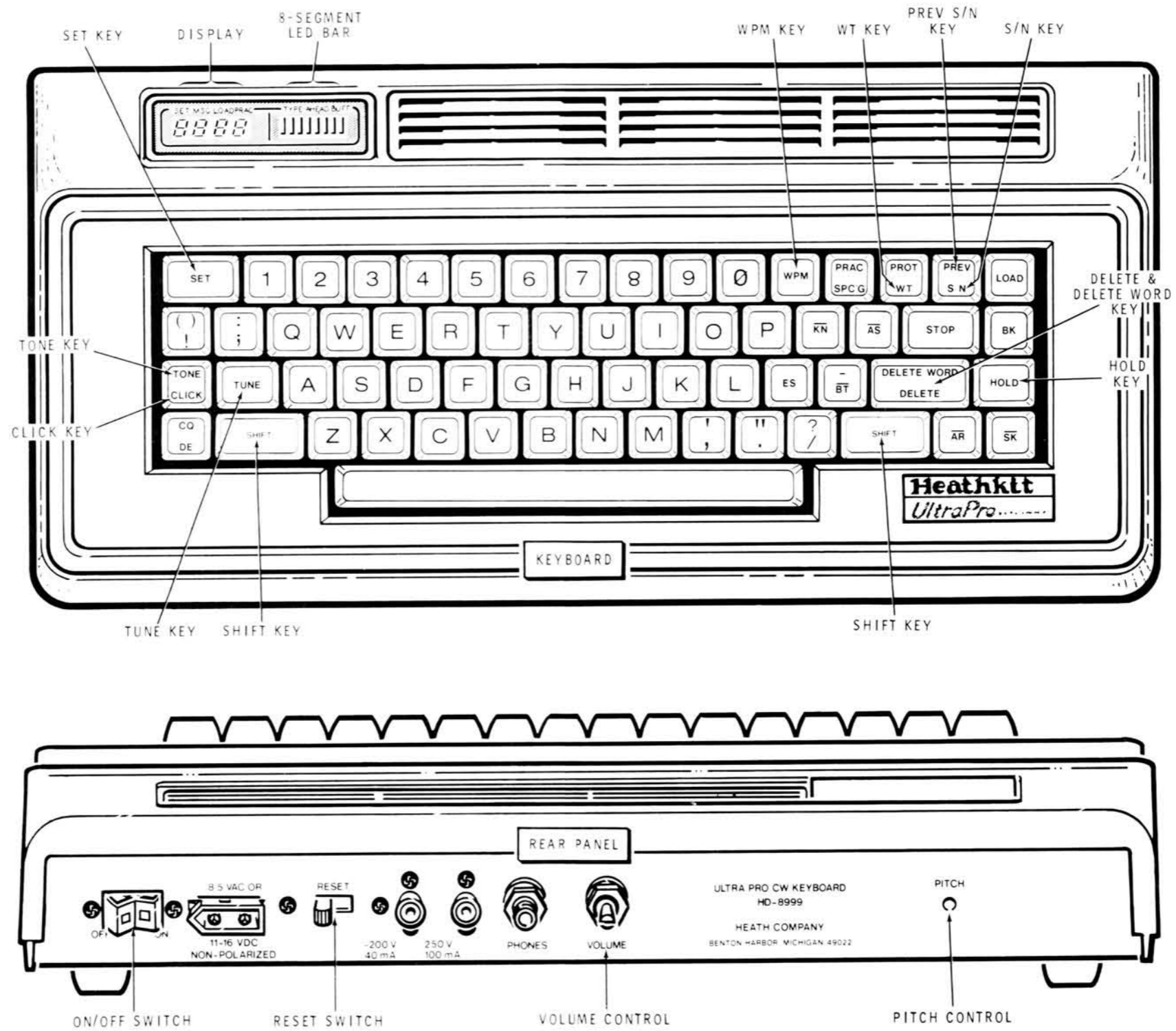


PICTORIAL 4-2



PICTORIAL 6-1





PICTORIAL 6-2