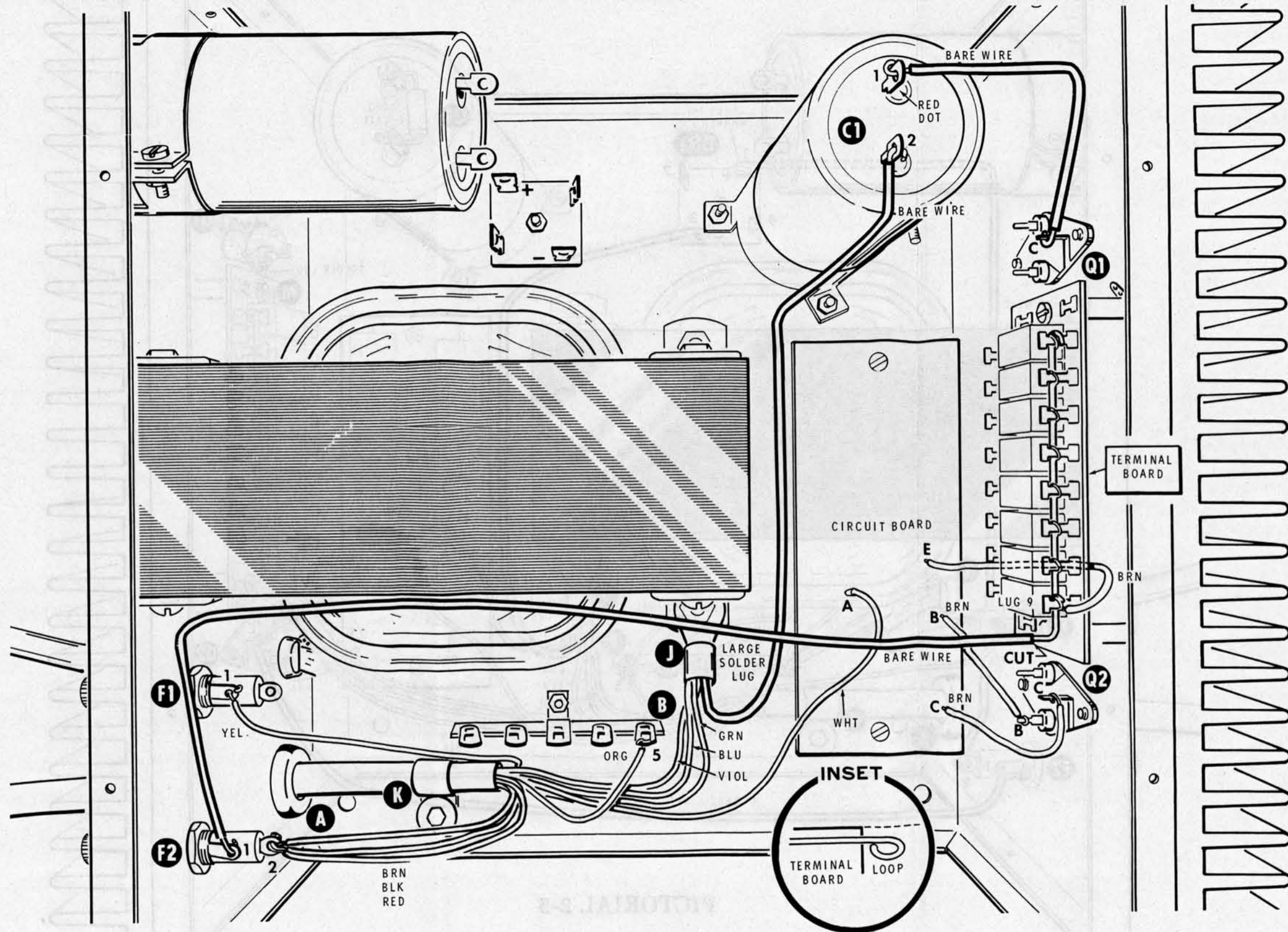
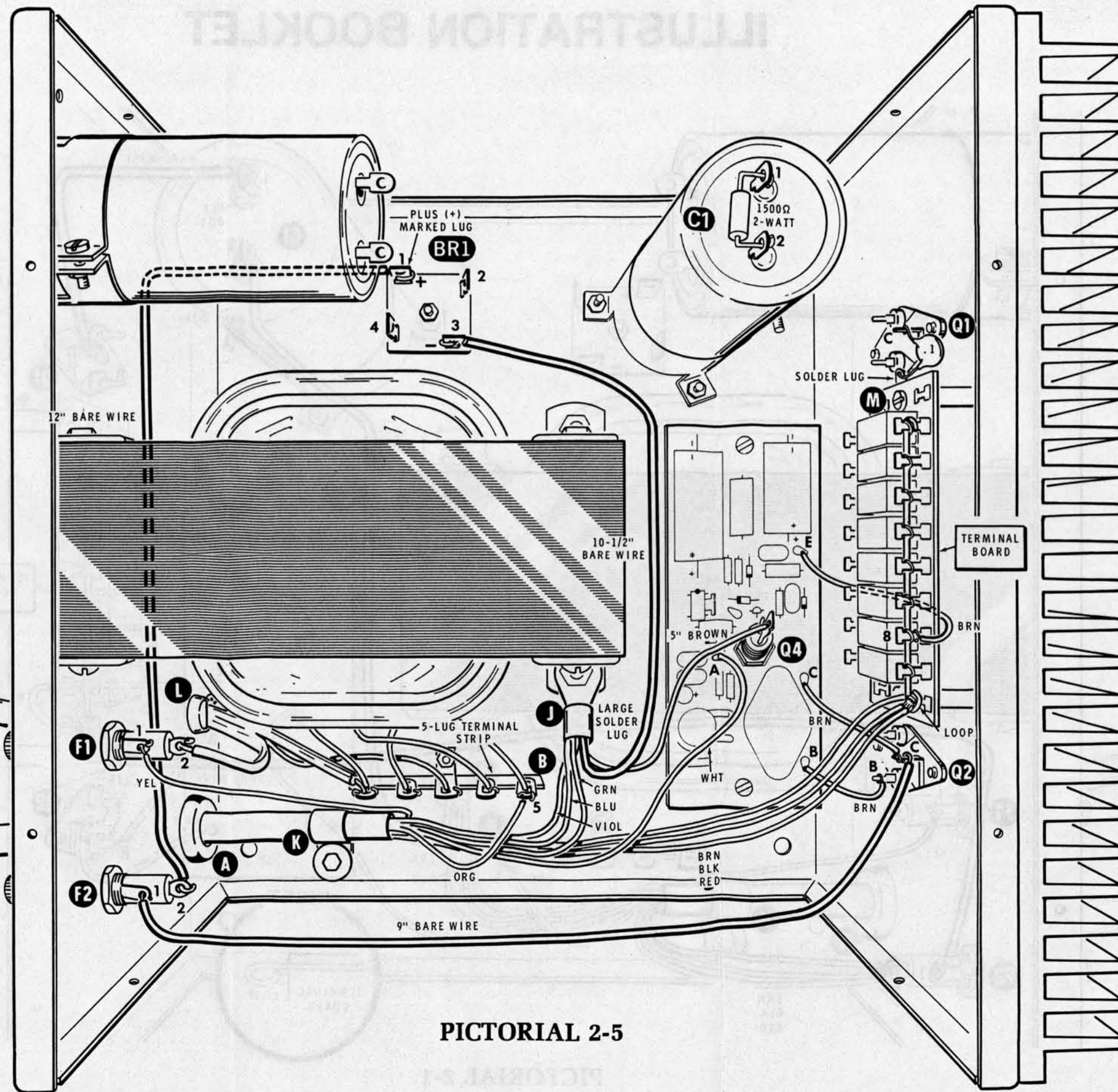


# ILLUSTRATION BOOKLET



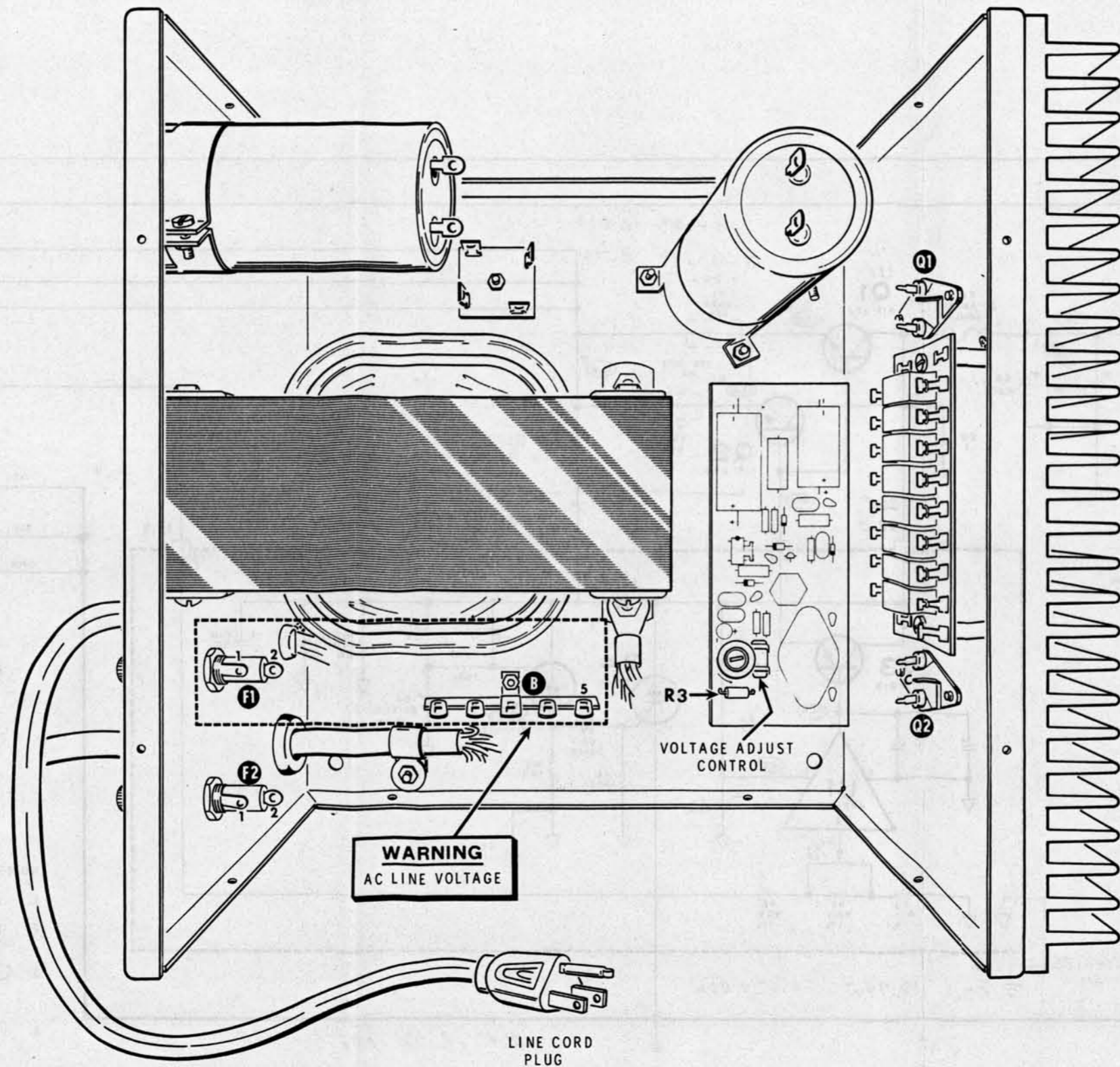
PICTORIAL 2-1





PICTORIAL 2-5

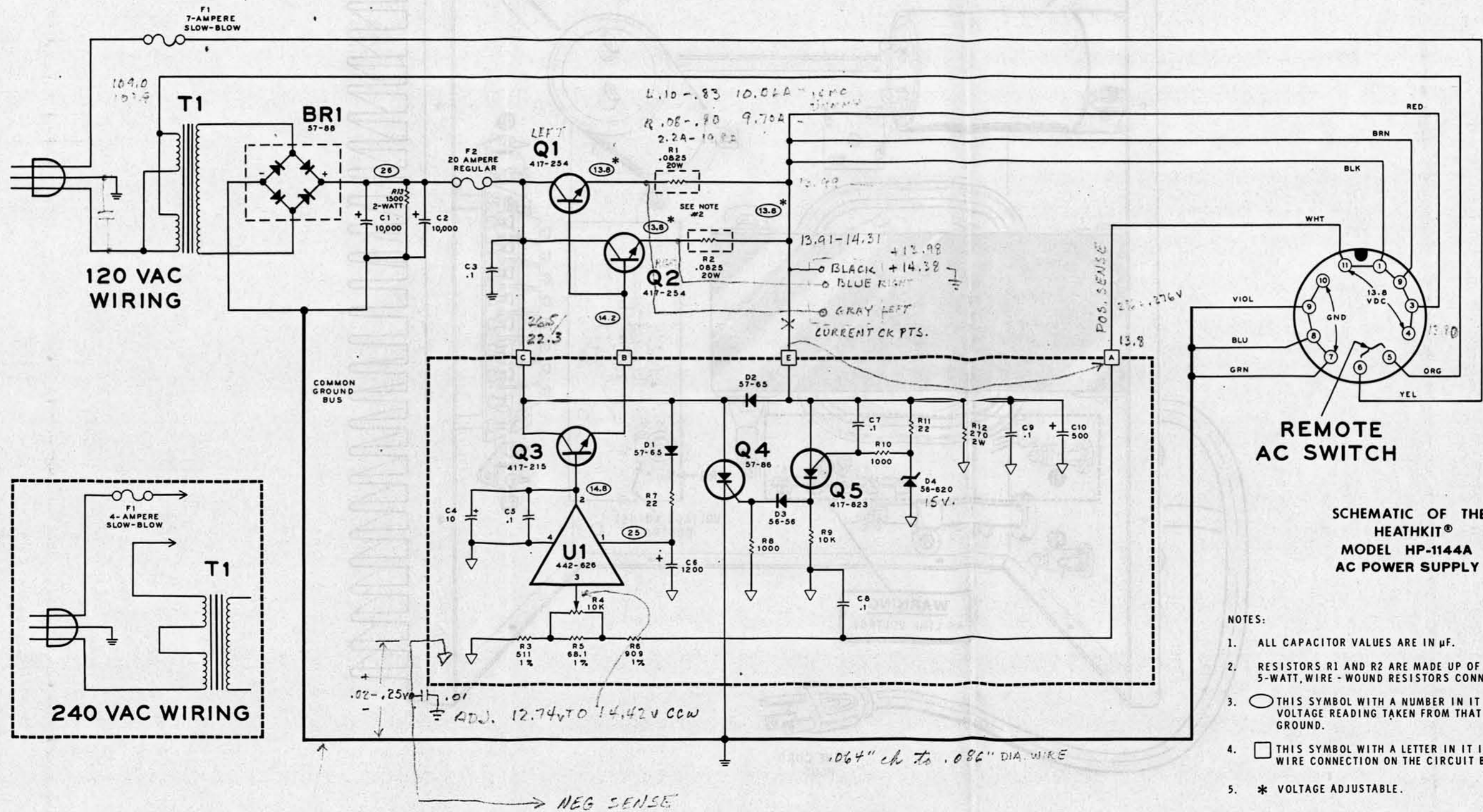




PICTORIAL 3-1



3.2 MC .82+.79-19.5A  
7.2 MC .93+.90-22.2A



### REMOTE AC SWITCH

### SCHEMATIC OF THE HEATHKIT® MODEL HP-1144A AC POWER SUPPLY

- NOTES:
1. ALL CAPACITOR VALUES ARE IN  $\mu\text{F}$ .
  2. RESISTORS R1 AND R2 ARE MADE UP OF FOUR  $.33\Omega$ , 5-WATT, WIRE-WOUND RESISTORS CONNECTED IN PARALLEL.
  3. ○ THIS SYMBOL WITH A NUMBER IN IT INDICATES A DC VOLTAGE READING TAKEN FROM THAT POINT TO CHASSIS GROUND.
  4. □ THIS SYMBOL WITH A LETTER IN IT INDICATES A WIRE CONNECTION ON THE CIRCUIT BOARD.
  5. \* VOLTAGE ADJUSTABLE.

NL FL  
13.79-13.71V

PICTORIAL 3-1