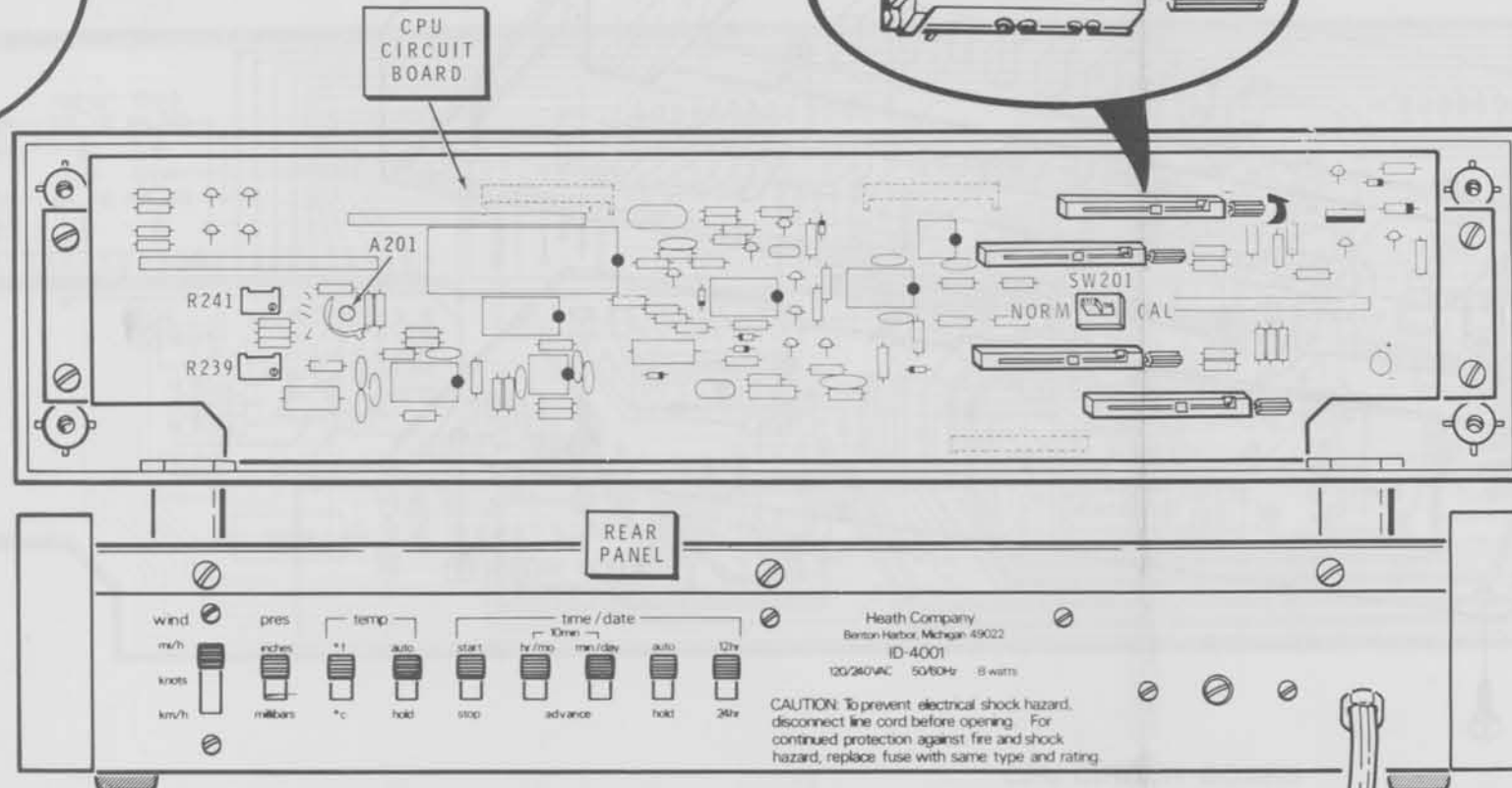
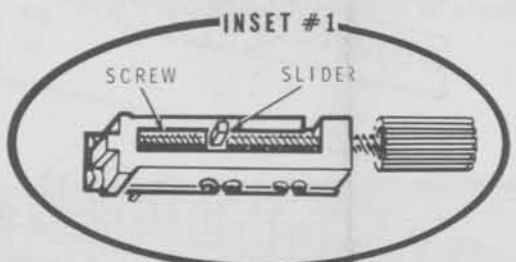
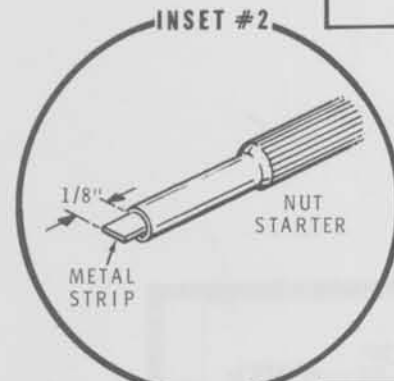
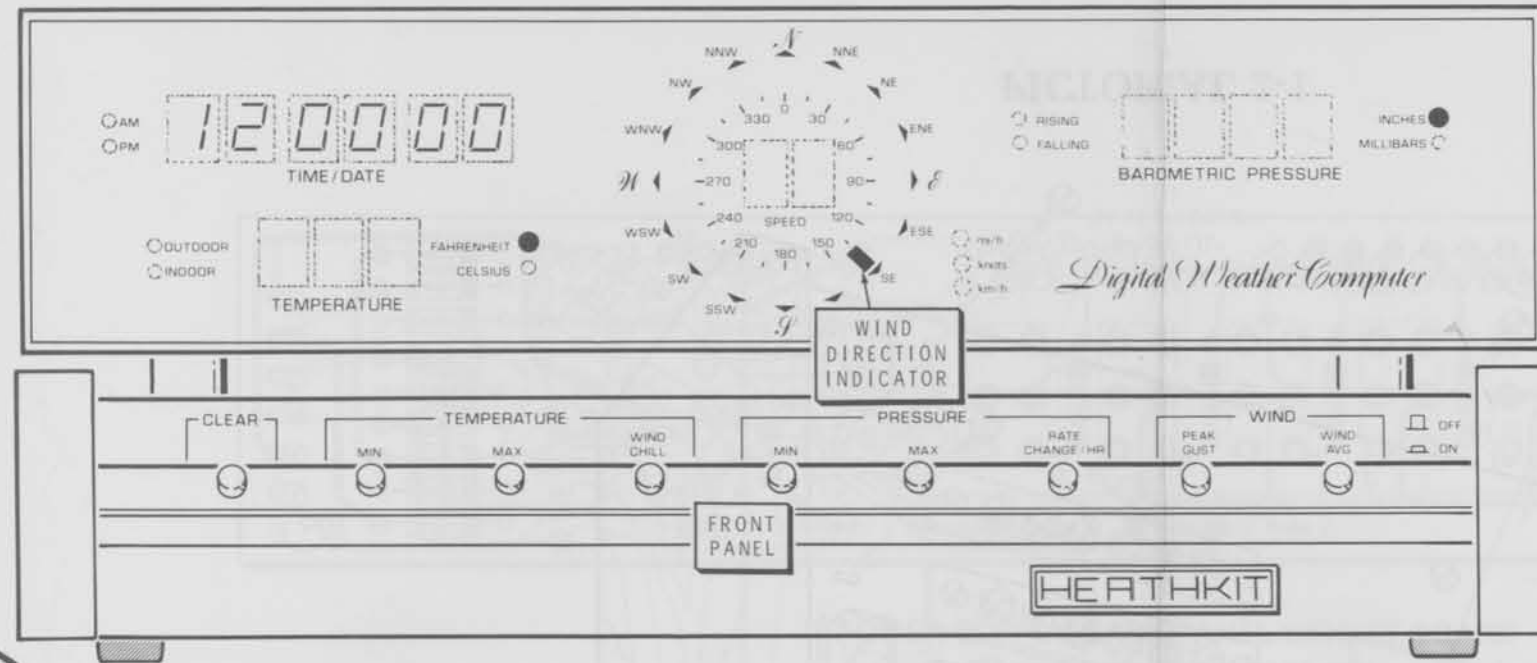


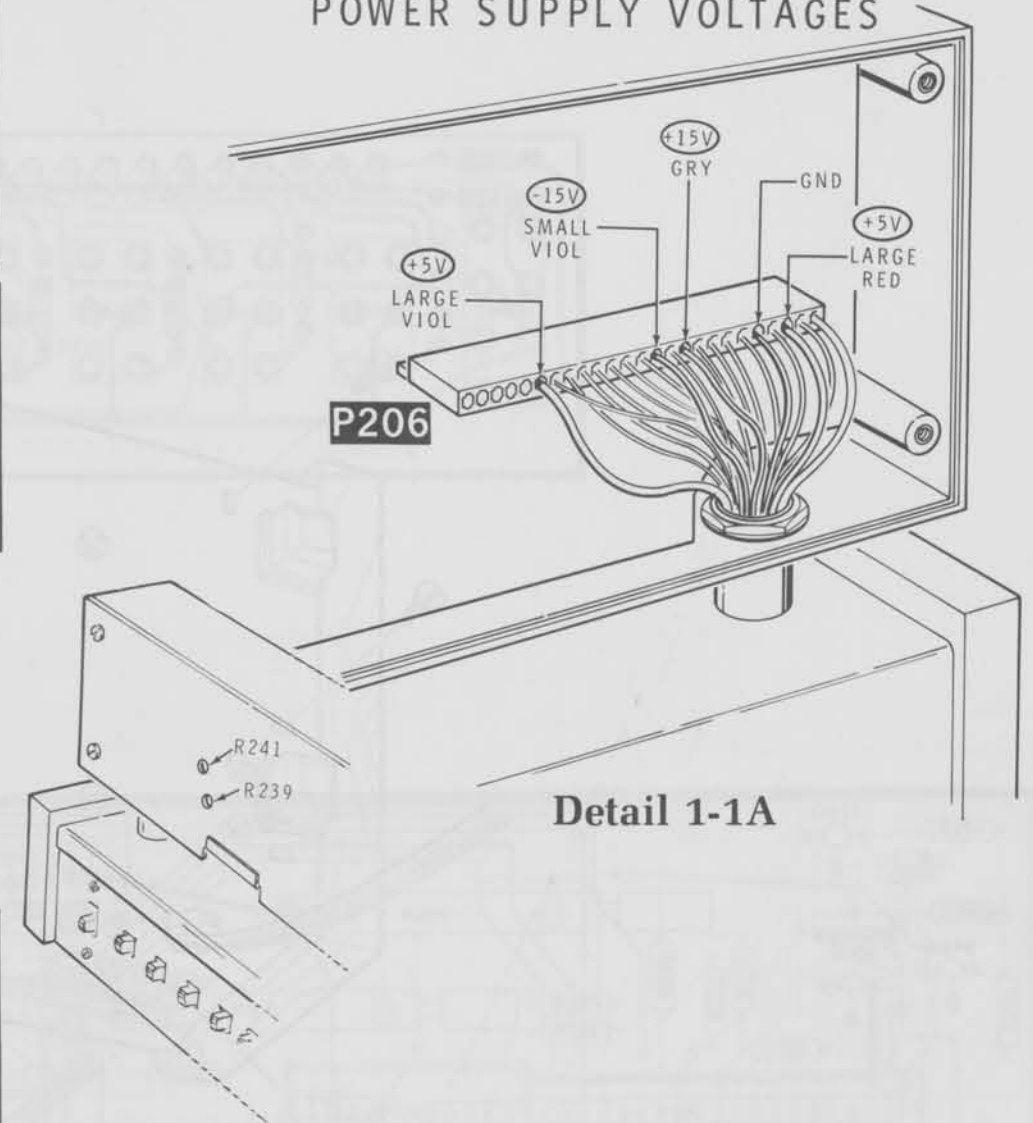
# ILLUSTRATION BOOKLET

Part of 595-2185-08



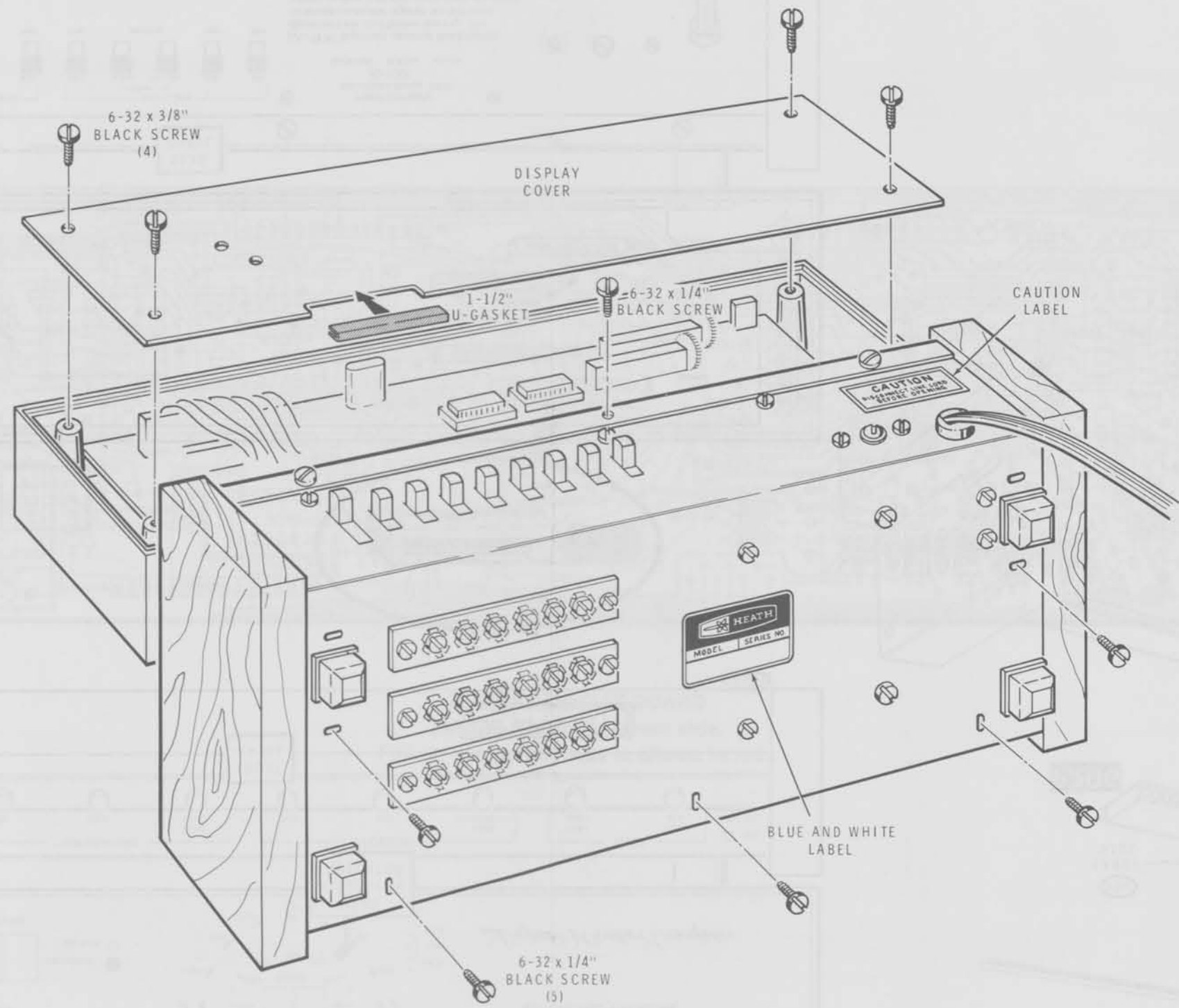
PICTORIAL 1-1

## POWER SUPPLY VOLTAGES

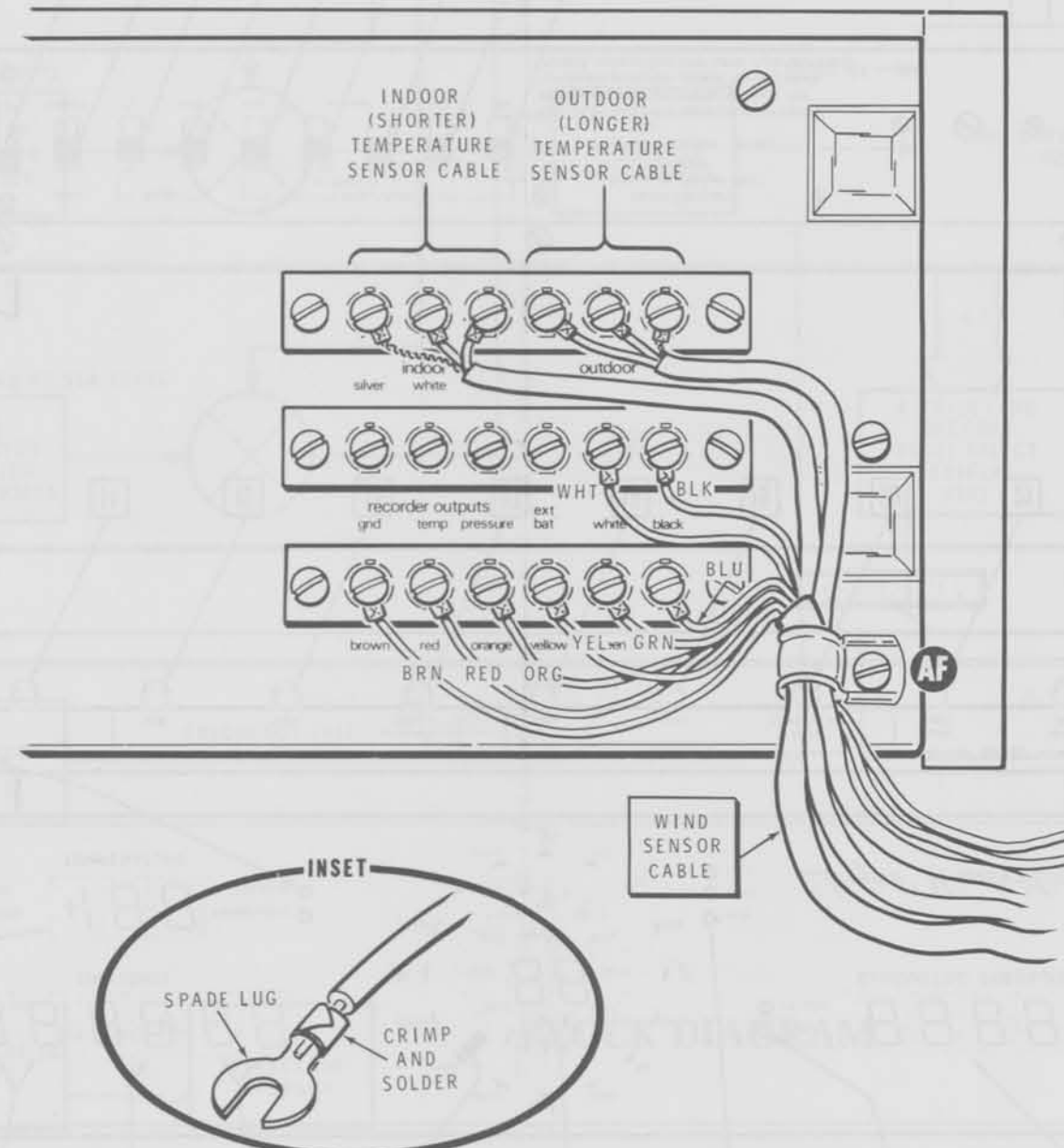


Detail 1-1A

CAUTION: To prevent electrical shock hazard, disconnect line cord before opening. For continued protection against fire and shock hazard, replace fuse with same type and rating.

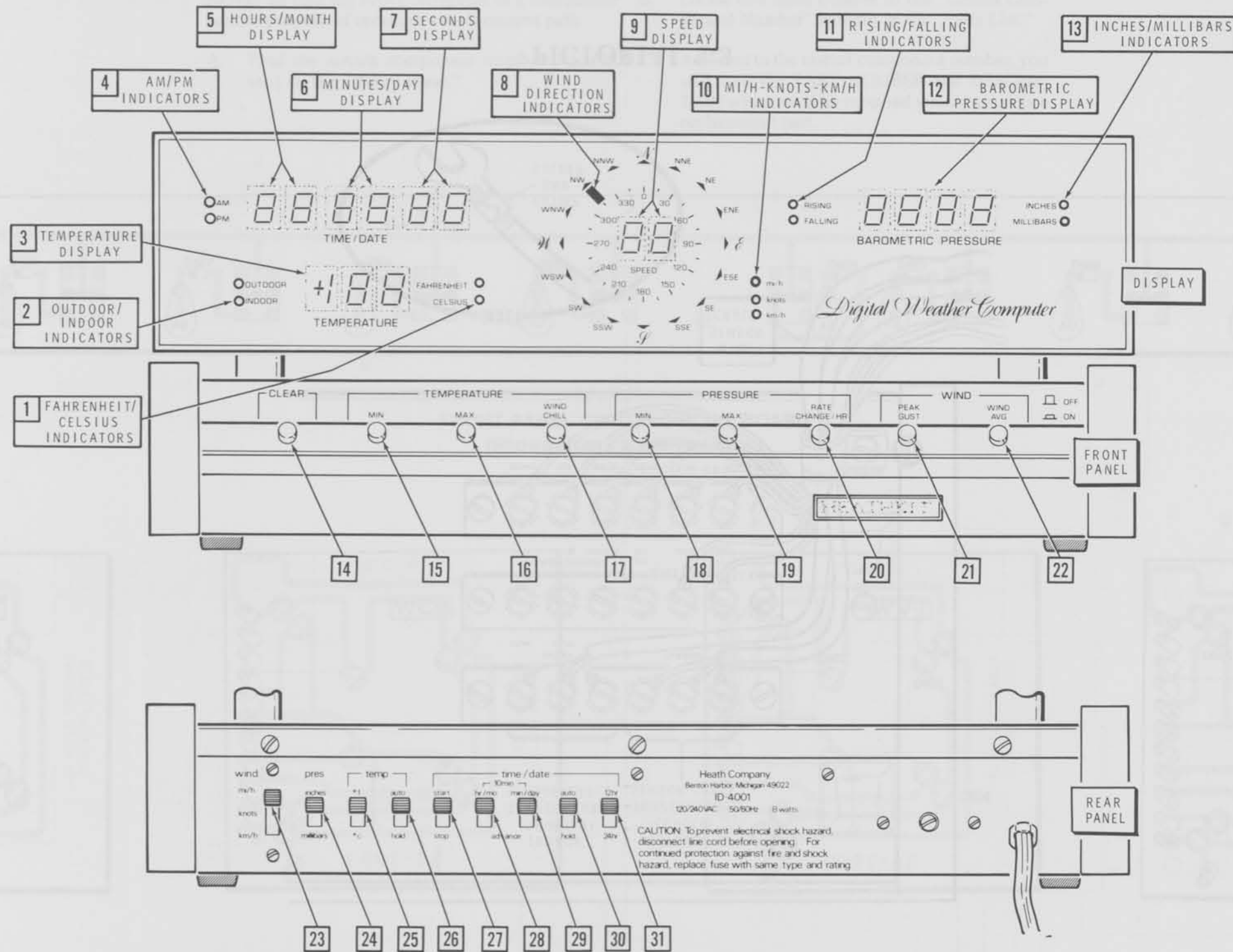


PICTORIAL 2-1



PICTORIAL 3-3

# CIRCUIT BOARD X-RAY VIEWS



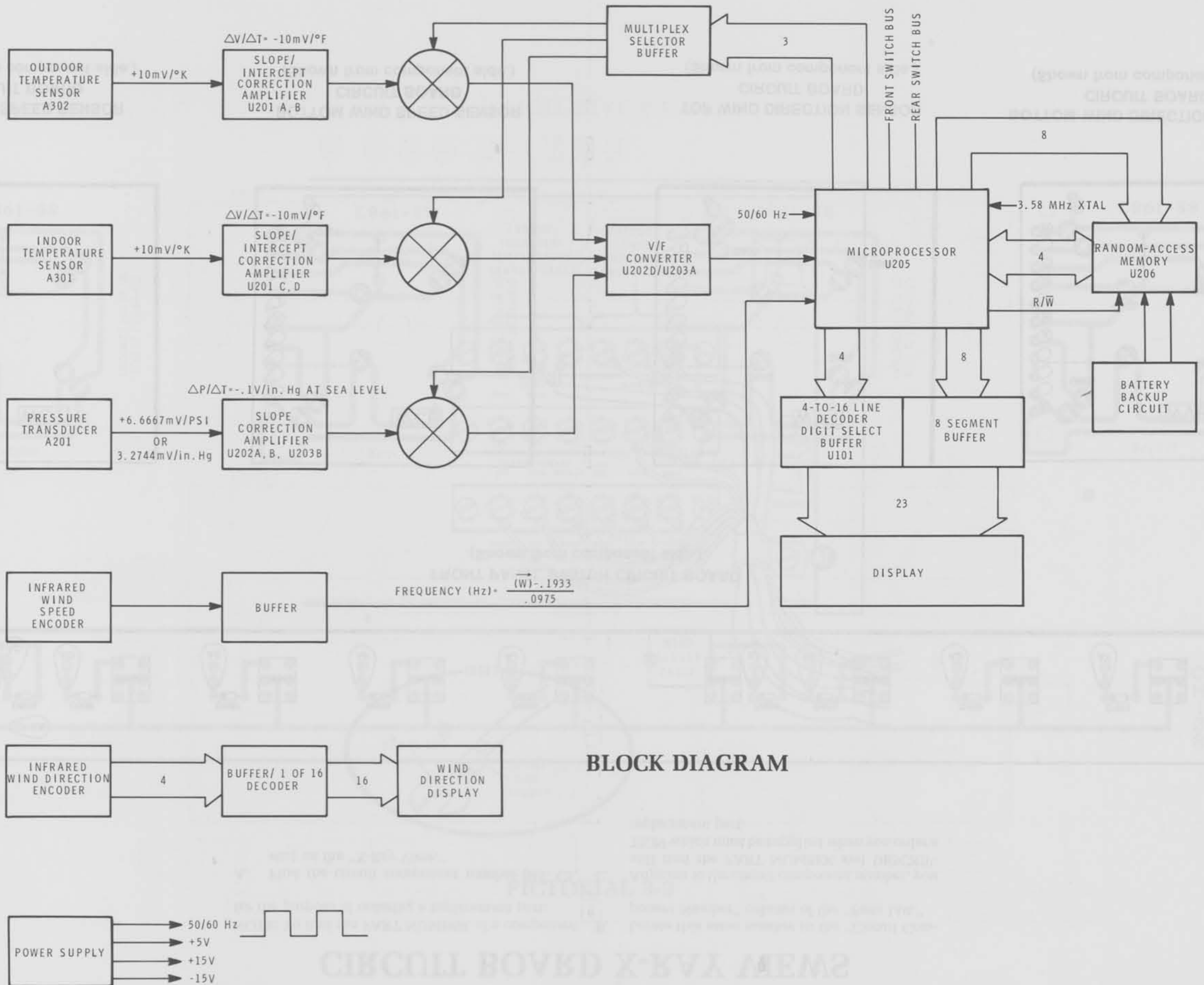
PICTORIAL 4-1

TOP WIND SPEED SENSOR CIRCUIT BOARD (Shown from component side)

BOTTOM WIND SPEED SENSOR CIRCUIT BOARD (Shown from component side)

TOP WIND DIRECTION SENSOR CIRCUIT BOARD (Shown from component side)

BOTTOM WIND DIRECTION SENSOR CIRCUIT BOARD (Shown from component side)



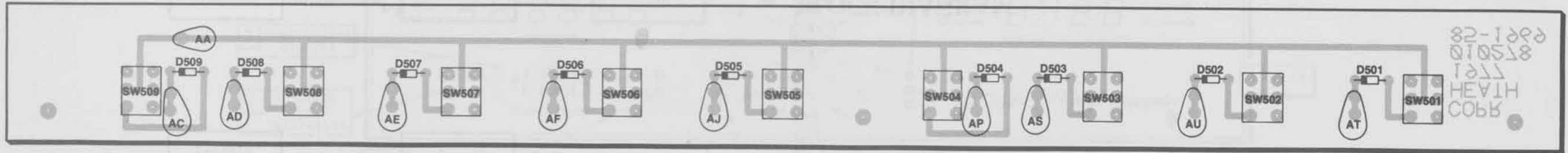
**BLOCK DIAGRAM**



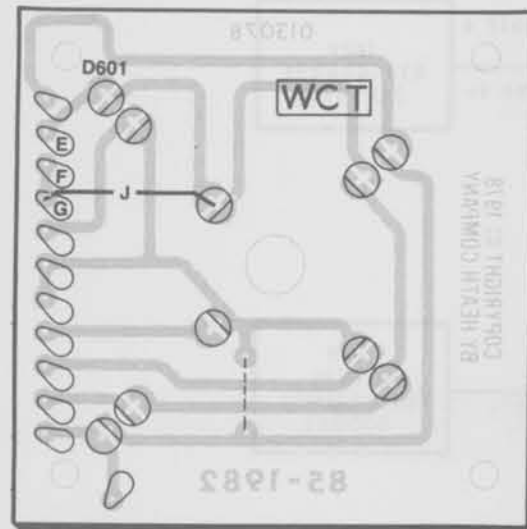
# CIRCUIT BOARD X-RAY VIEWS

NOTE: To find the PART NUMBER of a component B. Locate this same number in the "Circuit Component Number" column of the "Parts List."

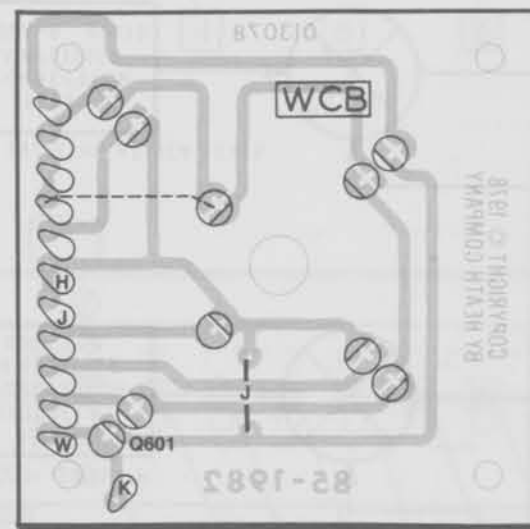
- A. Find the circuit component number (R5, C3, etc.) on the "X-Ray View."
- C. Adjacent to the circuit component number, you will find the PART NUMBER and DESCRIPTION which must be supplied when you order a replacement part.



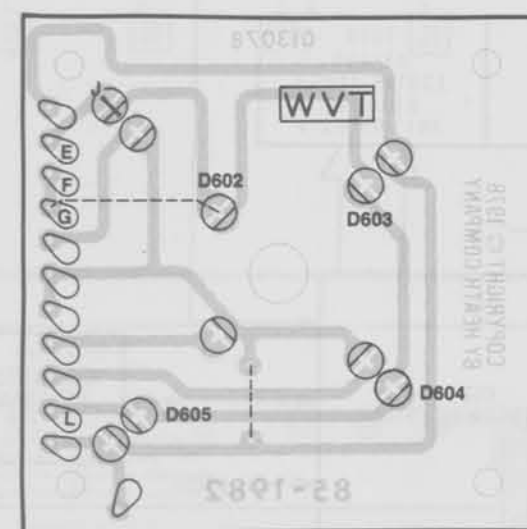
FRONT PANEL SWITCH CIRCUIT BOARD  
(Shown from component side.)



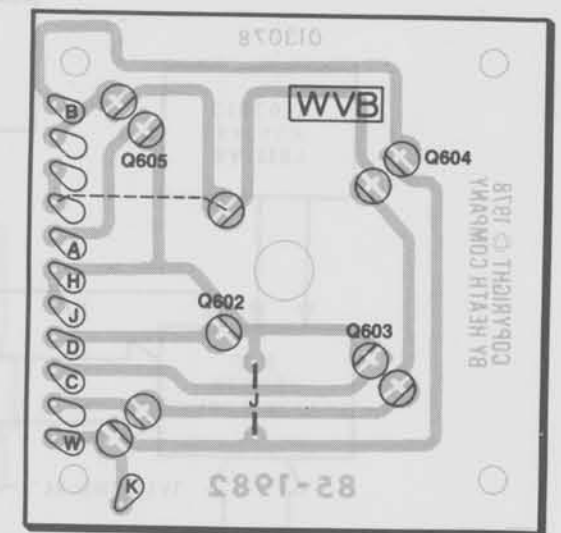
TOP WIND SPEED SENSOR CIRCUIT BOARD  
(Shown from component side.)



BOTTOM WIND SPEED SENSOR CIRCUIT BOARD  
(Shown from component side.)

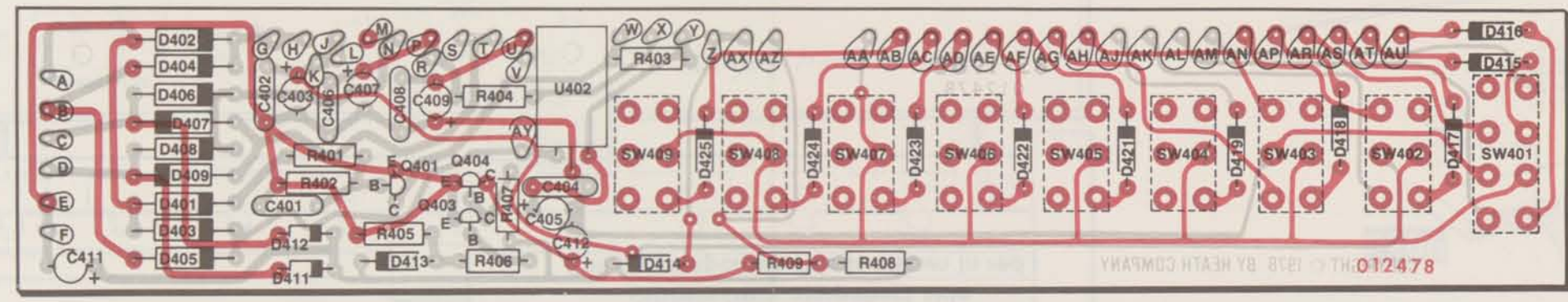


TOP WIND DIRECTION SENSOR CIRCUIT BOARD  
(Shown from component side.)

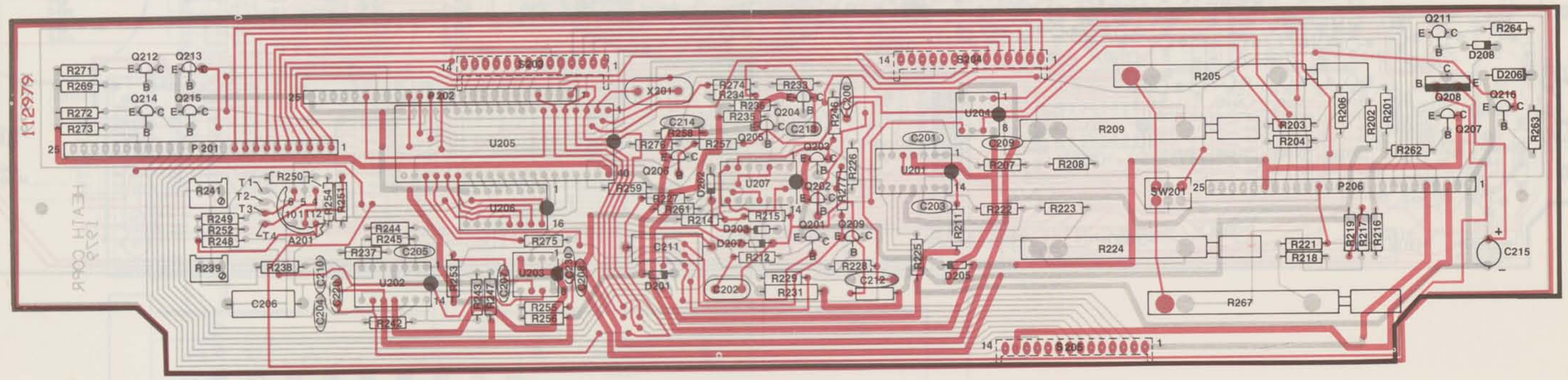


BOTTOM WIND DIRECTION SENSOR CIRCUIT BOARD  
(Shown from component side.)



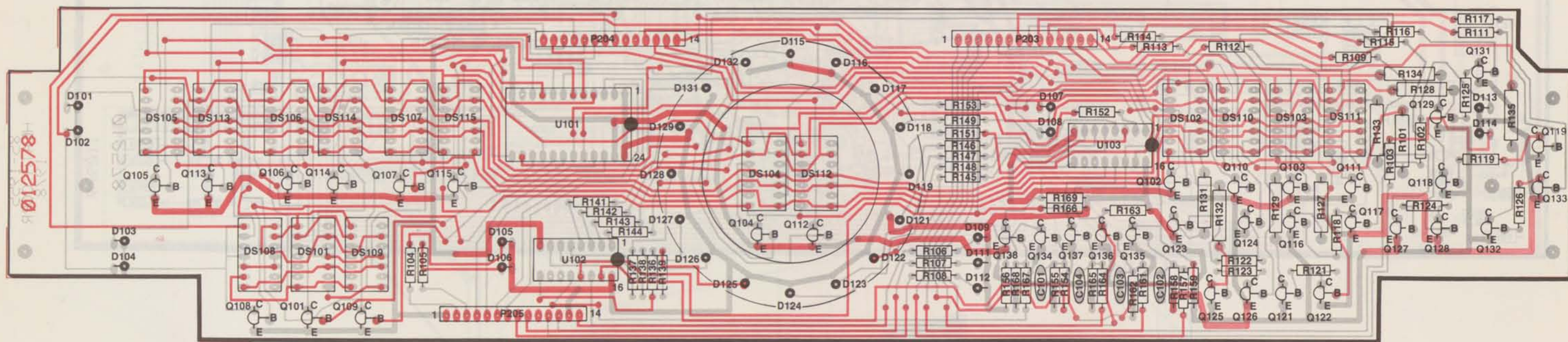


**POWER SUPPLY/BACK PANEL CIRCUIT BOARD**  
 (Shown from component side.  
 Foil on component side is shown in red.)



**CPU CIRCUIT BOARD**  
 (Shown from component side.  
 Foil on component side is shown in red.)





**DISPLAY CIRCUIT BOARD**  
(Shown from component side.  
Foil on component side is shown in red.)