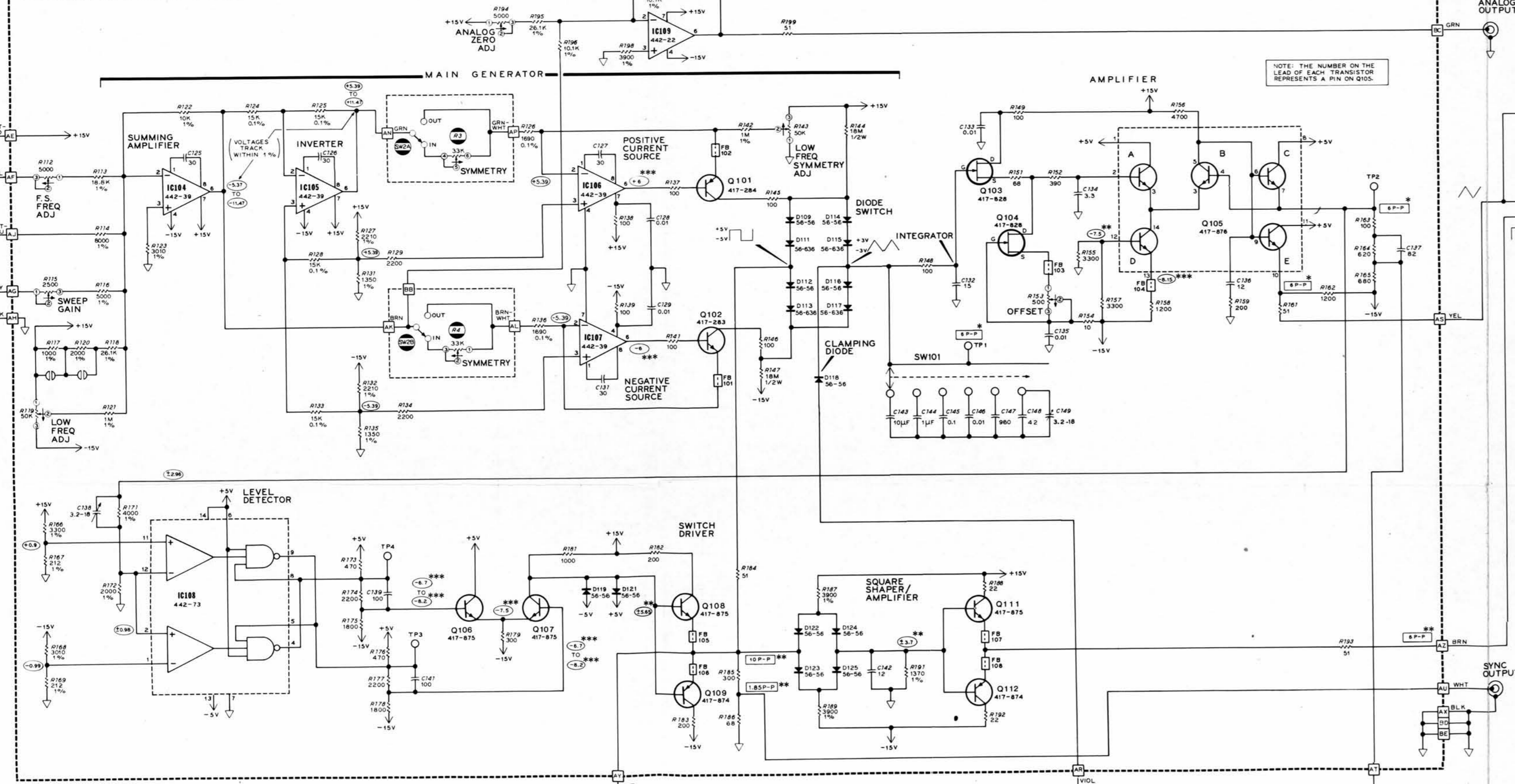
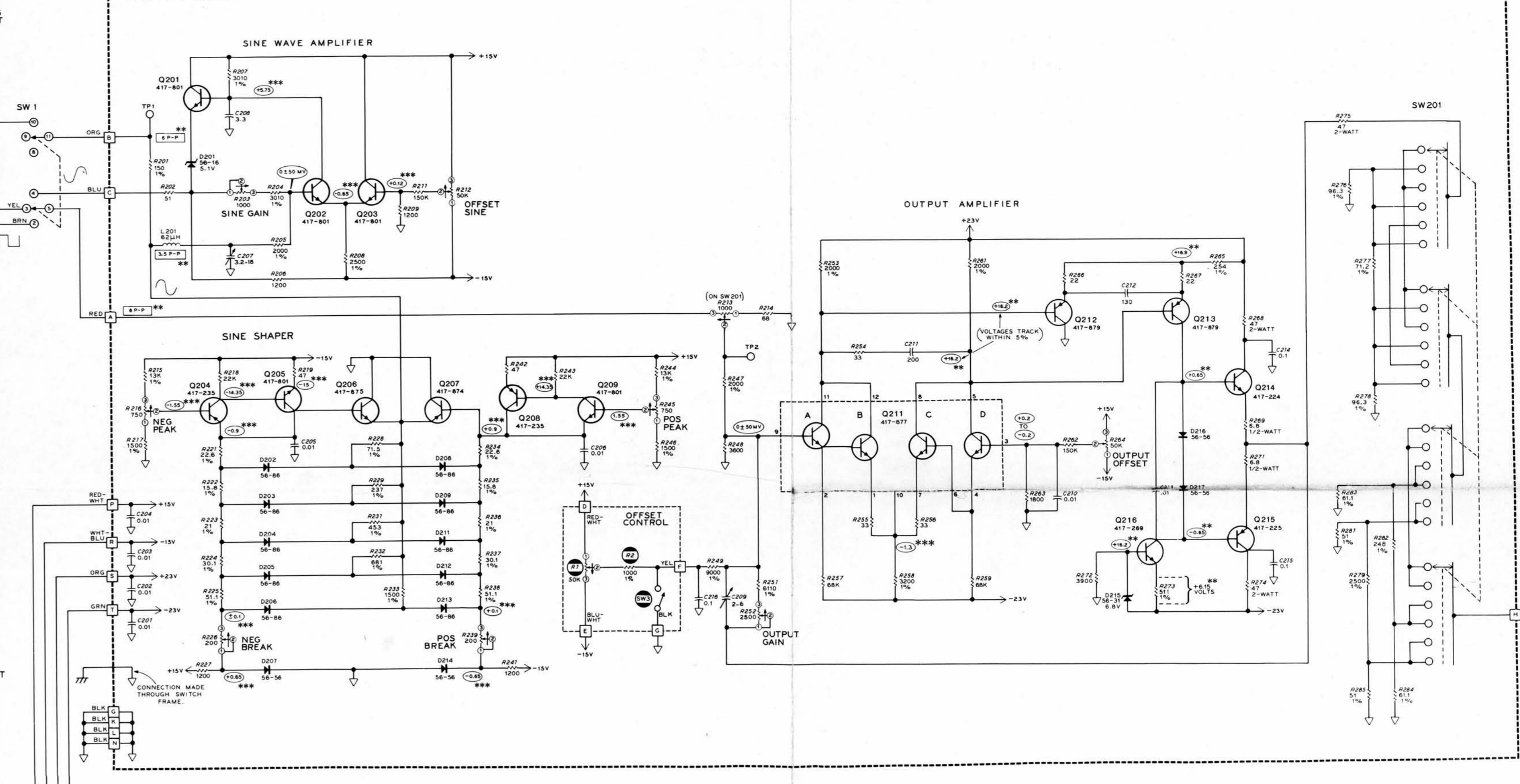


GENERATOR CIRCUIT BOARD



OUTPUT CIRCUIT BOARD



SWEEP CIRCUIT BOARD

