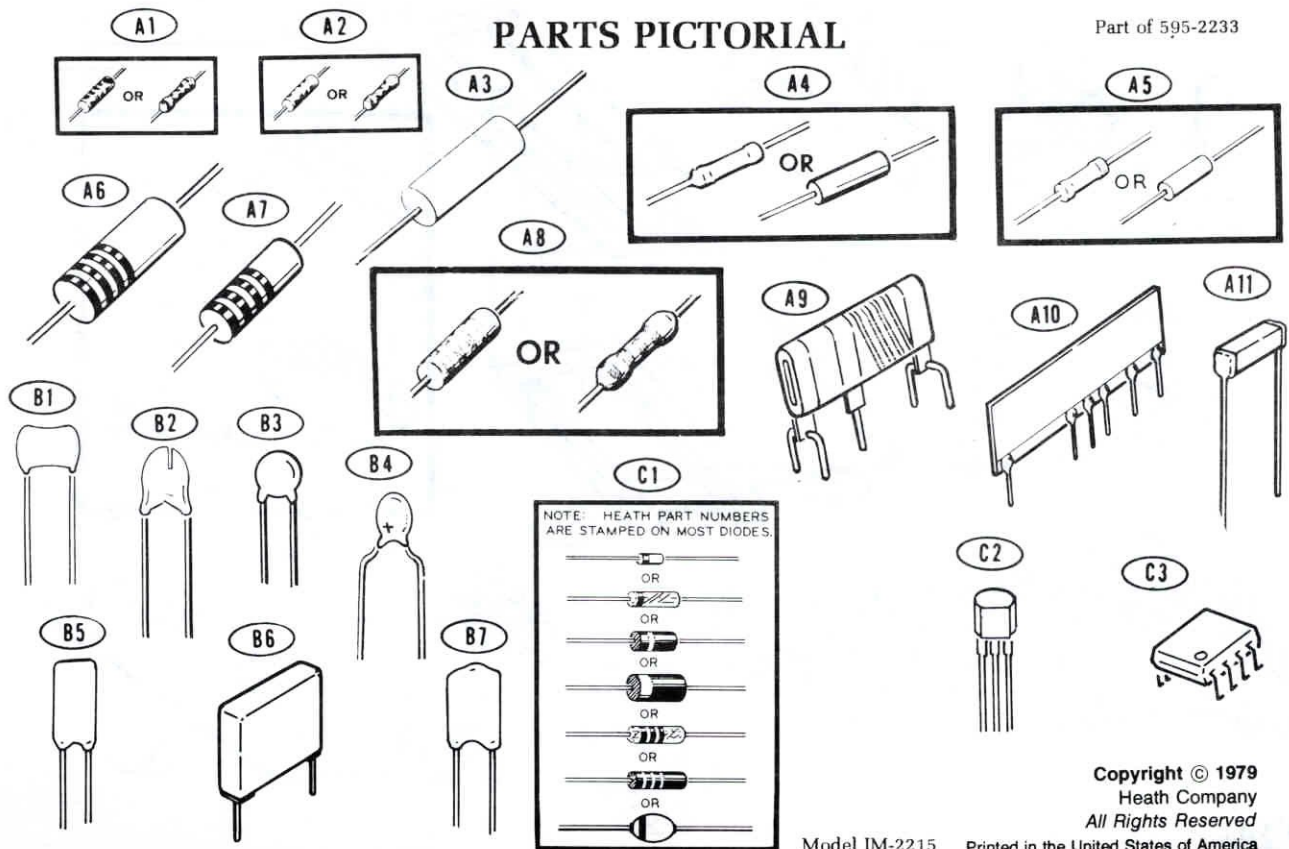


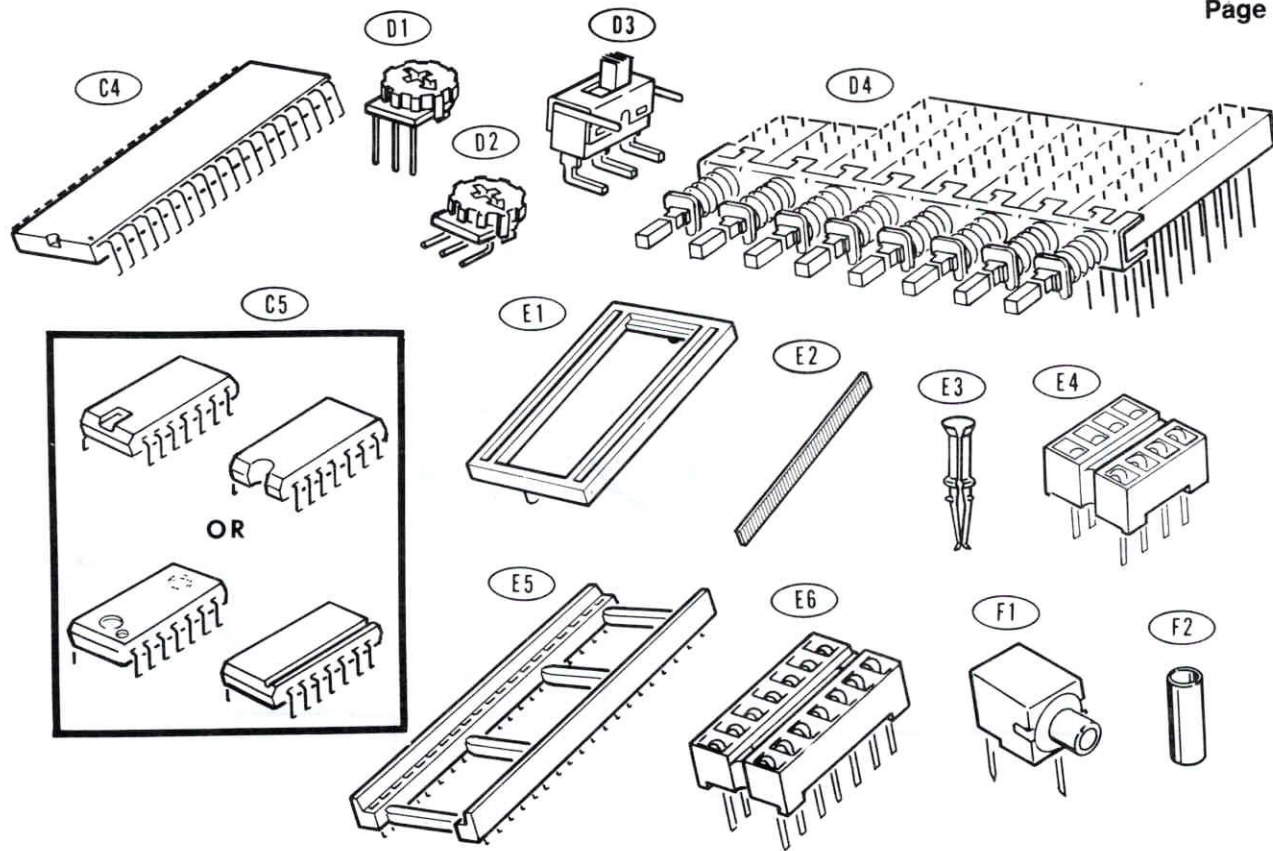
ILLUSTRATION BOOKLET

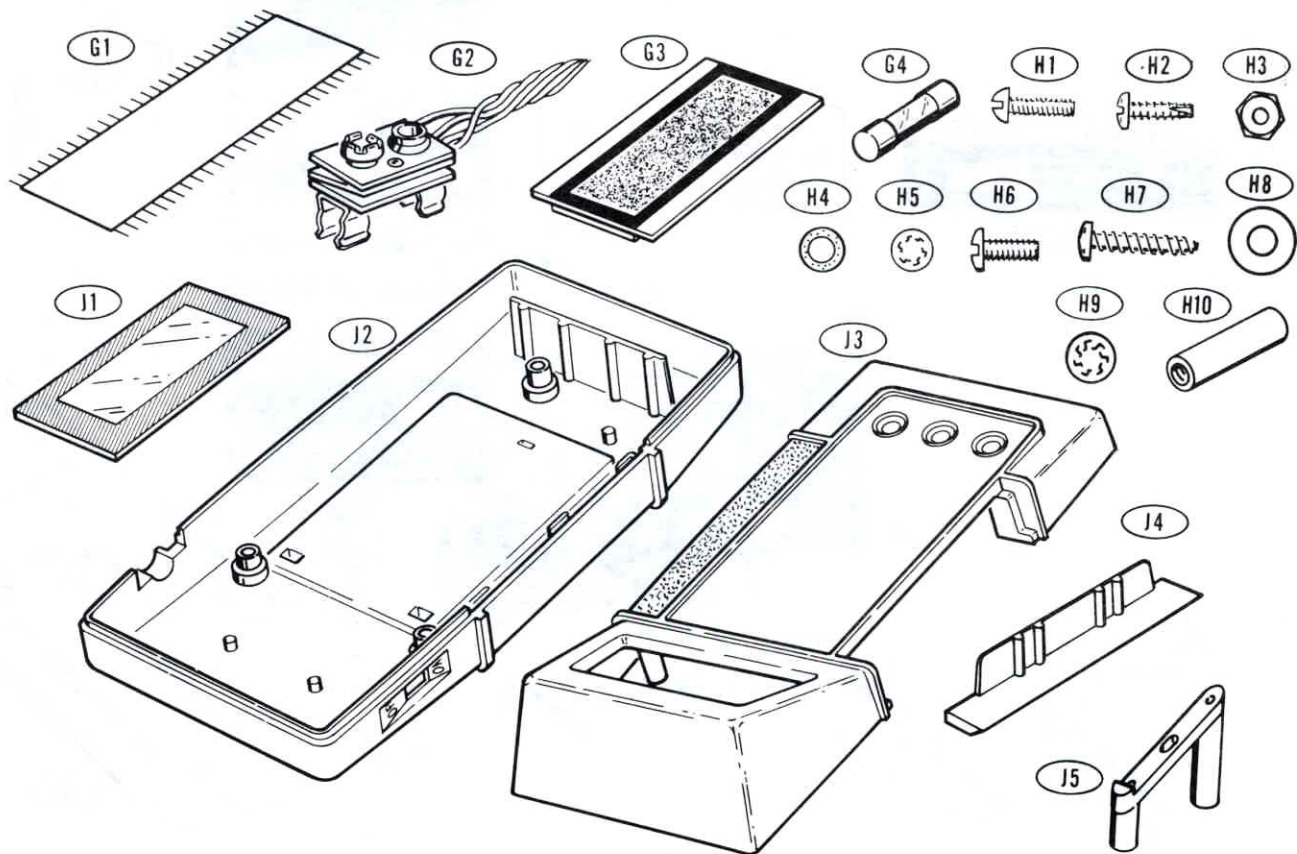
PARTS PICTORIAL

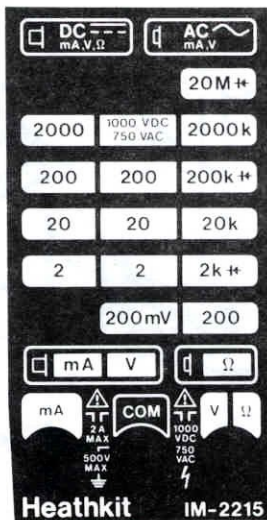
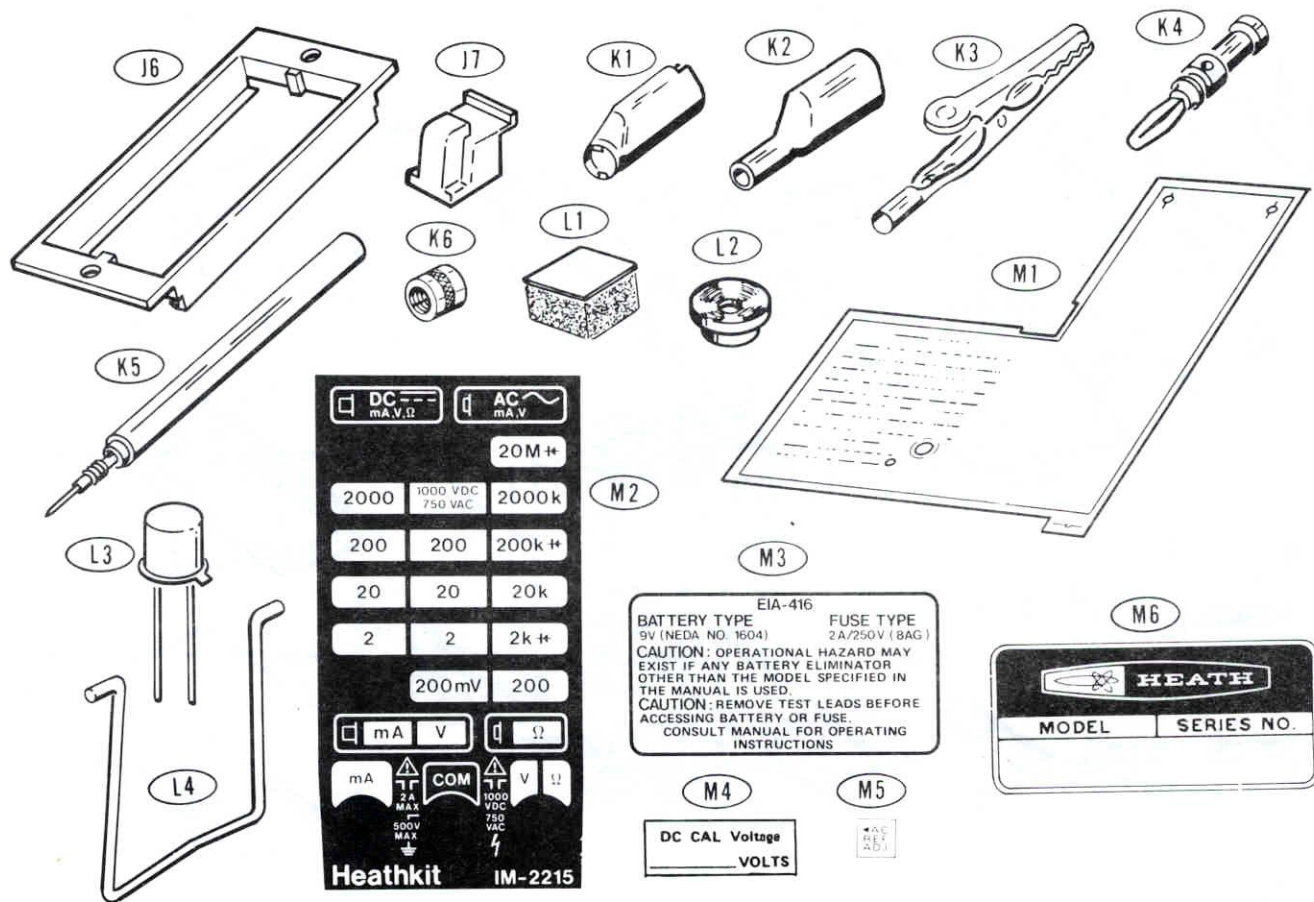
Part of 595-2233



Copyright © 1979
 Heath Company
 All Rights Reserved

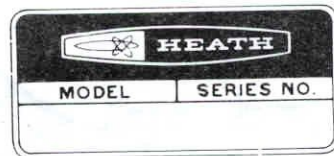


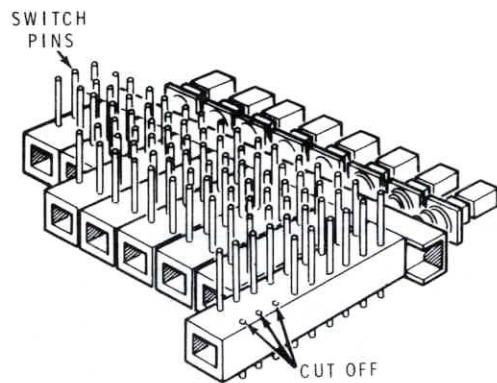




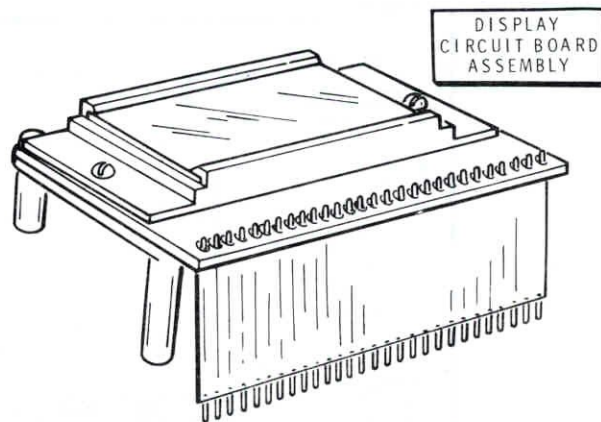
EIA-416
 BATTERY TYPE 9V (NEDA NO. 1604)
 FUSE TYPE 2A/250V (BAG)
 CAUTION: OPERATIONAL HAZARD MAY EXIST IF ANY BATTERY ELIMINATOR OTHER THAN THE MODEL SPECIFIED IN THE MANUAL IS USED.
 CAUTION: REMOVE TEST LEADS BEFORE ACCESSING BATTERY OR FUSE.
 CONSULT MANUAL FOR OPERATING INSTRUCTIONS

DC CAL Voltage
 VOLTS

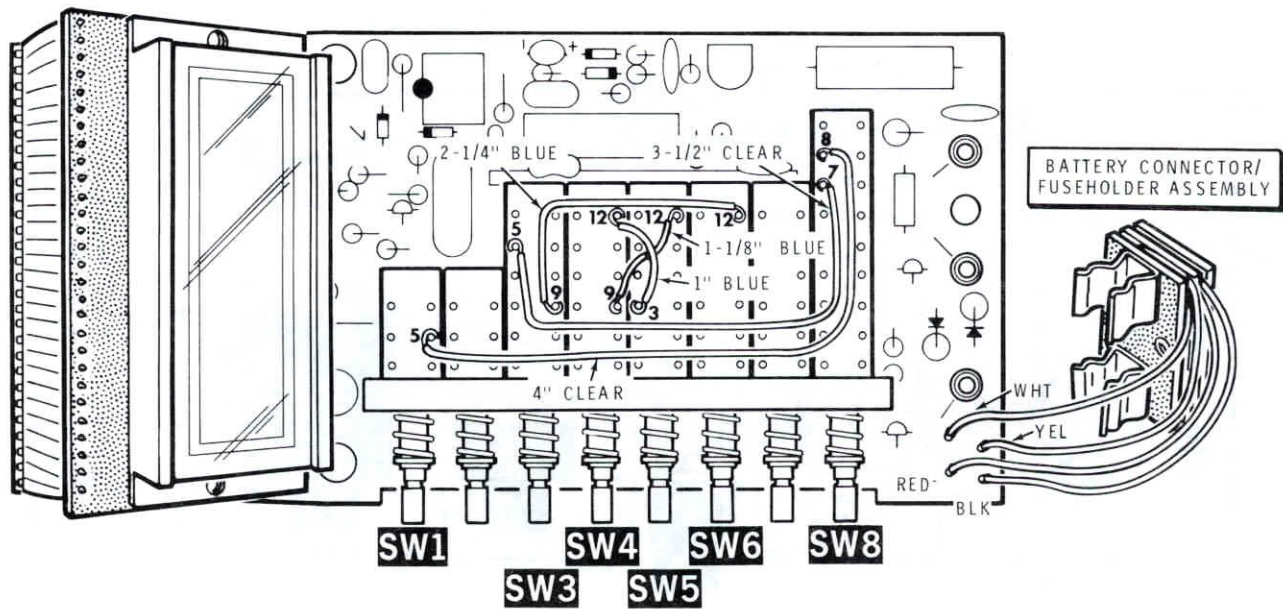




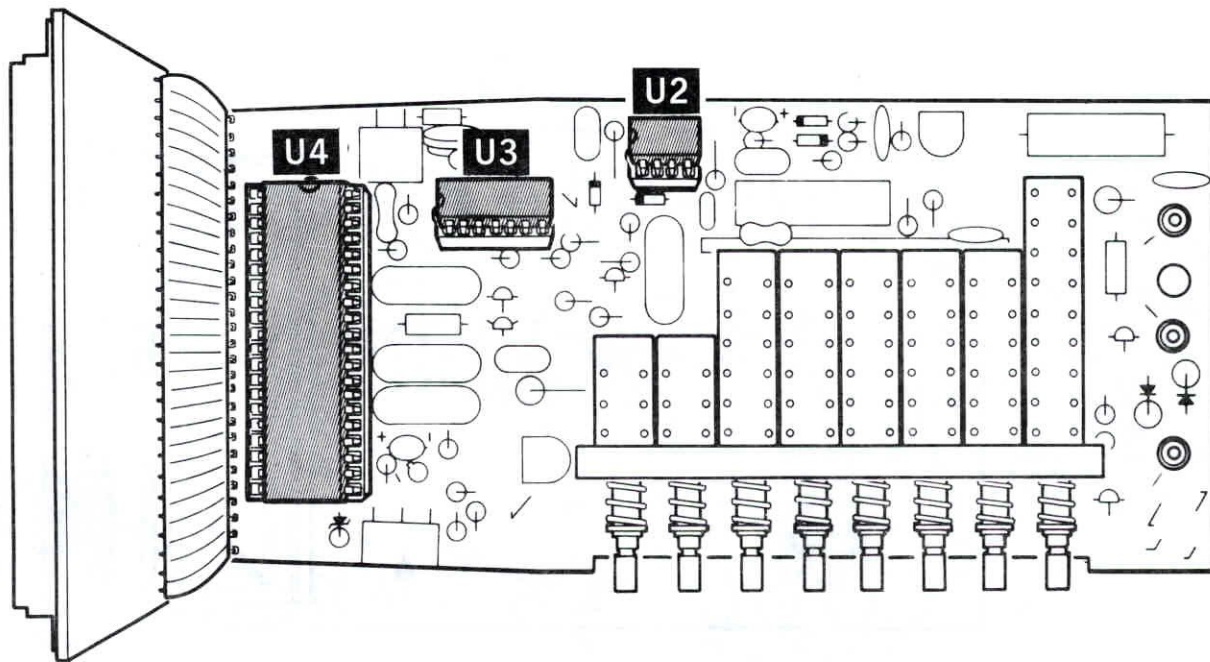
Detail 1-17A



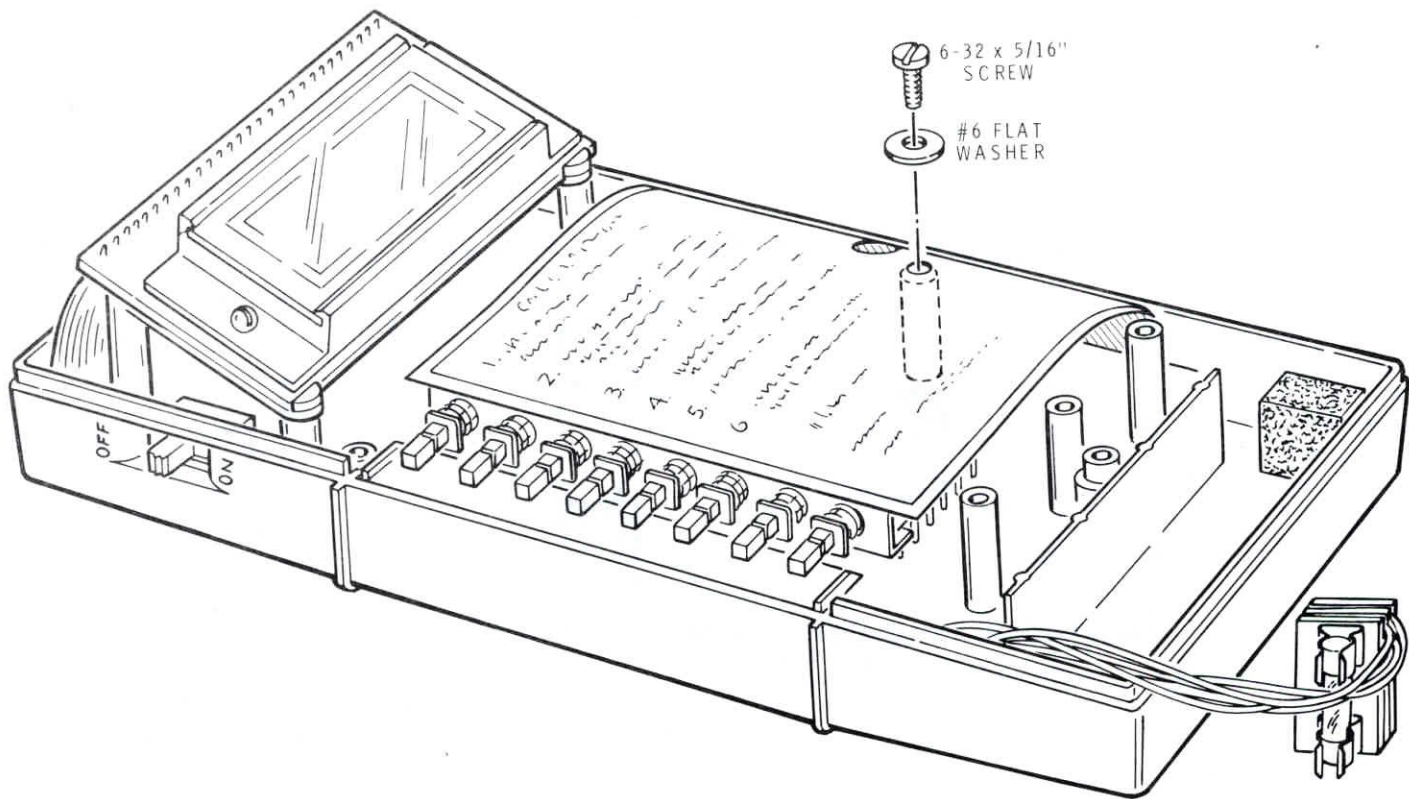
PICTORIAL 2-1



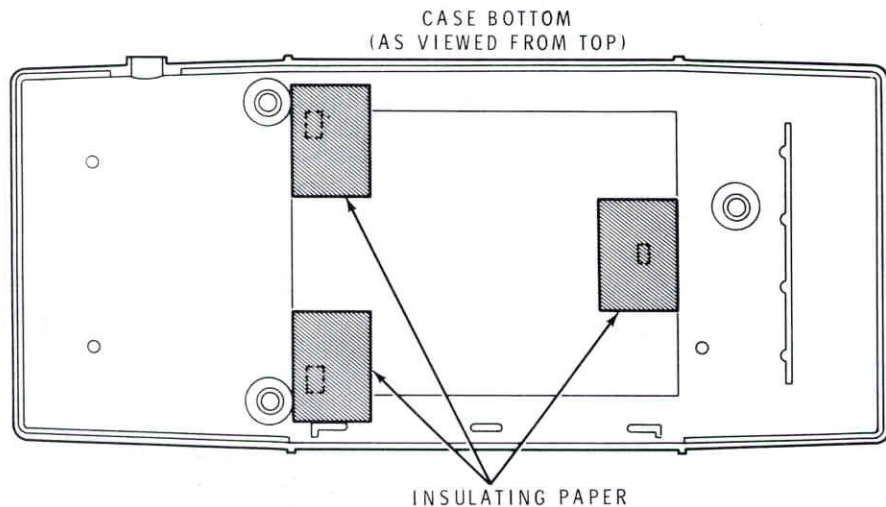
PICTORIAL 2-2



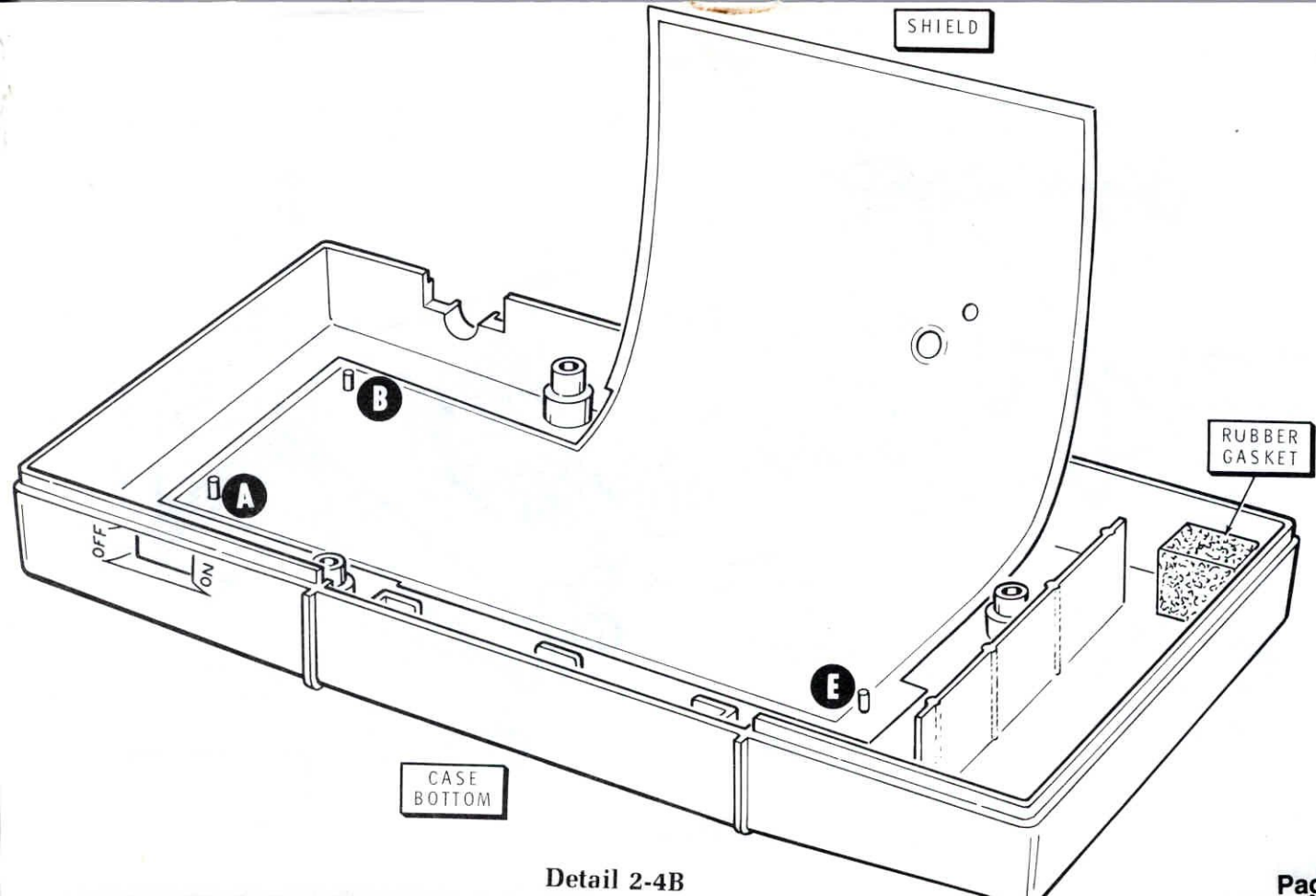
PICTORIAL 2-3



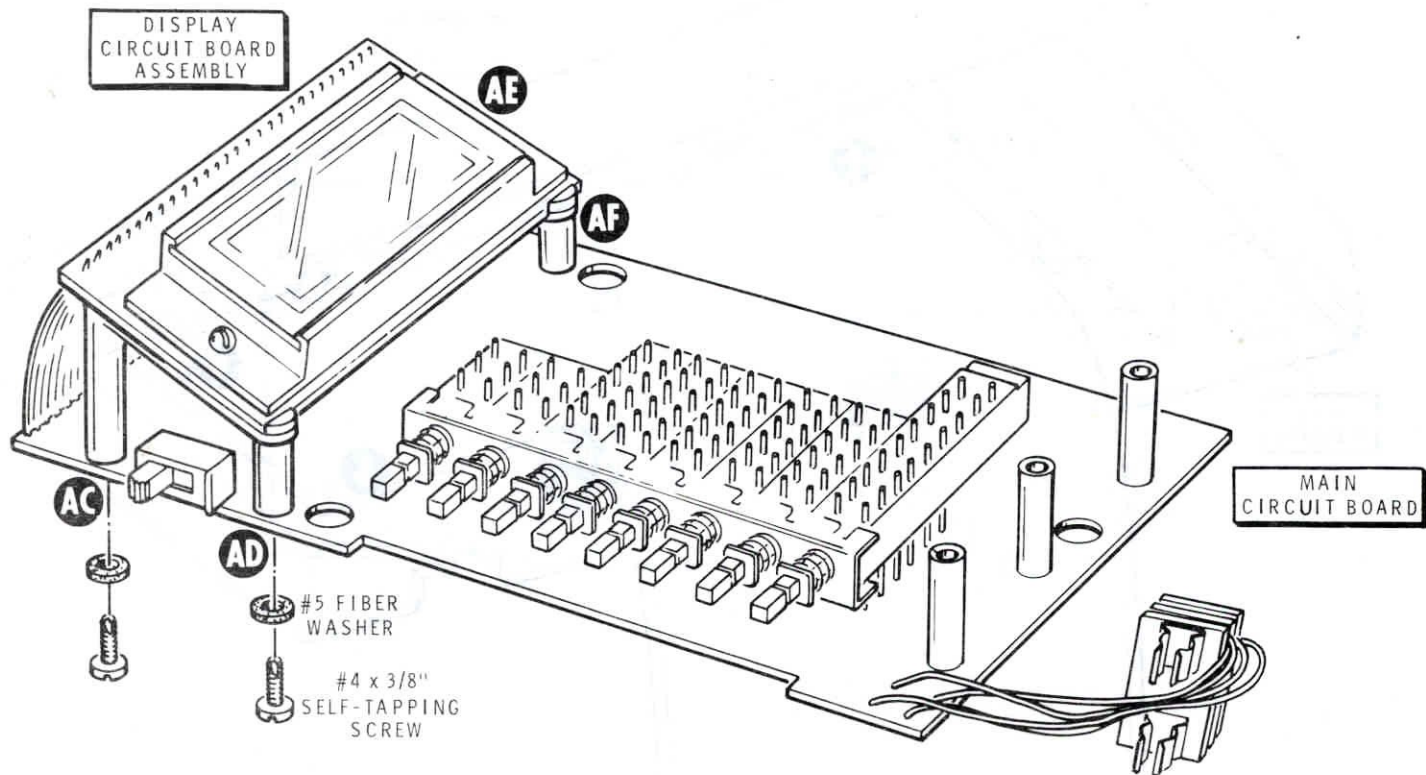
PICTORIAL 2-4



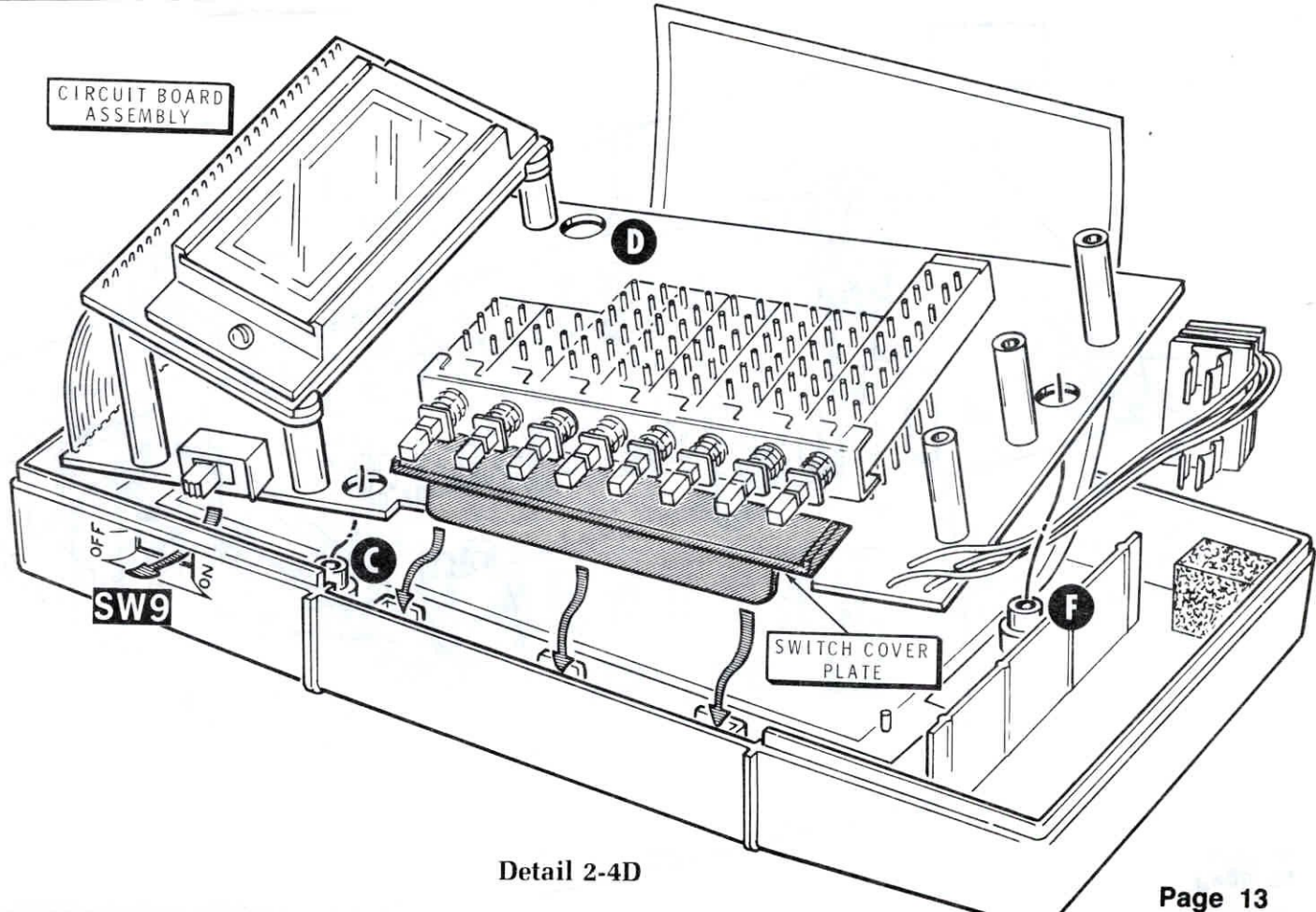
Detail 2-4A



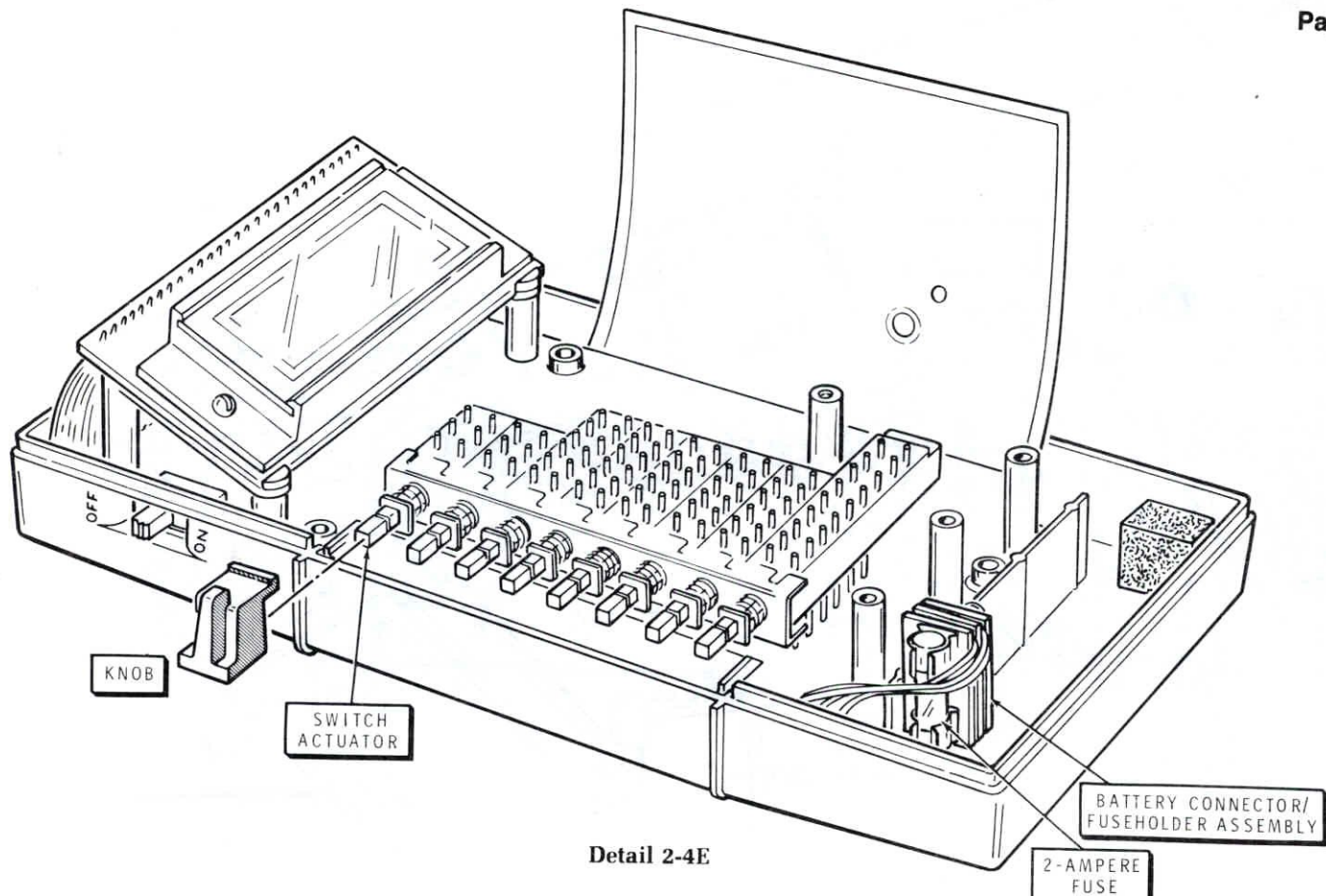
Detail 2-4B



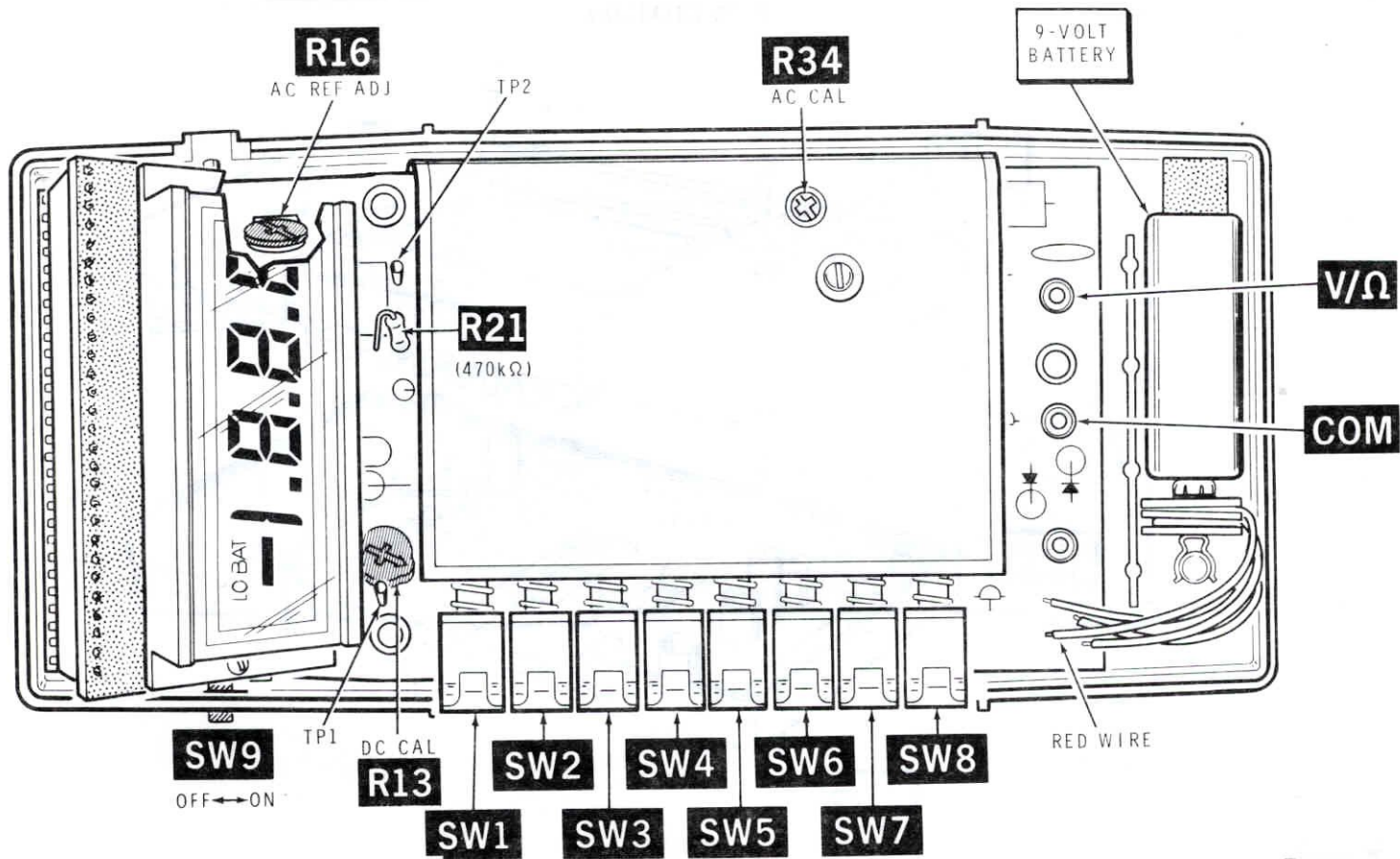
Detail 2-4C



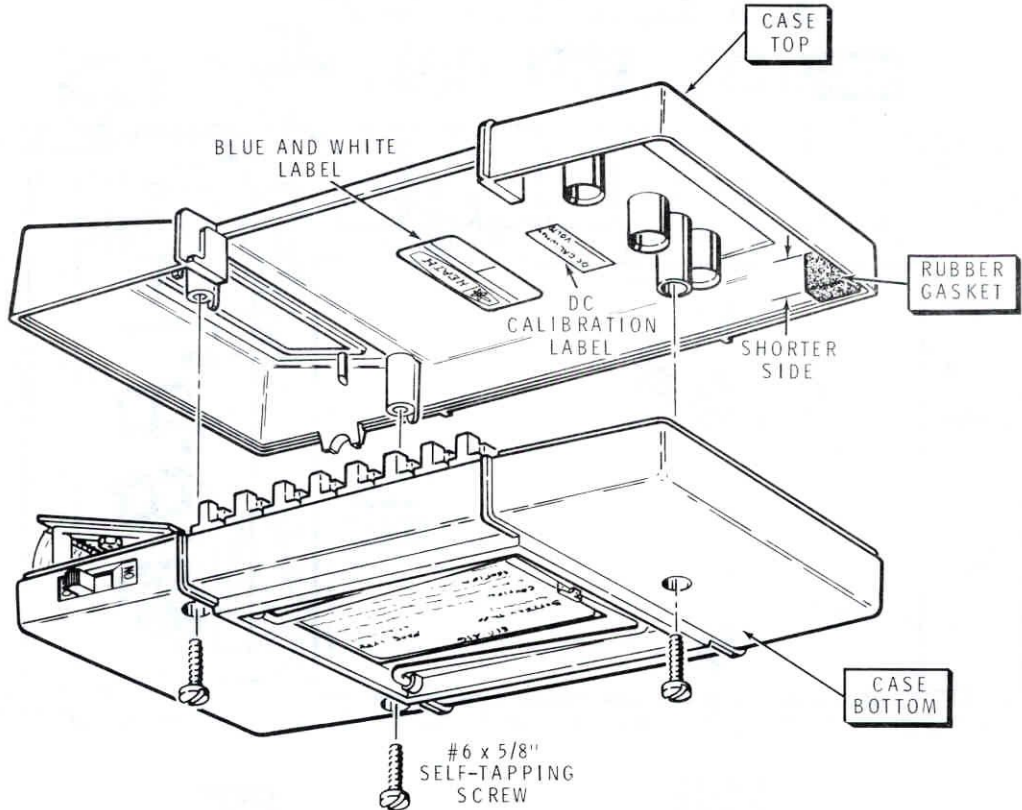
Detail 2-4D

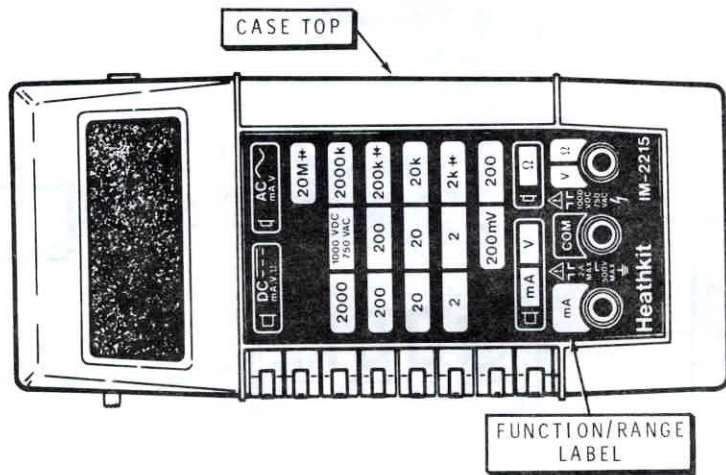


Detail 2-4E

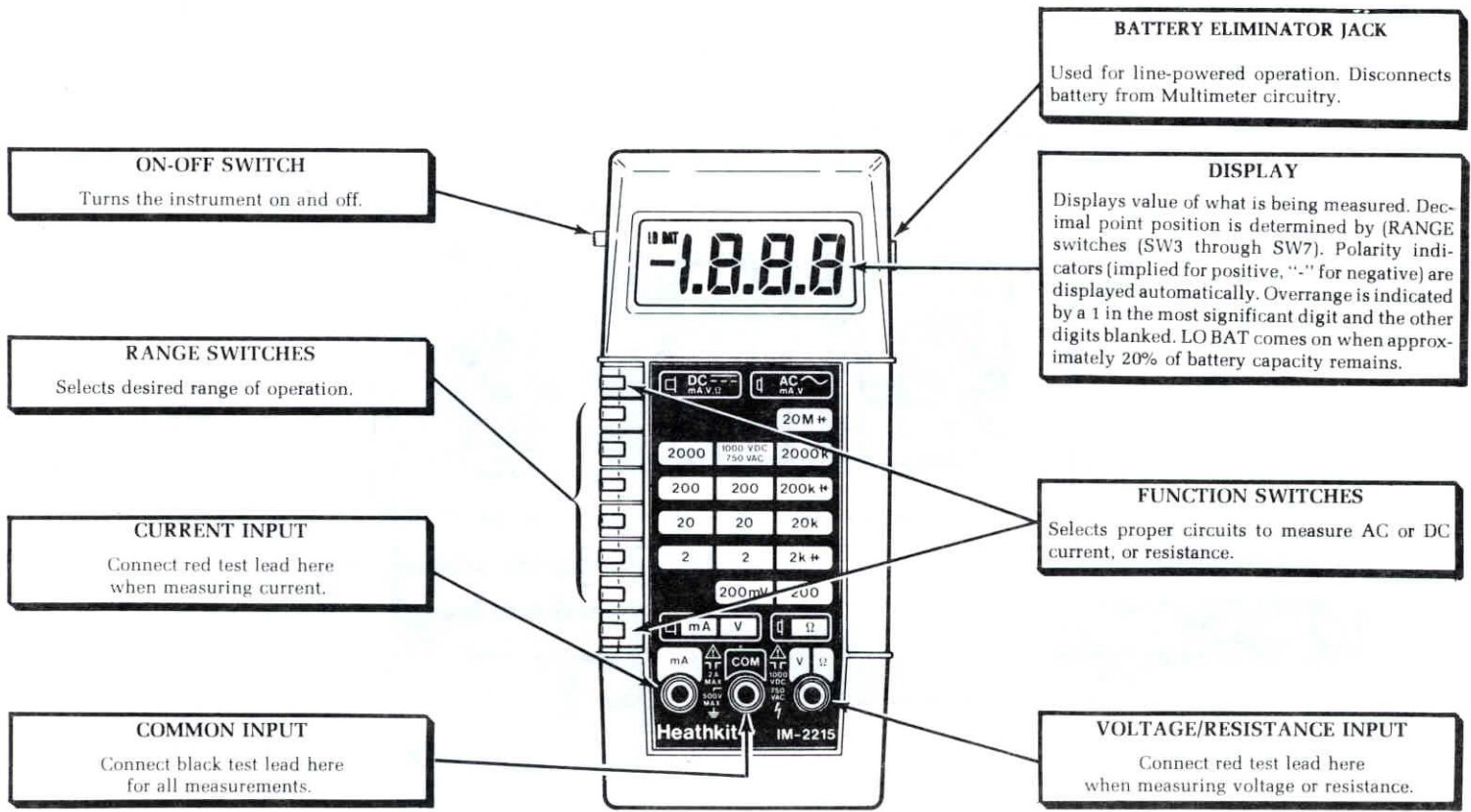


PICTORIAL 4-1





Detail 5-1A



ON-OFF SWITCH
Turns the instrument on and off.

RANGE SWITCHES
Selects desired range of operation.

CURRENT INPUT
Connect red test lead here when measuring current.

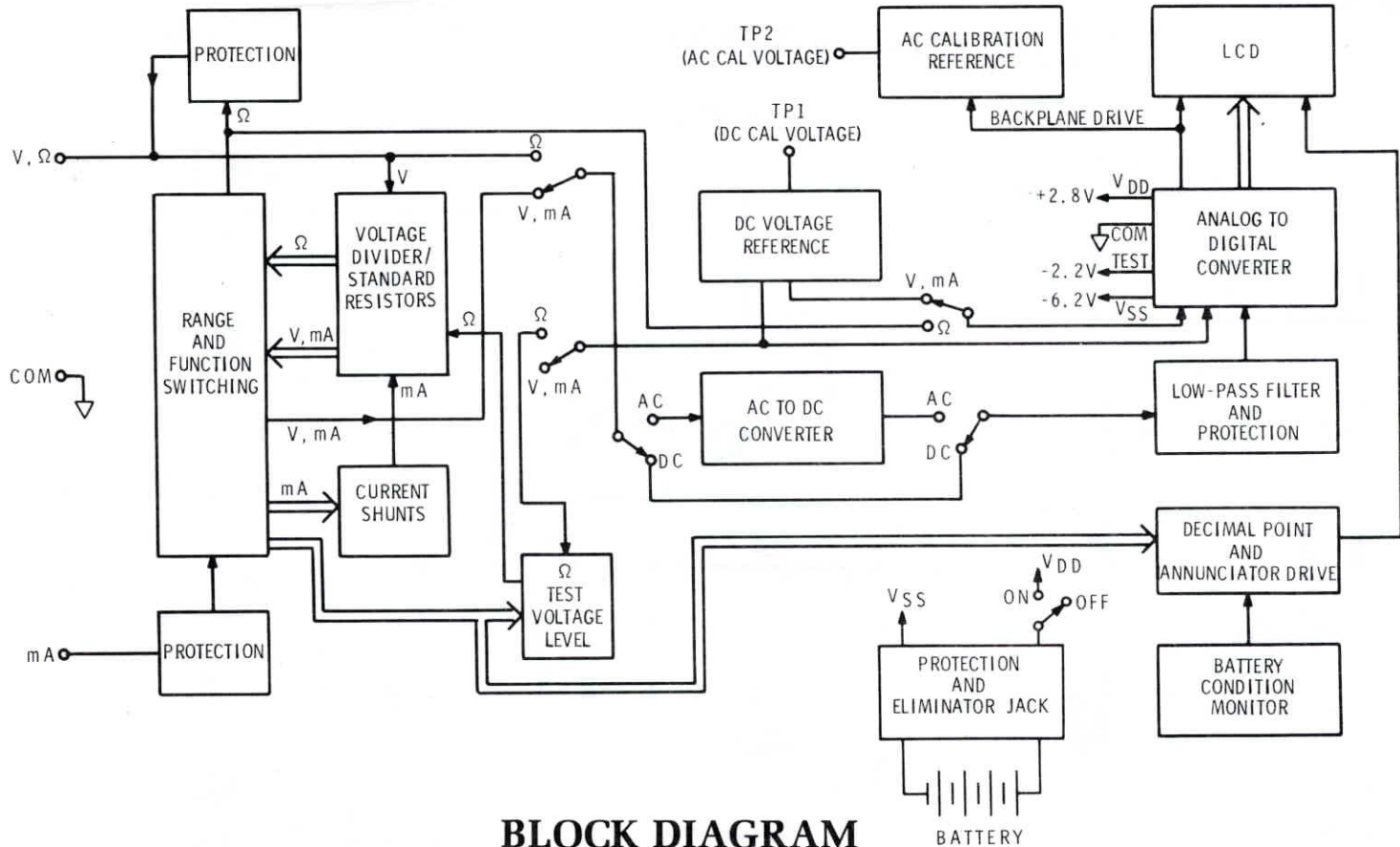
COMMON INPUT
Connect black test lead here for all measurements.

BATTERY ELIMINATOR JACK
Used for line-powered operation. Disconnects battery from Multimeter circuitry.

DISPLAY
Displays value of what is being measured. Decimal point position is determined by (RANGE switches (SW3 through SW7). Polarity indicators (implied for positive, "-" for negative) are displayed automatically. Overrange is indicated by a 1 in the most significant digit and the other digits blanked. LO BAT comes on when approximately 20% of battery capacity remains.

FUNCTION SWITCHES
Selects proper circuits to measure AC or DC current, or resistance.

VOLTAGE/RESISTANCE INPUT
Connect red test lead here when measuring voltage or resistance.



BLOCK DIAGRAM

