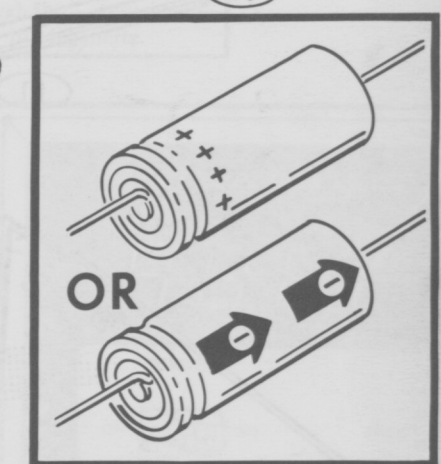
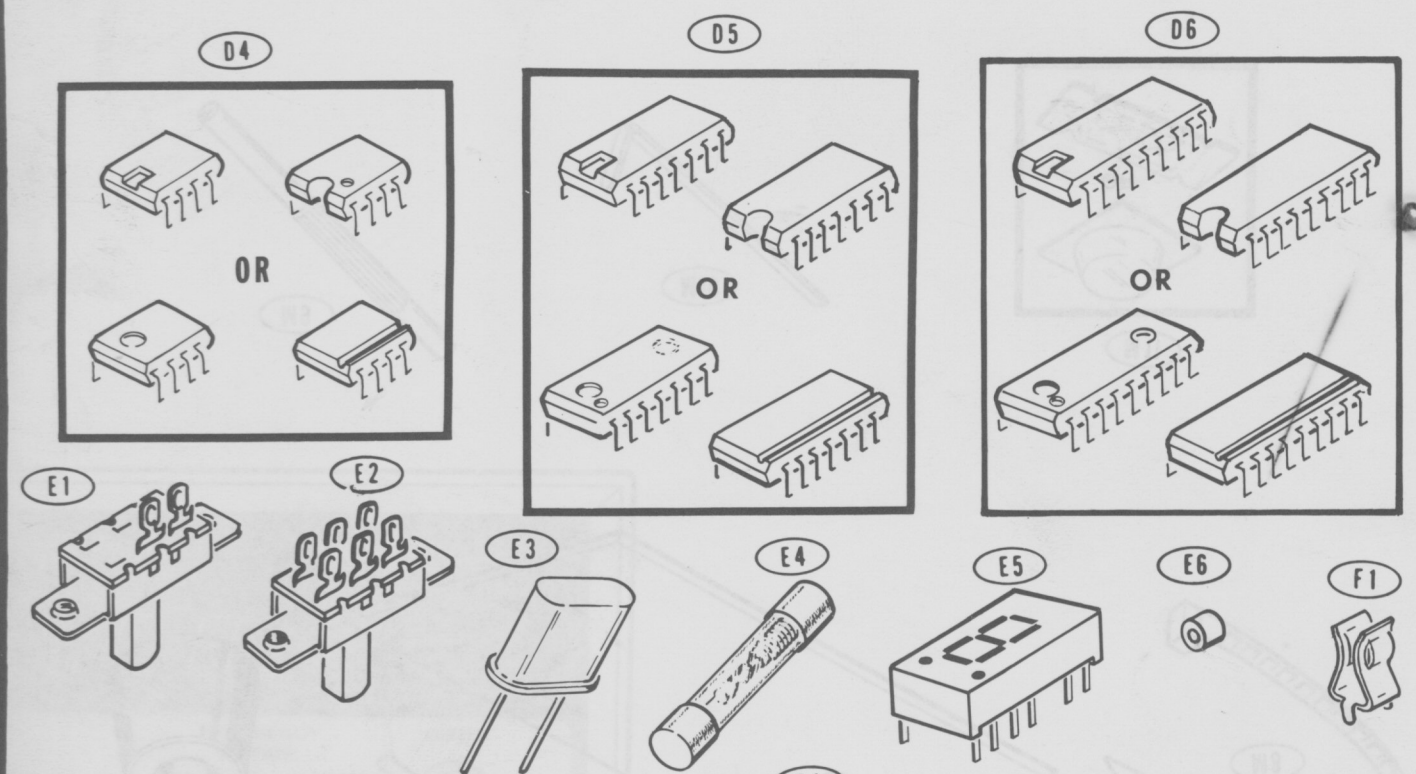
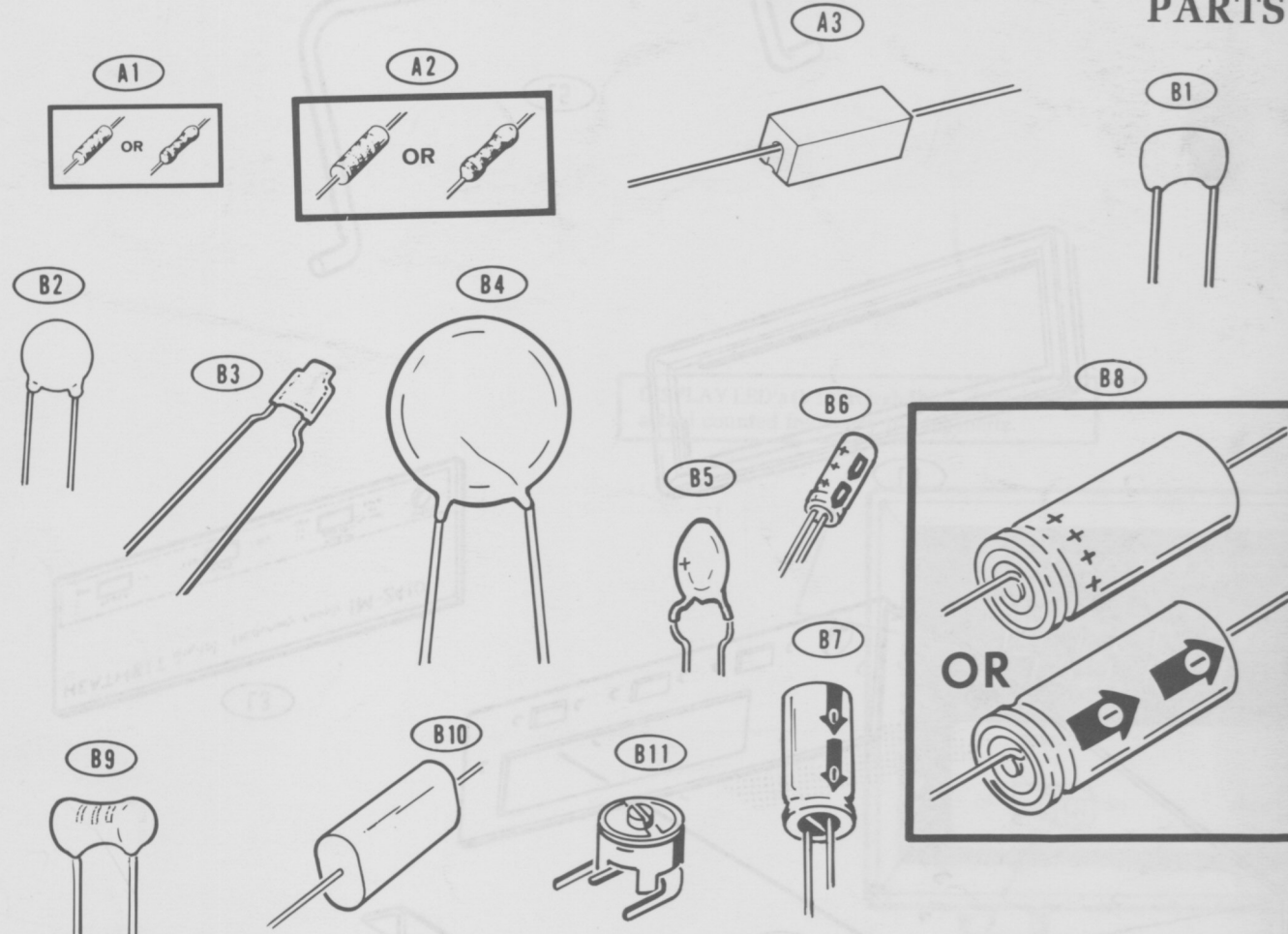


# ILLUSTRATION BOOKLET

## PARTS PICTORIAL

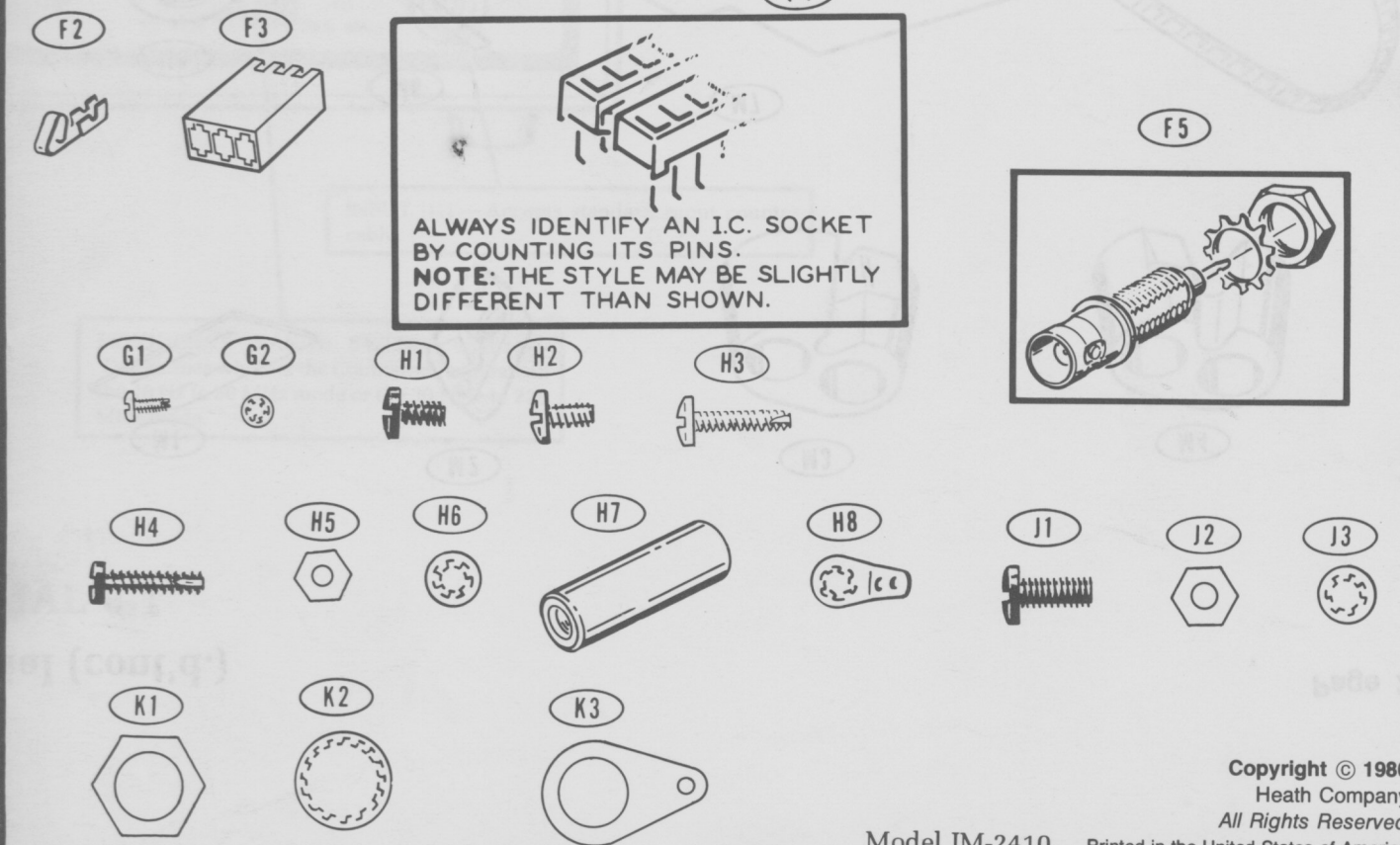
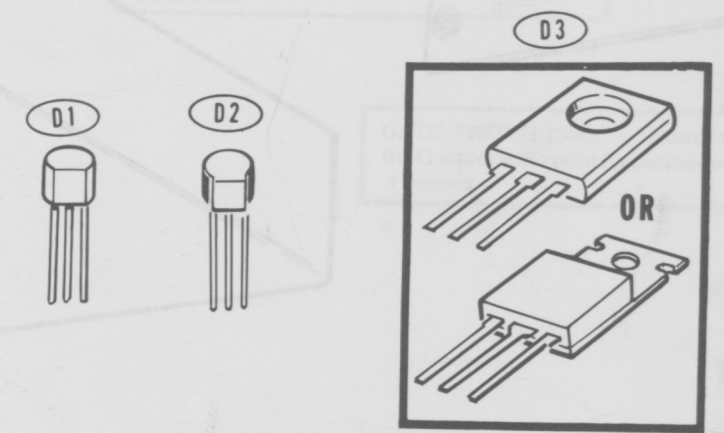


ALWAYS IDENTIFY AN I.C. SOCKET BY COUNTING ITS PINS.  
NOTE: THE STYLE MAY BE SLIGHTLY DIFFERENT THAN SHOWN.

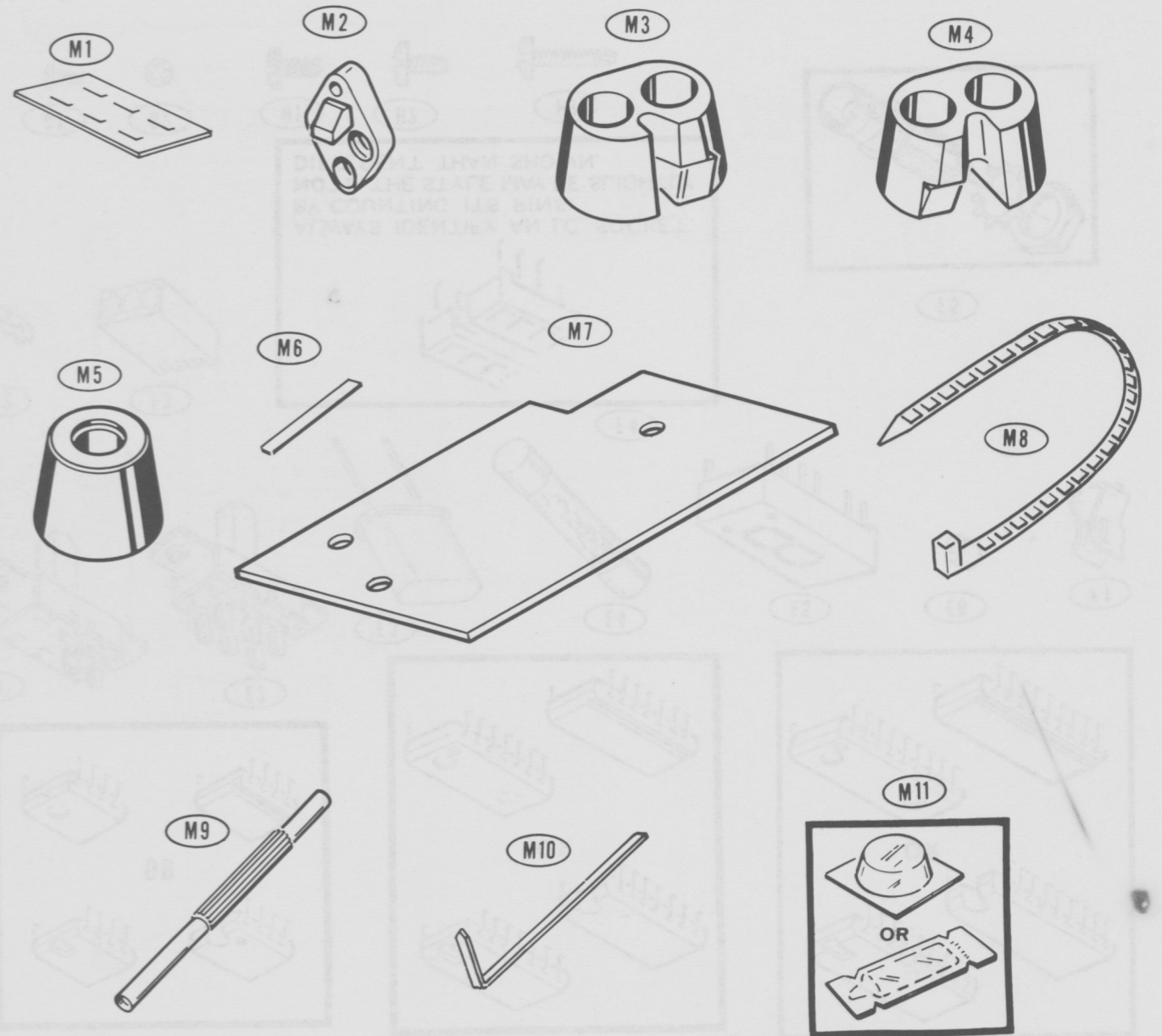
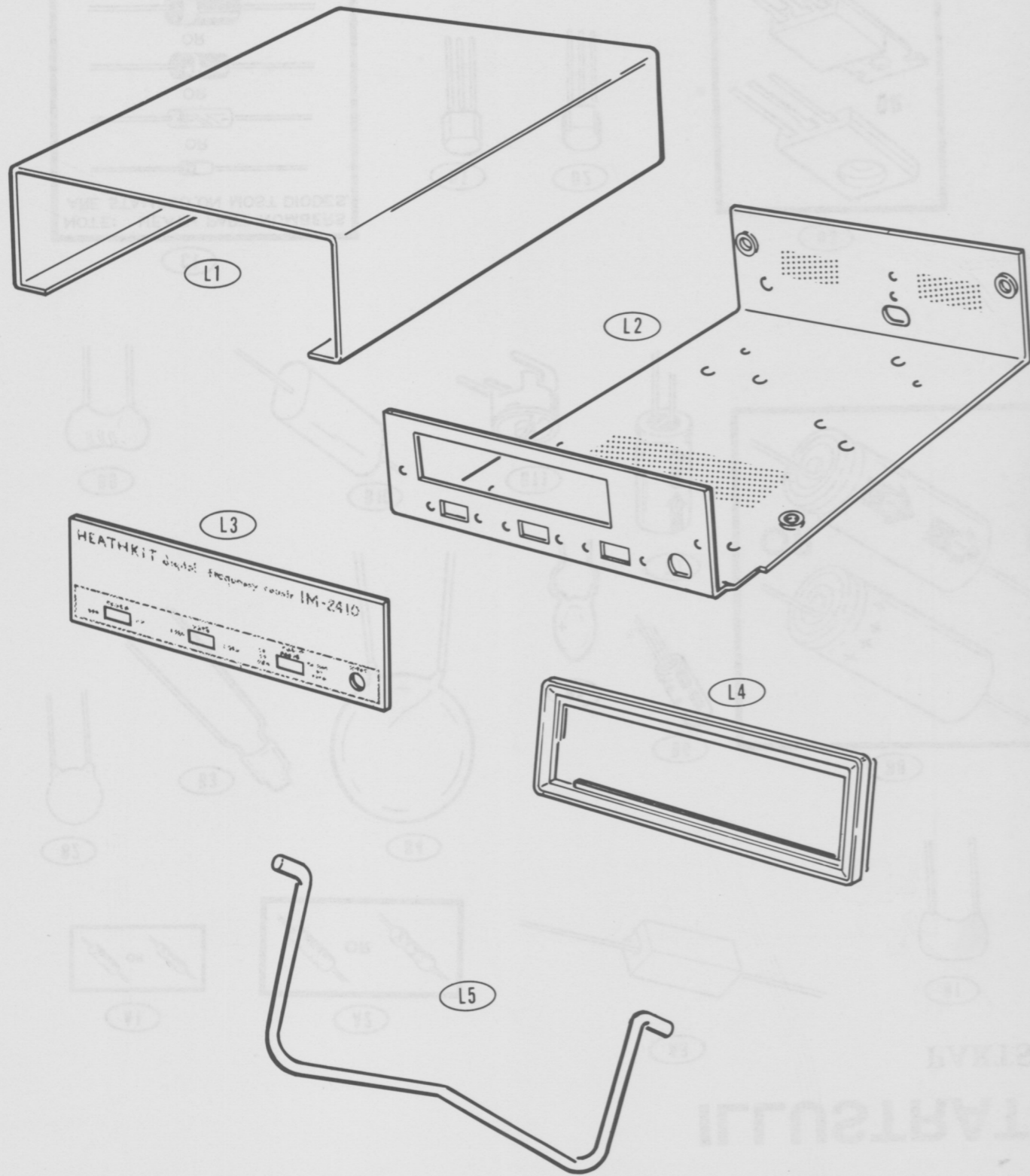
**C1**

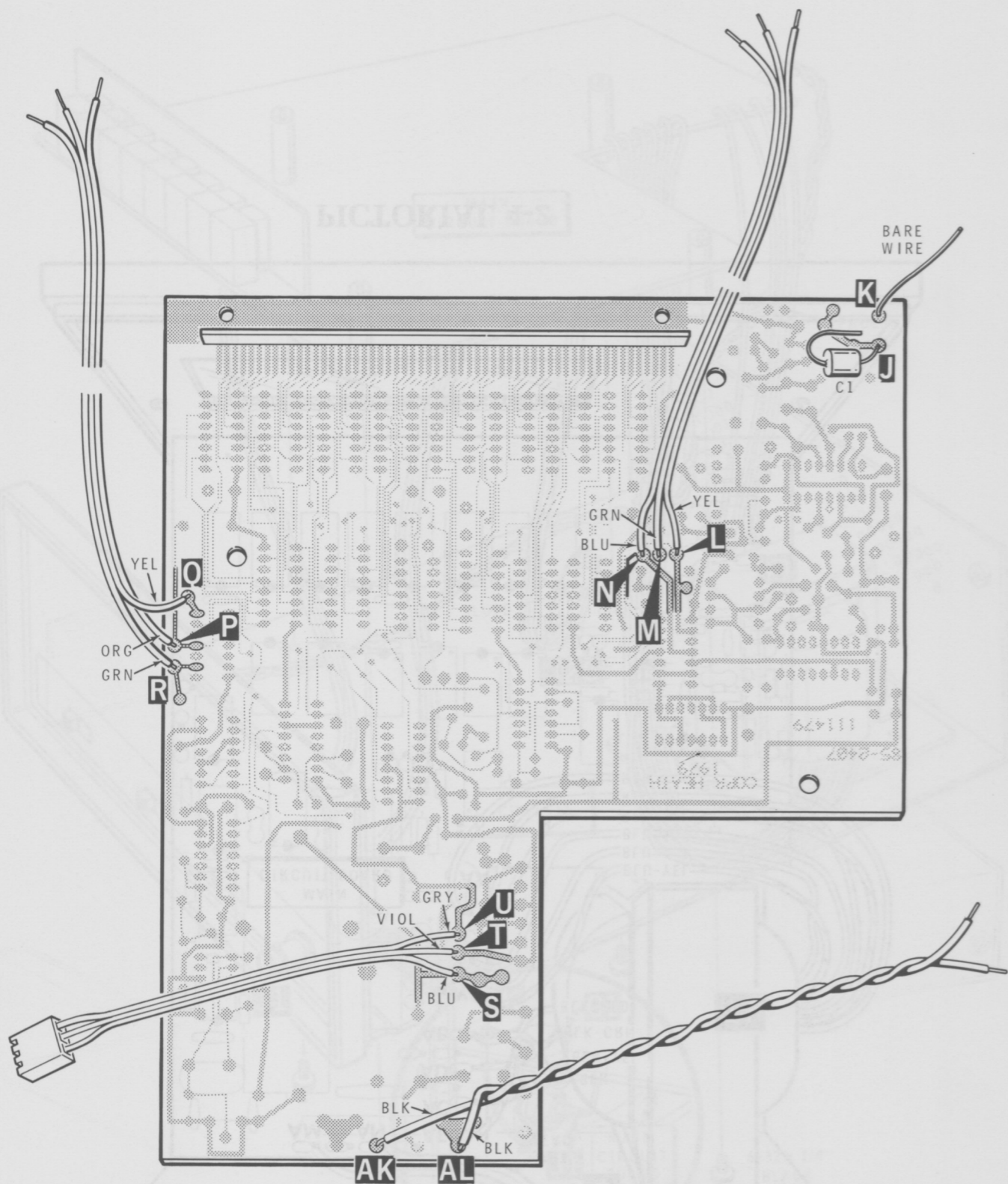
NOTE: HEATH PART NUMBERS ARE STAMPED ON MOST DIODES.

Diagrams of various diode types, including axial, surface-mount, and TO-18 packages.

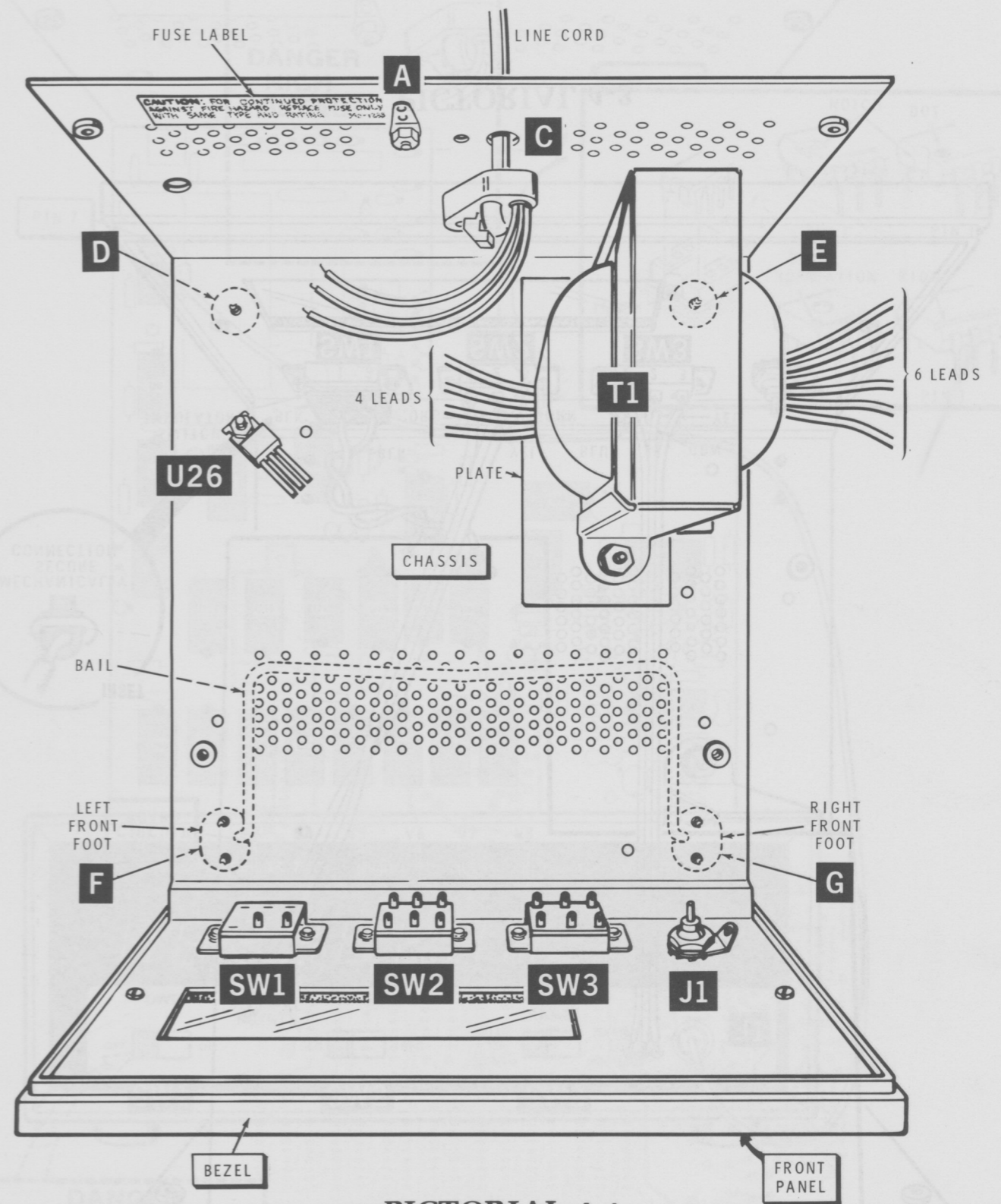


Parts Pictorial (cont'd.)

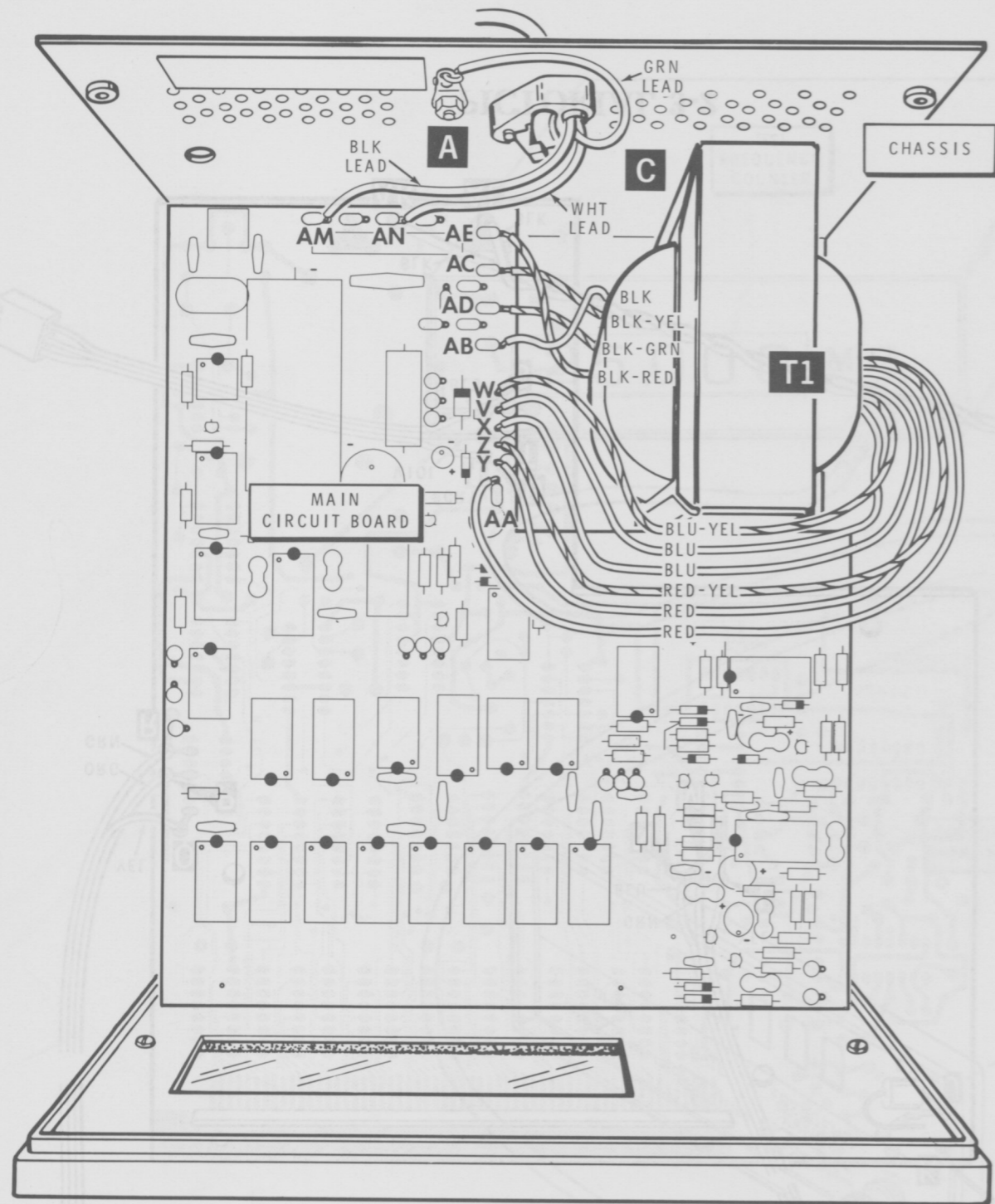




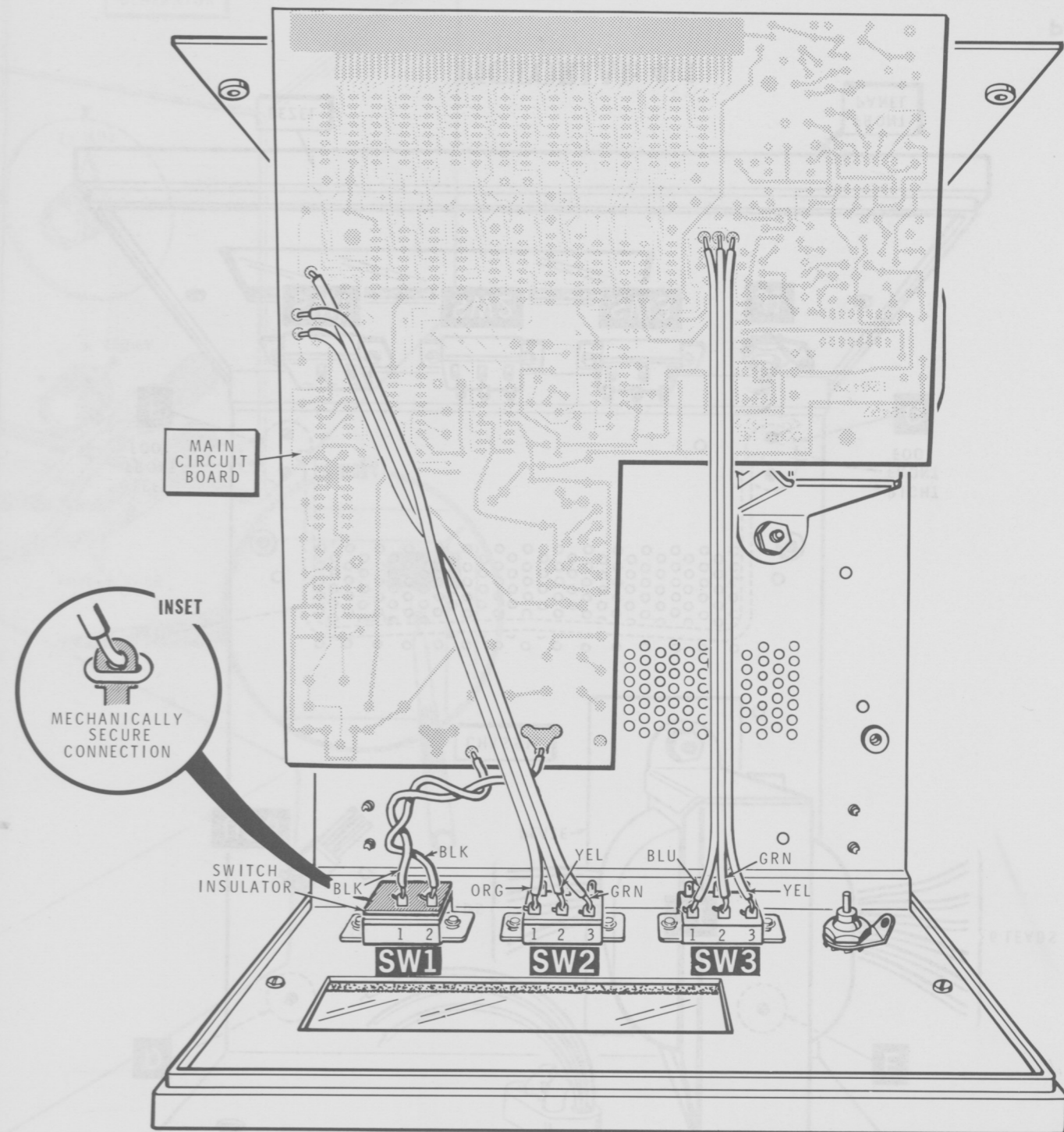
PICTORIAL 3-2



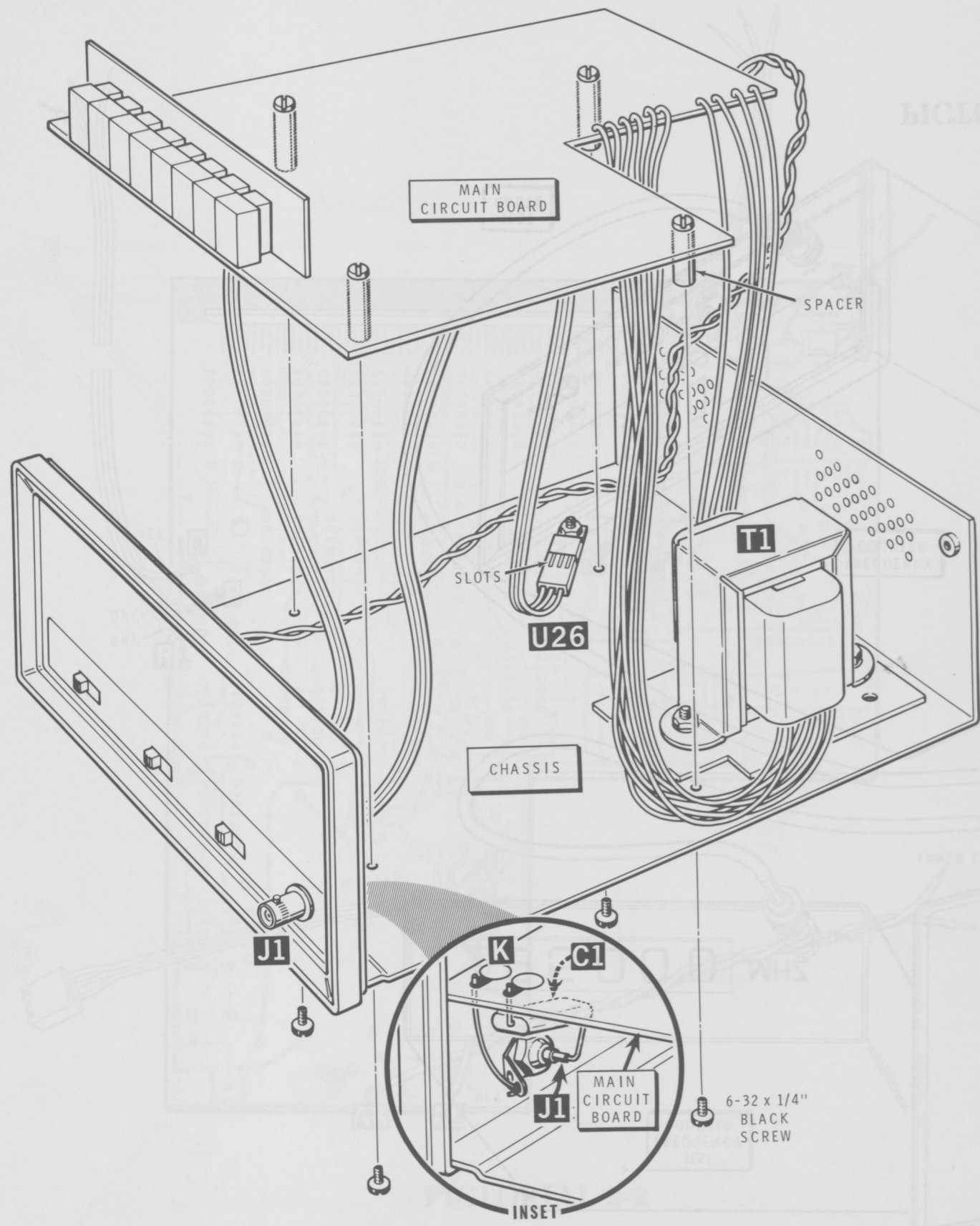
PICTORIAL 4-1



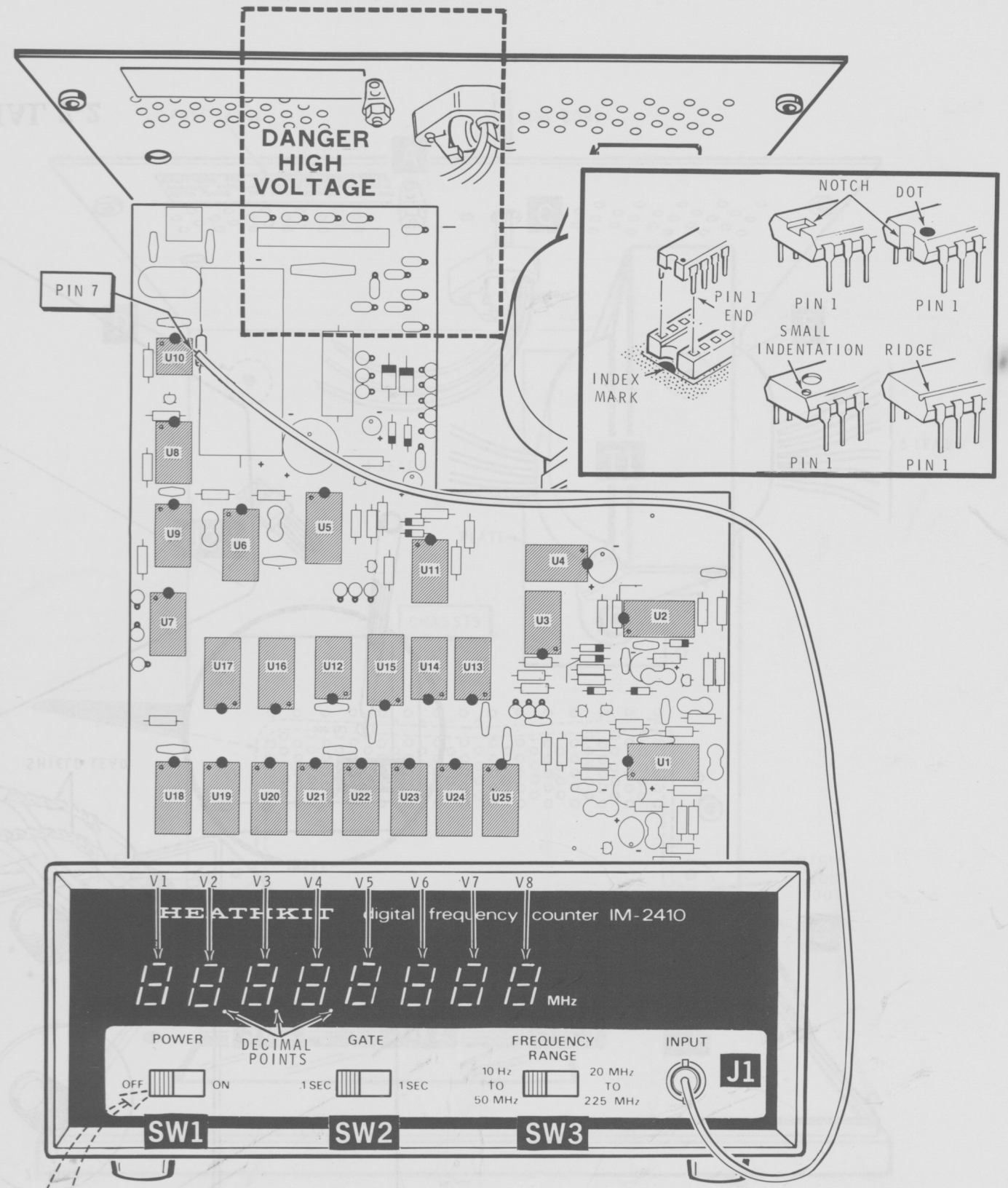
PICTORIAL 4-2



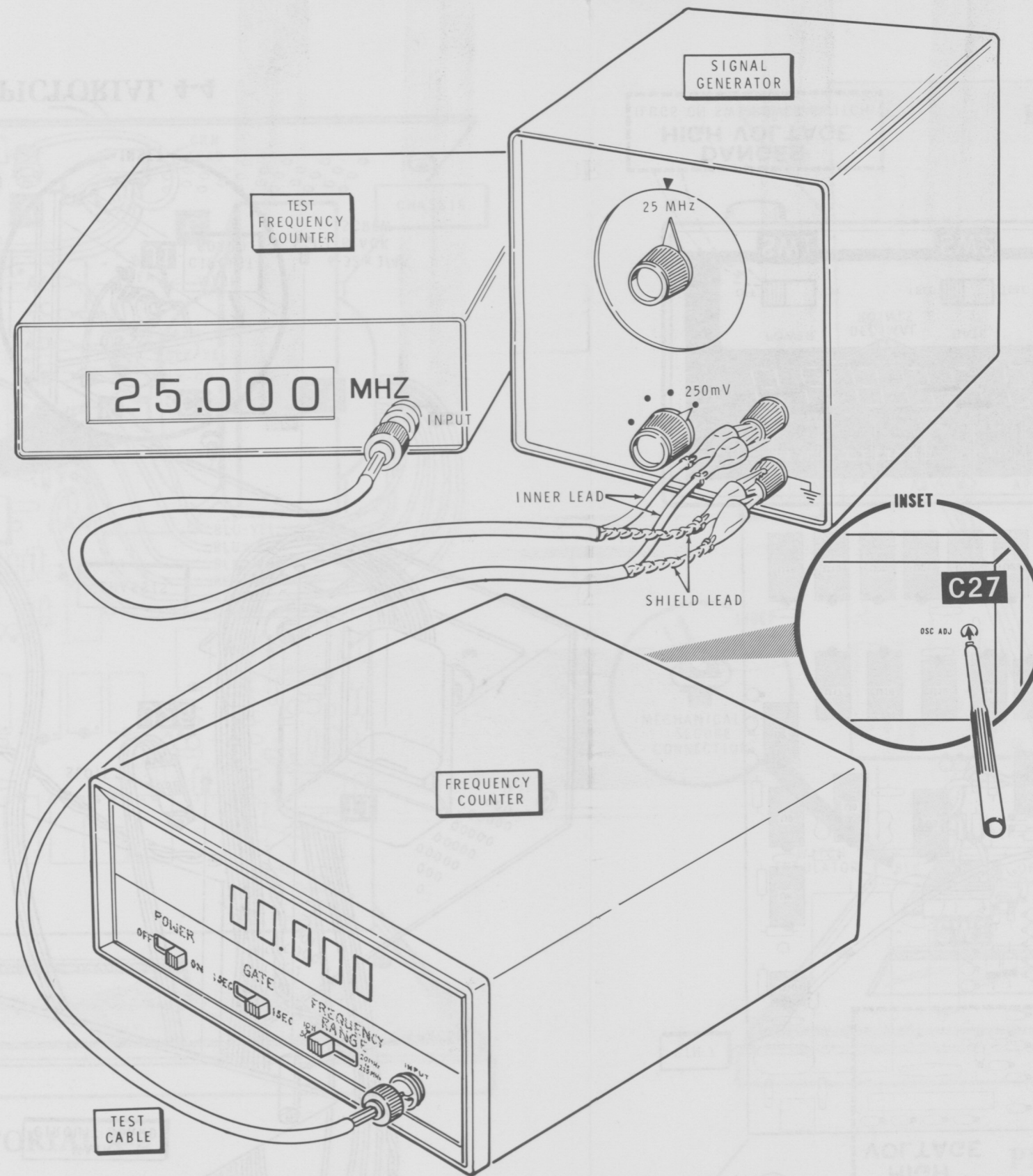
PICTORIAL 4-3



PICTORIAL 4-4



PICTORIAL 5-1

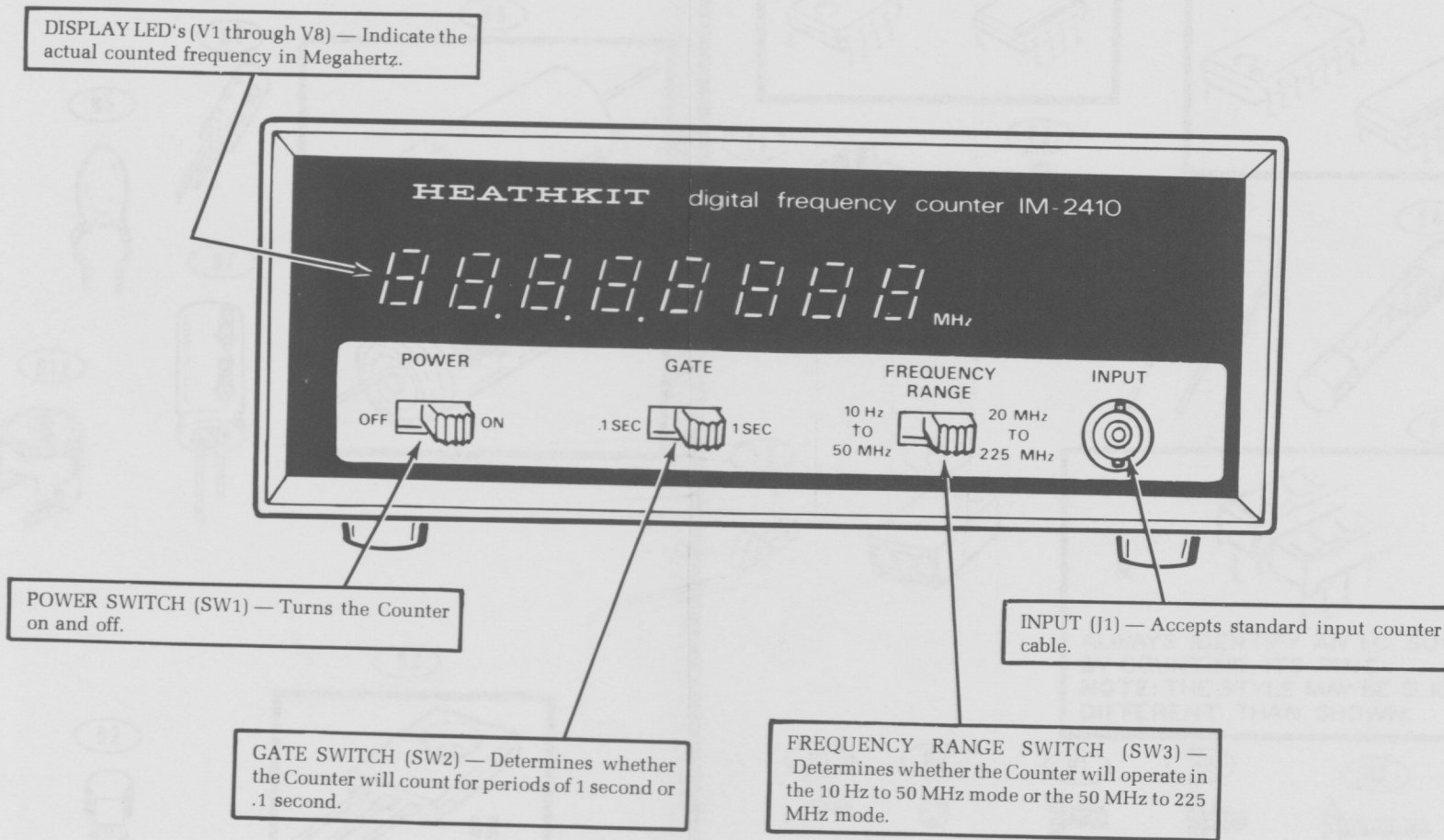


PICTORIAL 7-2

# ILLUSTRATION BOOKLET

Part of 295-2555-10

## PARTS PICTORIAL



PICTORIAL 8-1