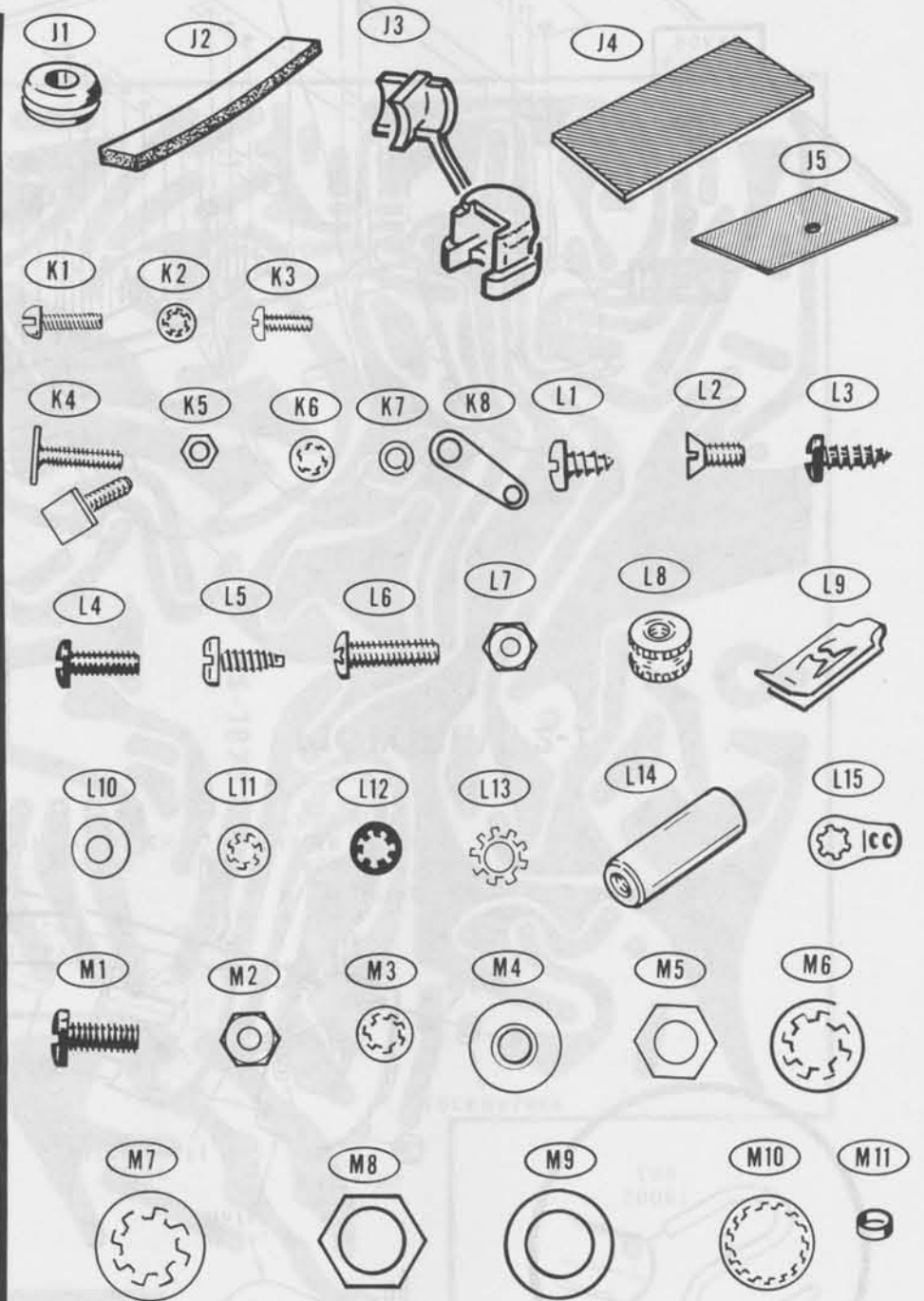
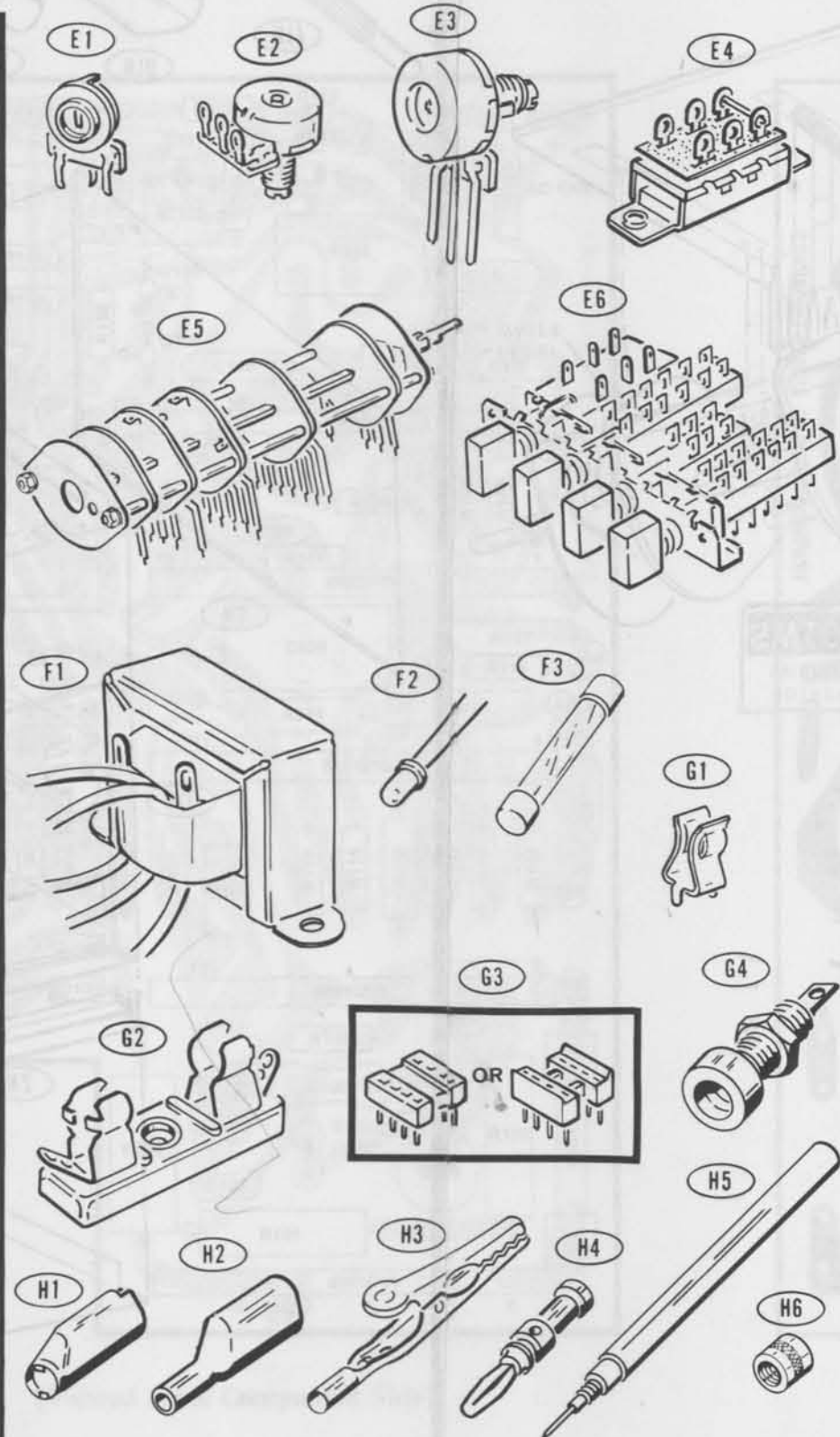
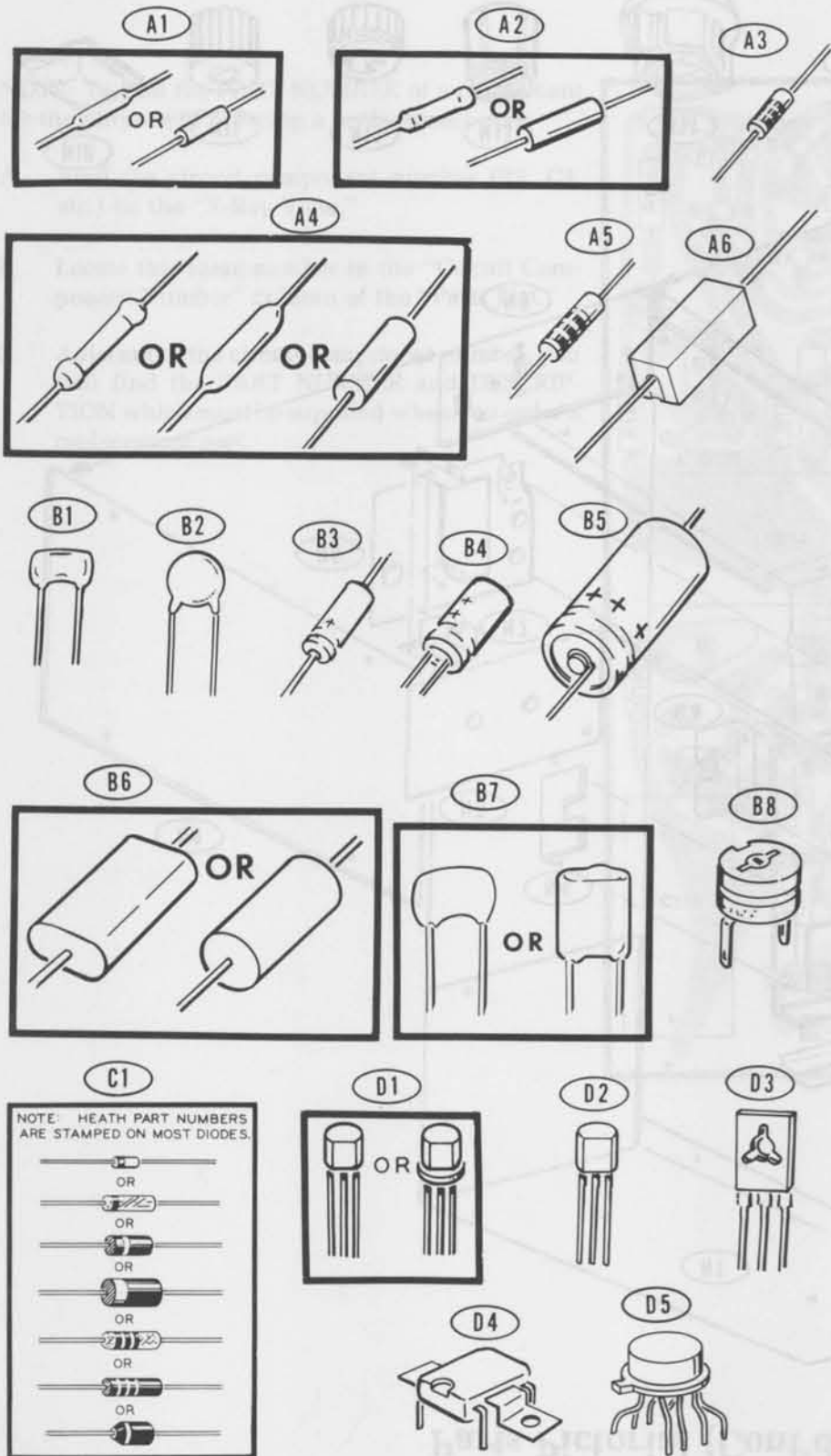


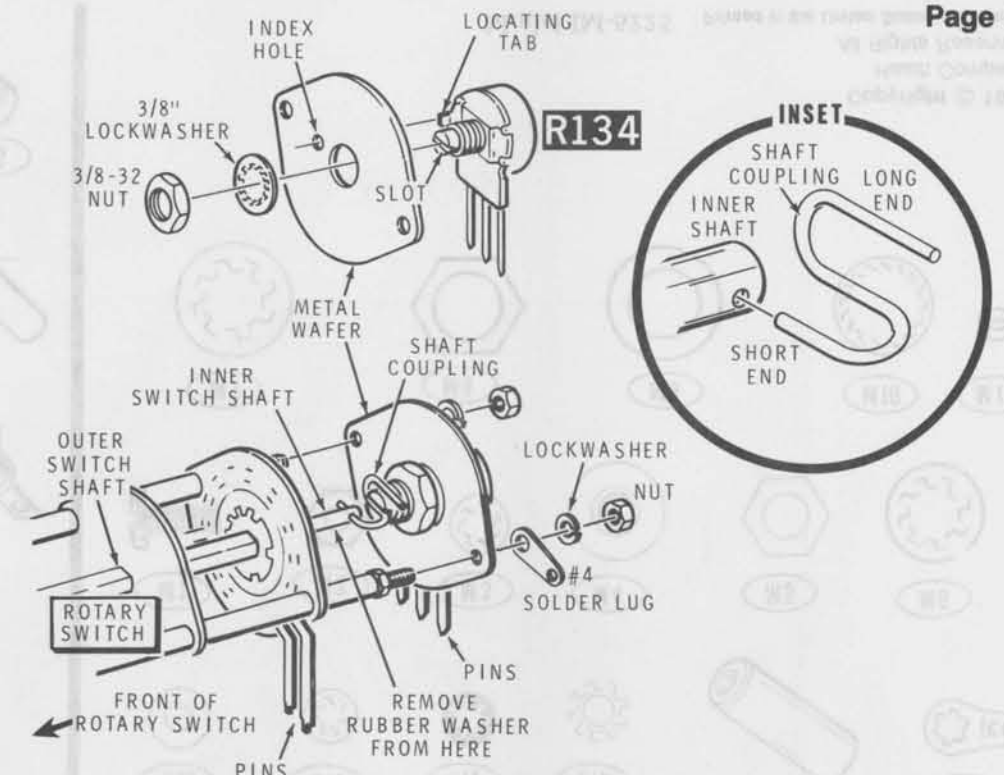
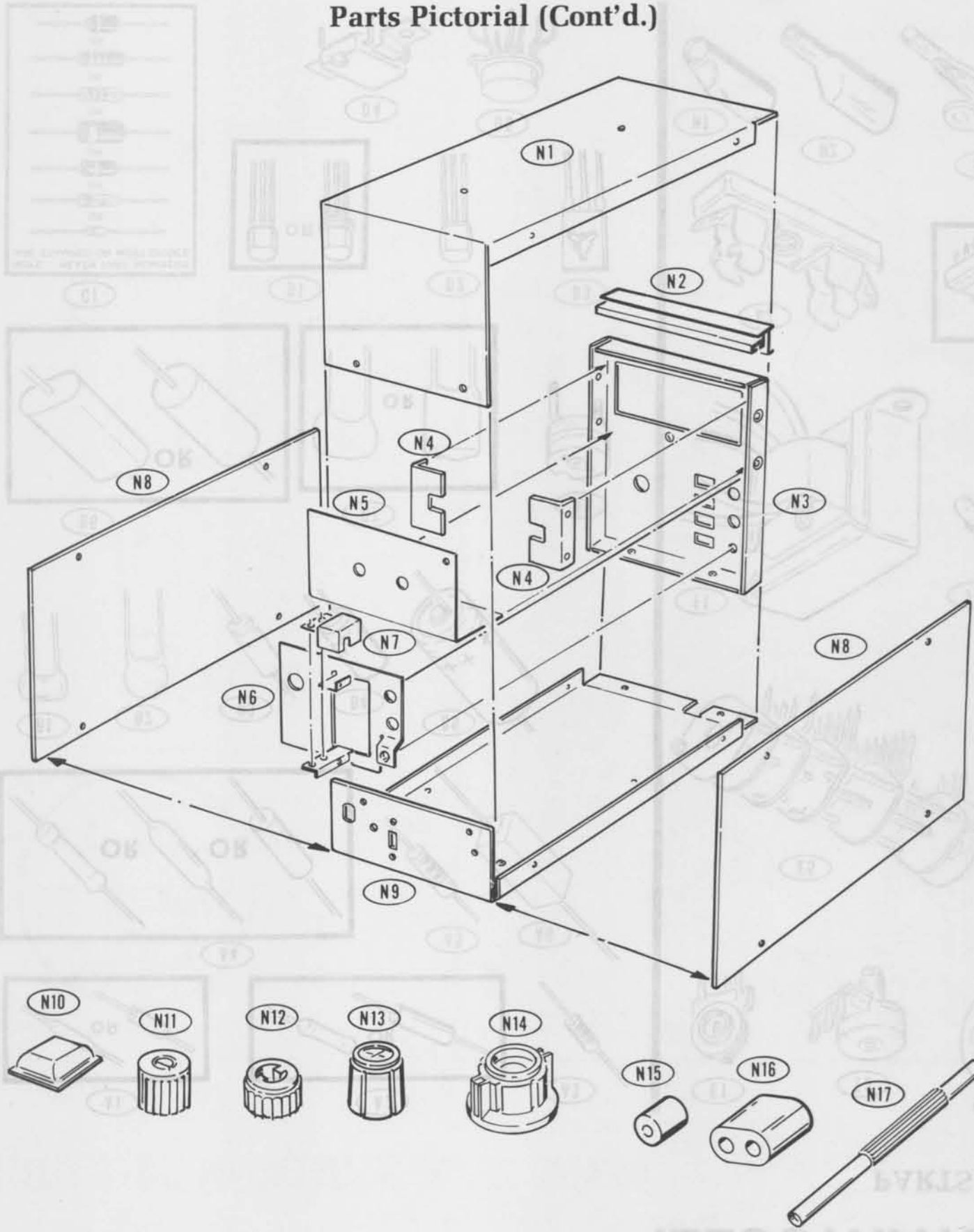
# ILLUSTRATION BOOKLET

Part of 595-1934

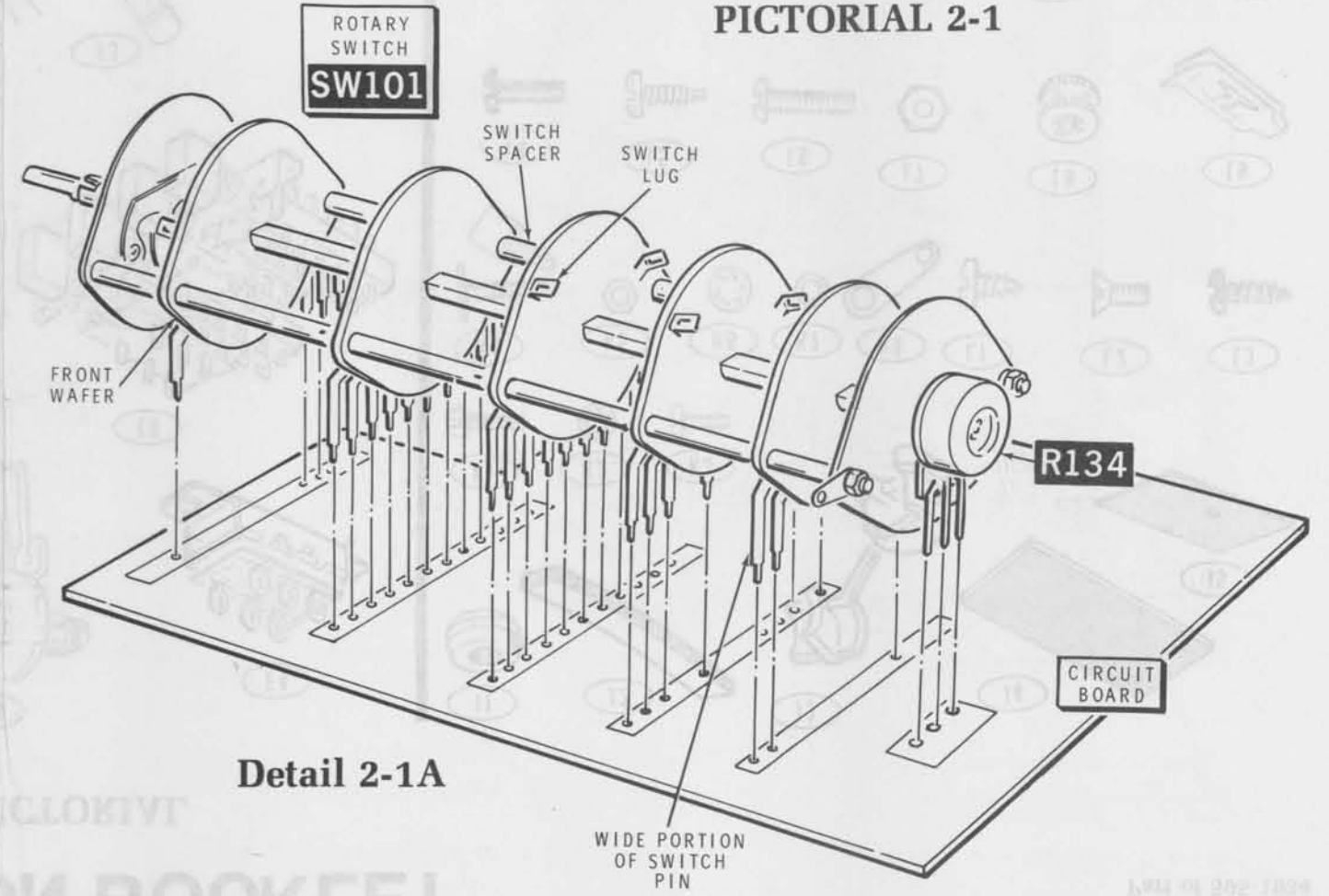
## PARTS PICTORIAL



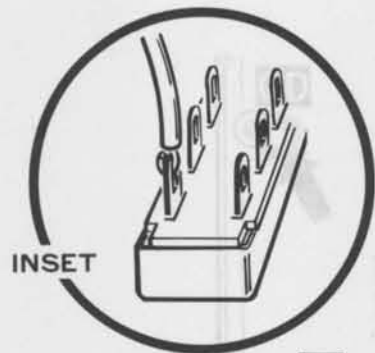
Parts Pictorial (Cont'd.)



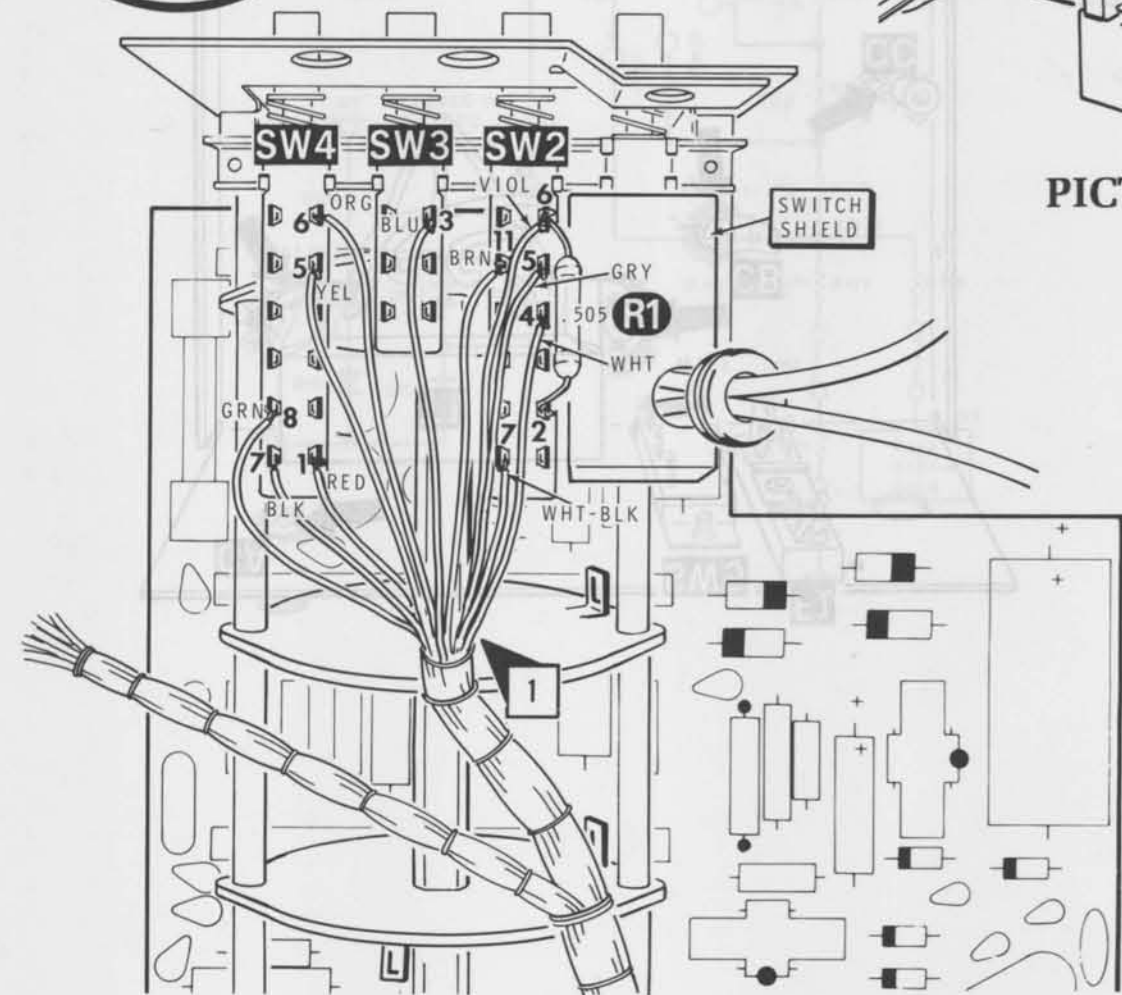
PICTORIAL 2-1



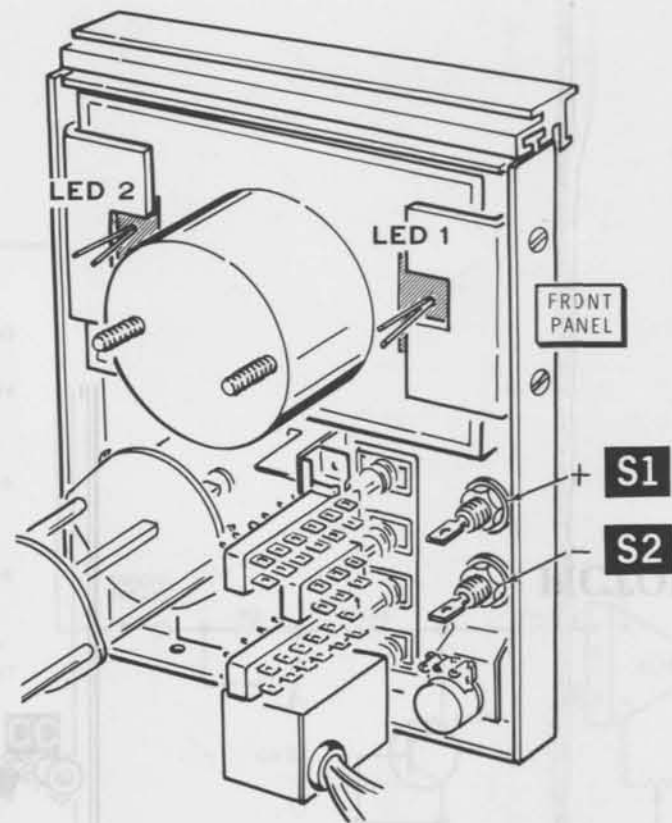
Detail 2-1A



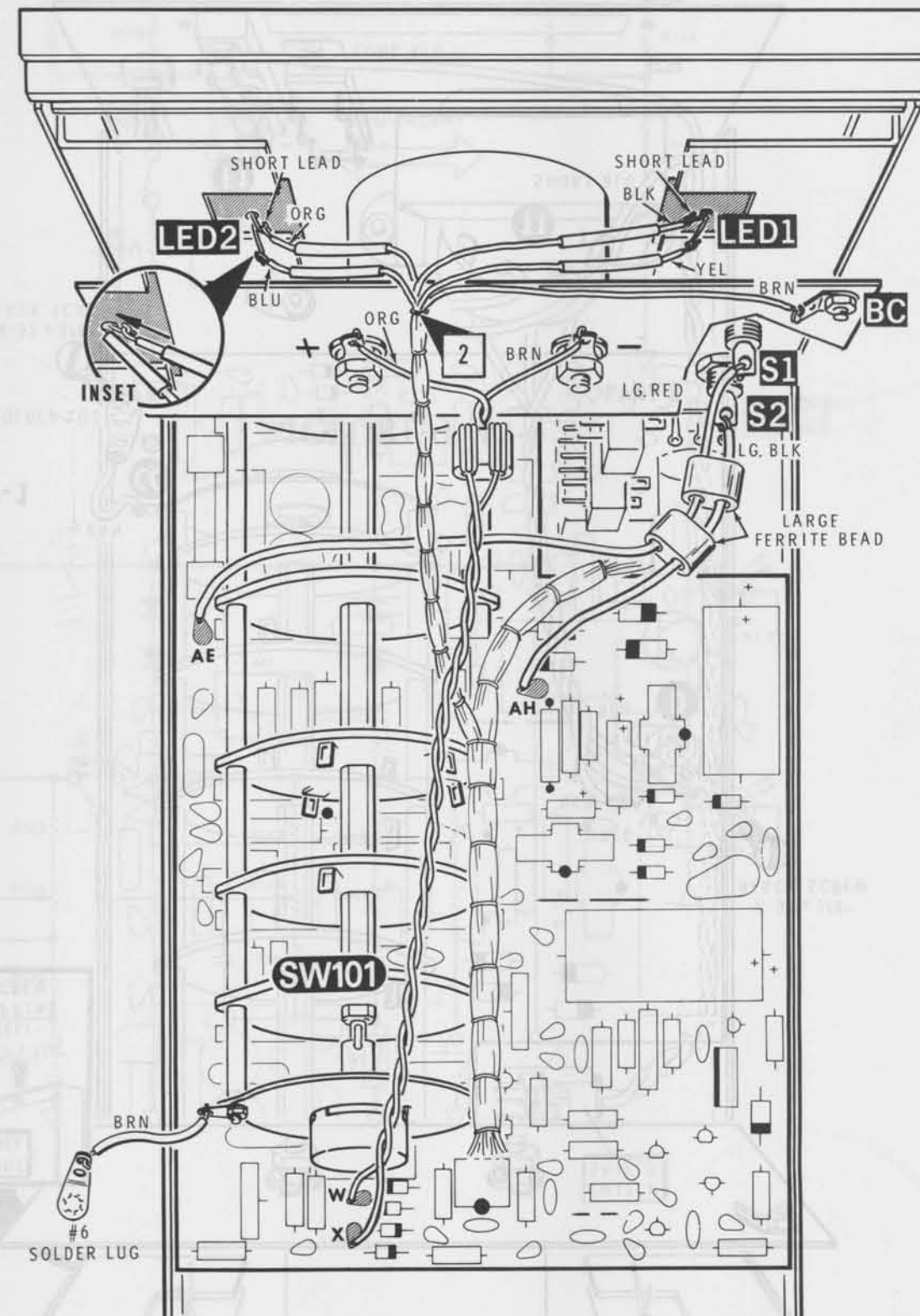
INSET



PICTORIAL 3-3

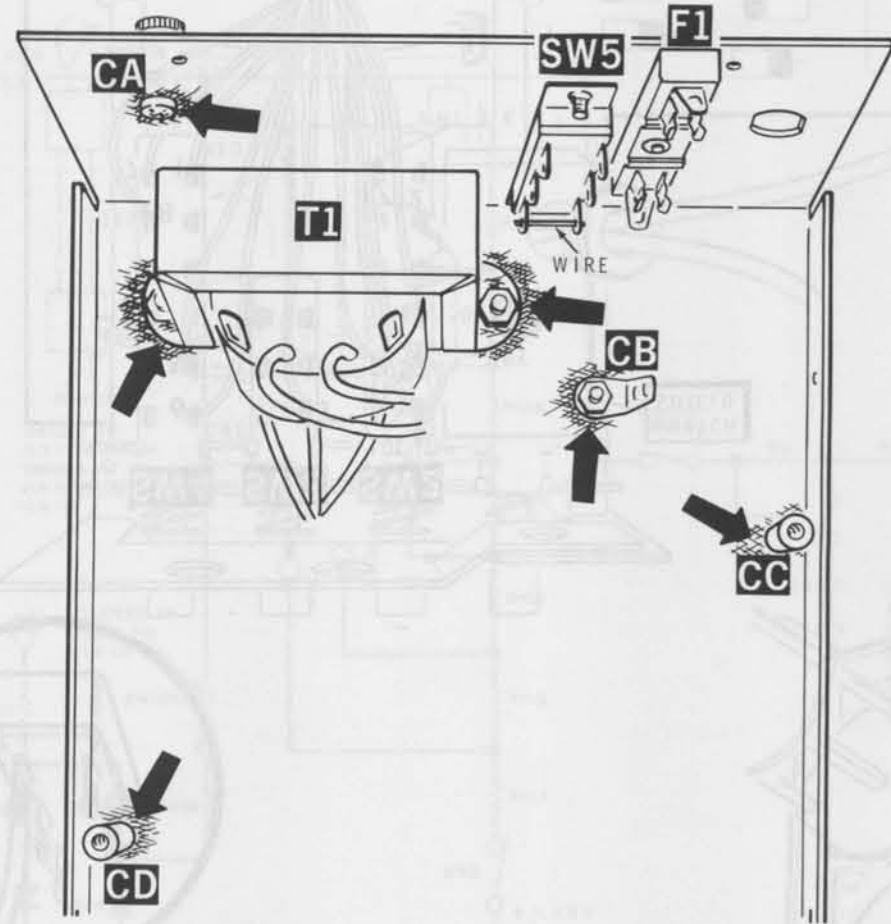


PICTORIAL 4-1

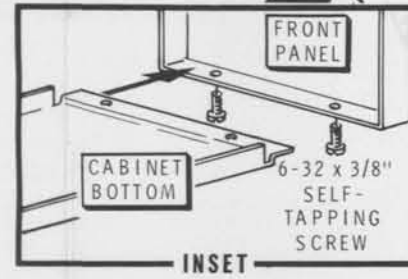


PICTORIAL 5-1

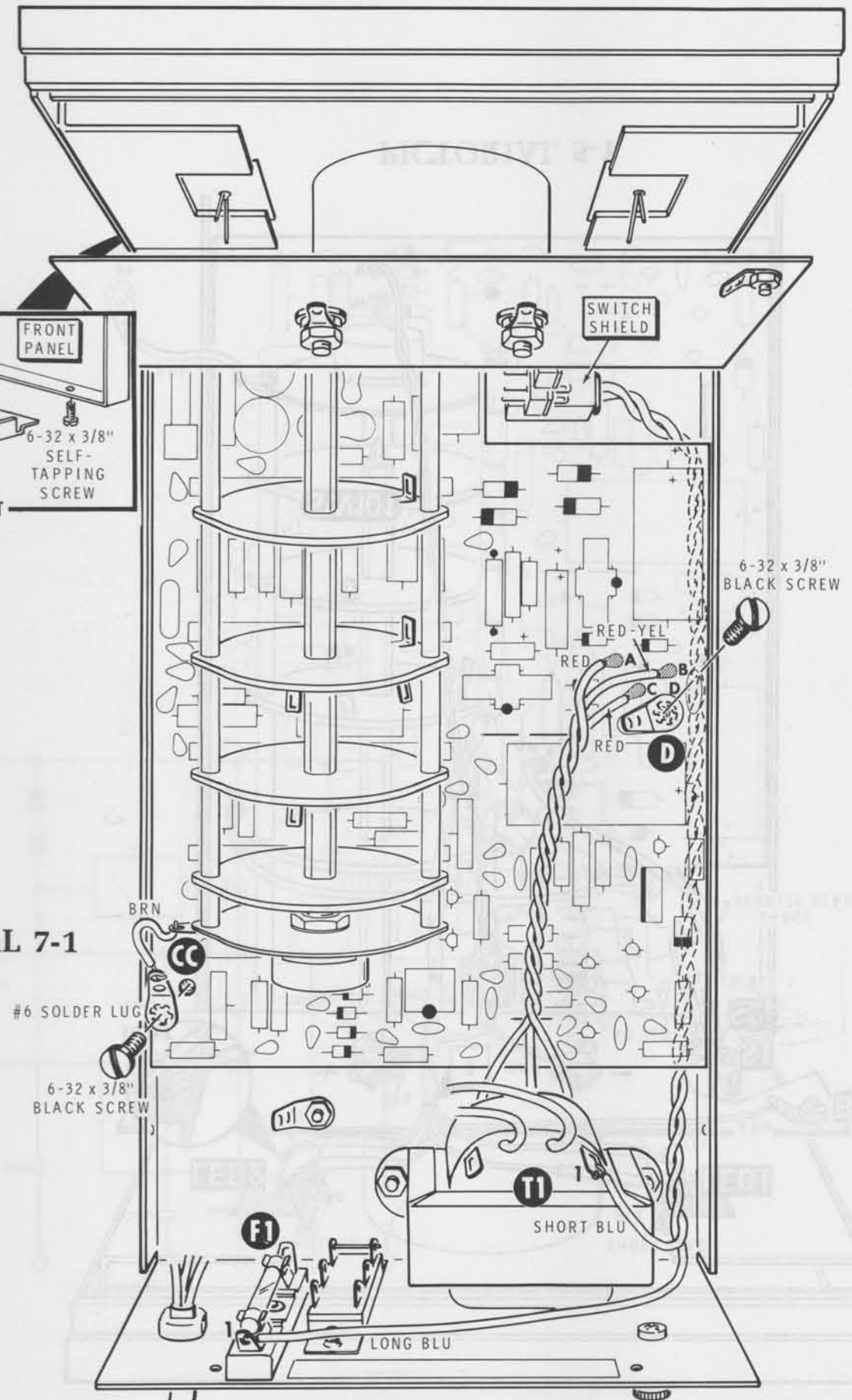
ЫСЛОКІУТ 3-3

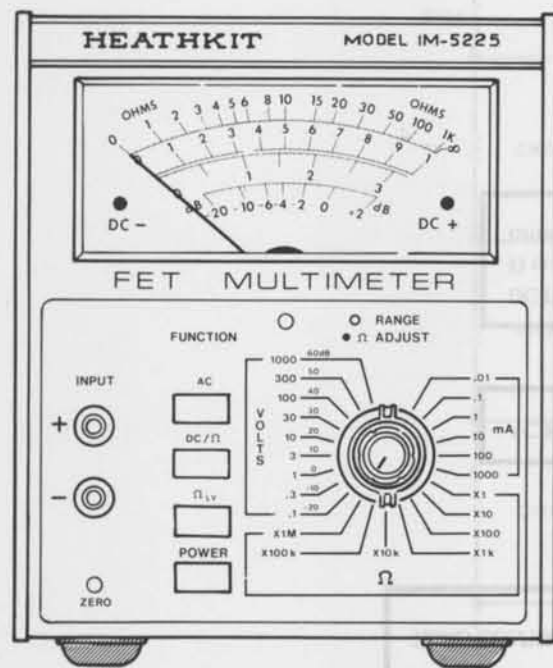


PICTORIAL 6-1

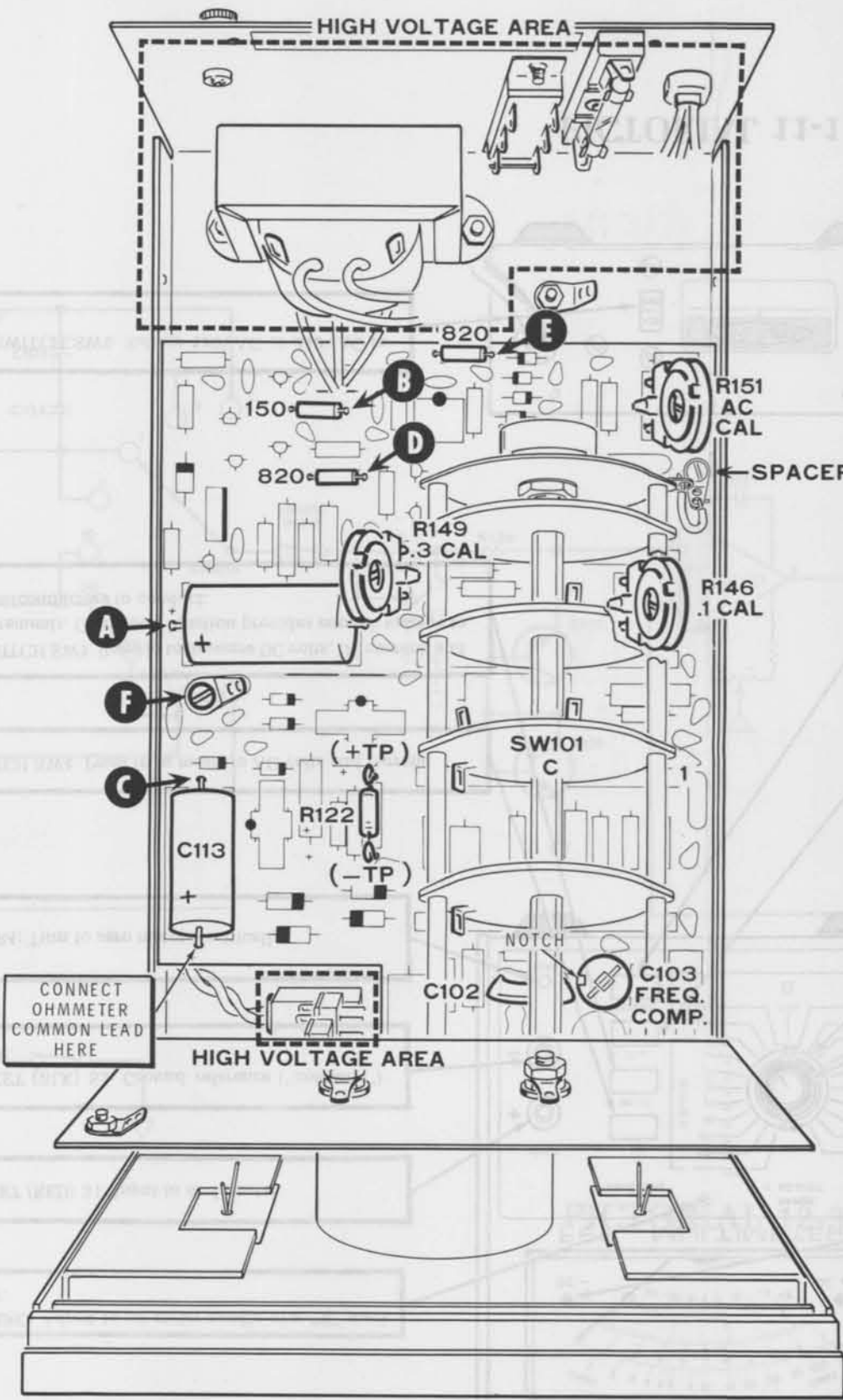


PICTORIAL 7-1

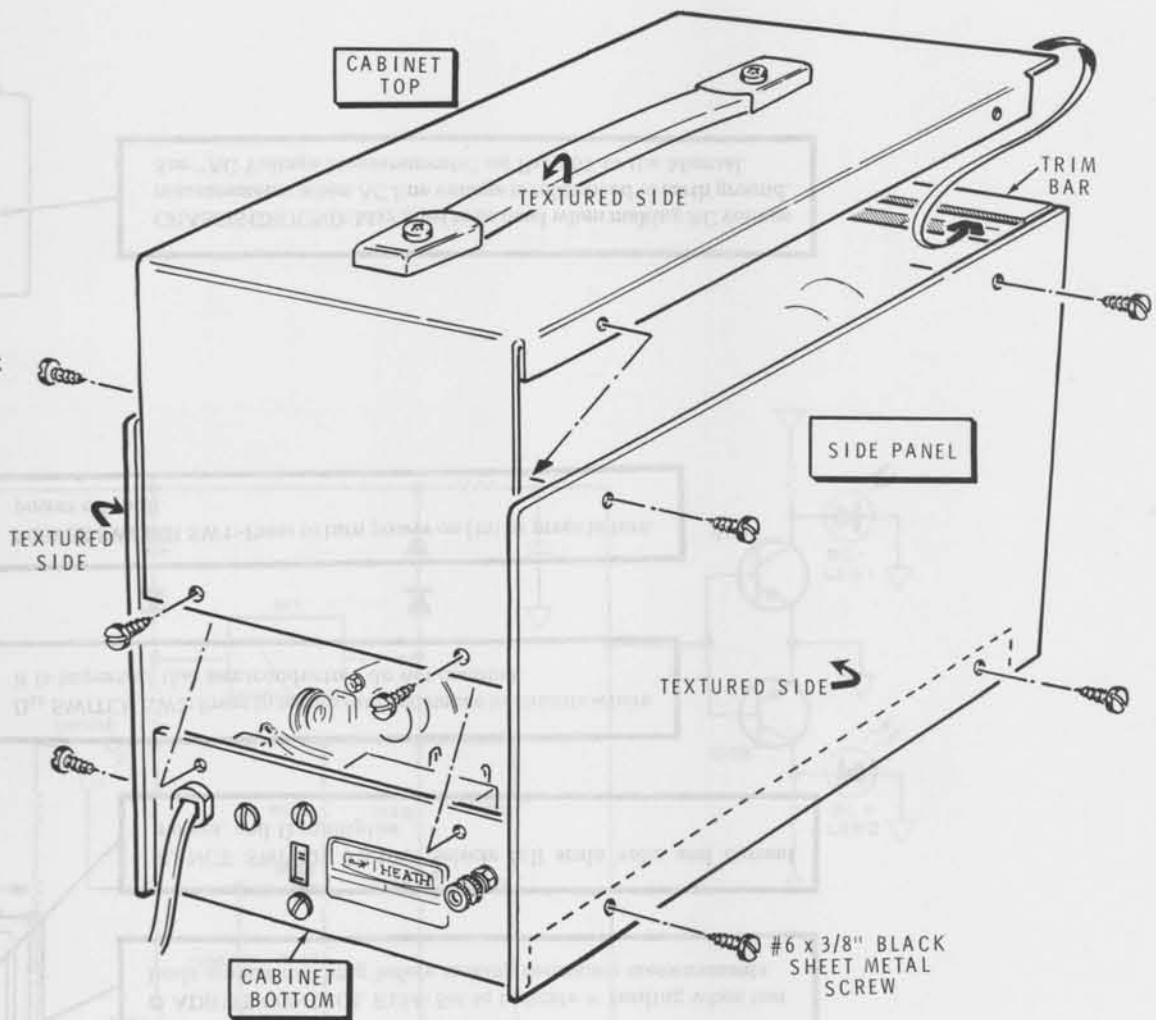




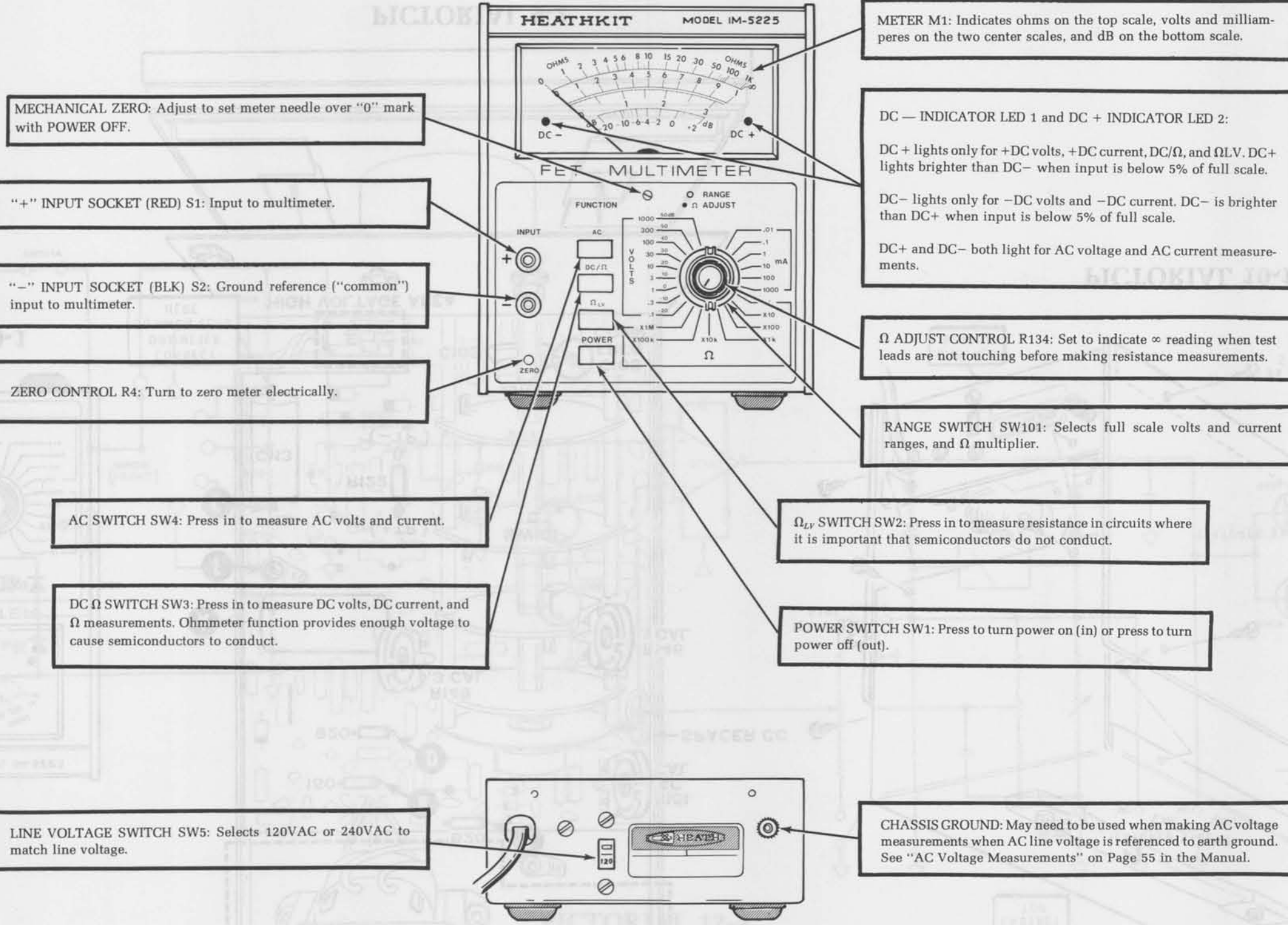
PICTORIAL 9-1



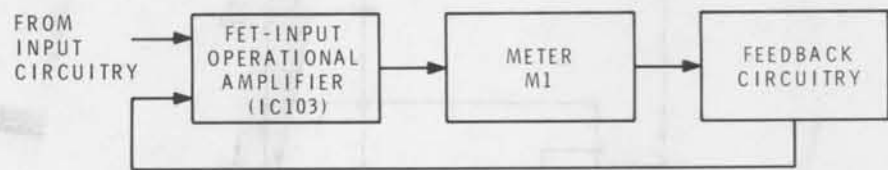
PICTORIAL 9-2



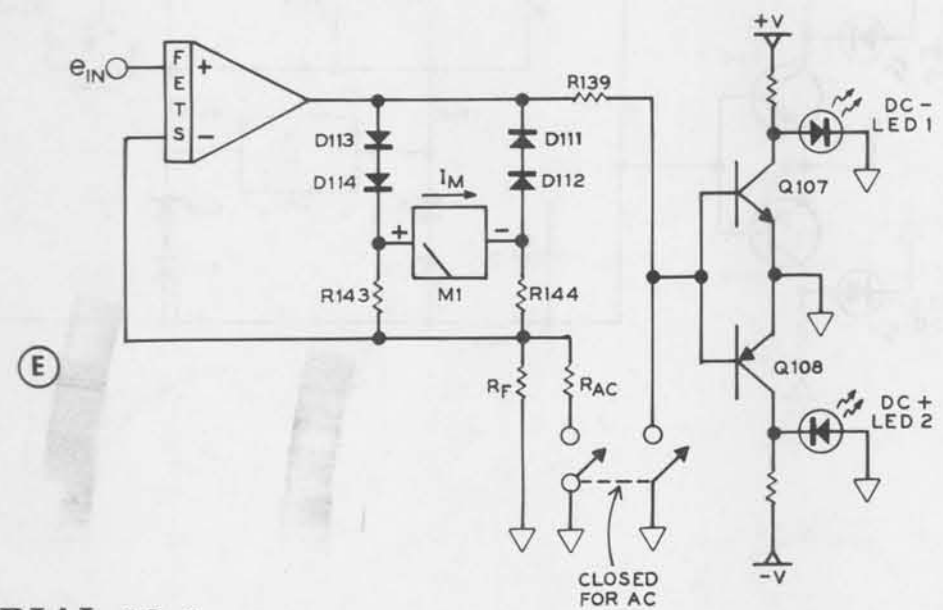
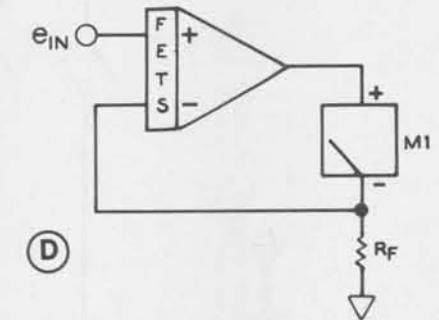
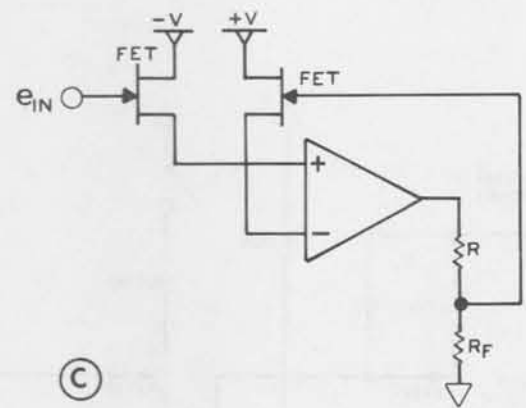
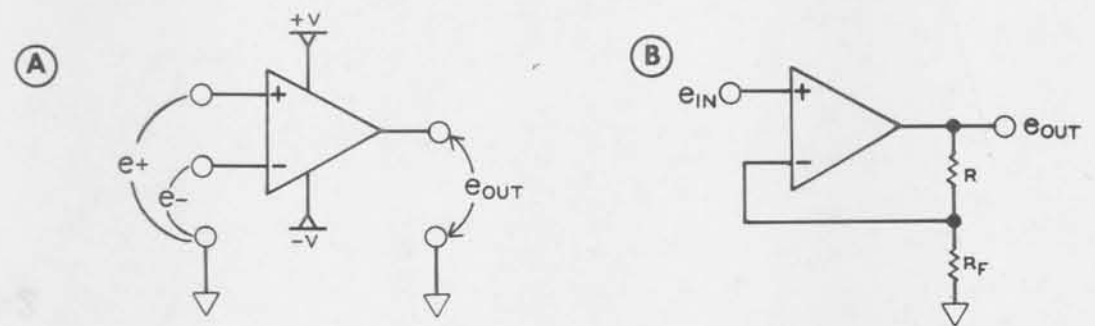
PICTORIAL 10-1



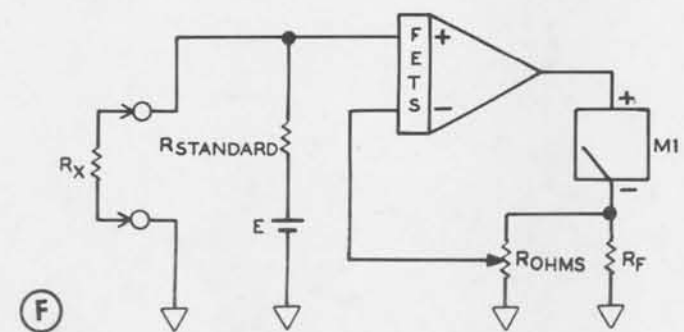
PICTORIAL 11-1

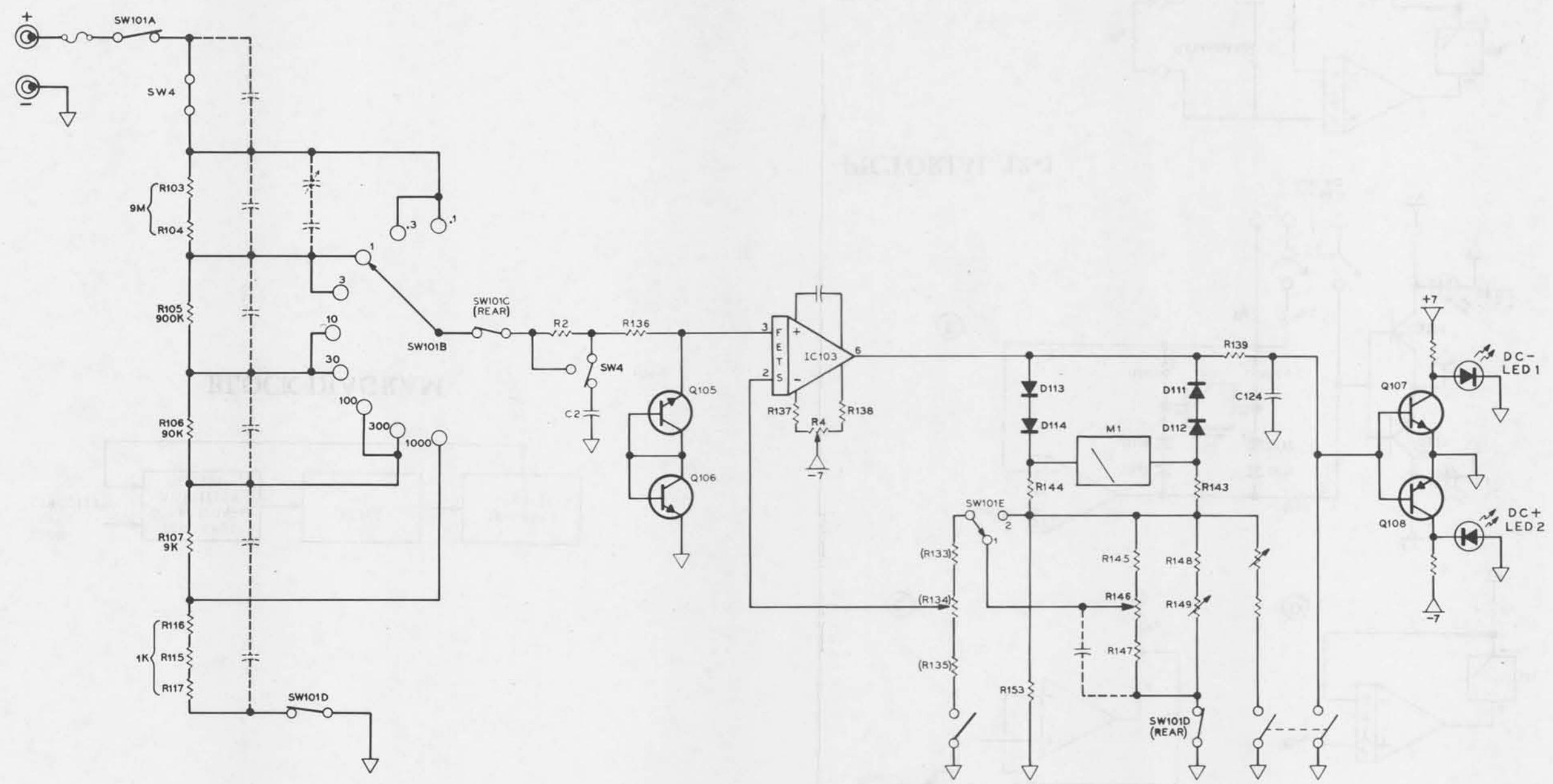


**BLOCK DIAGRAM**



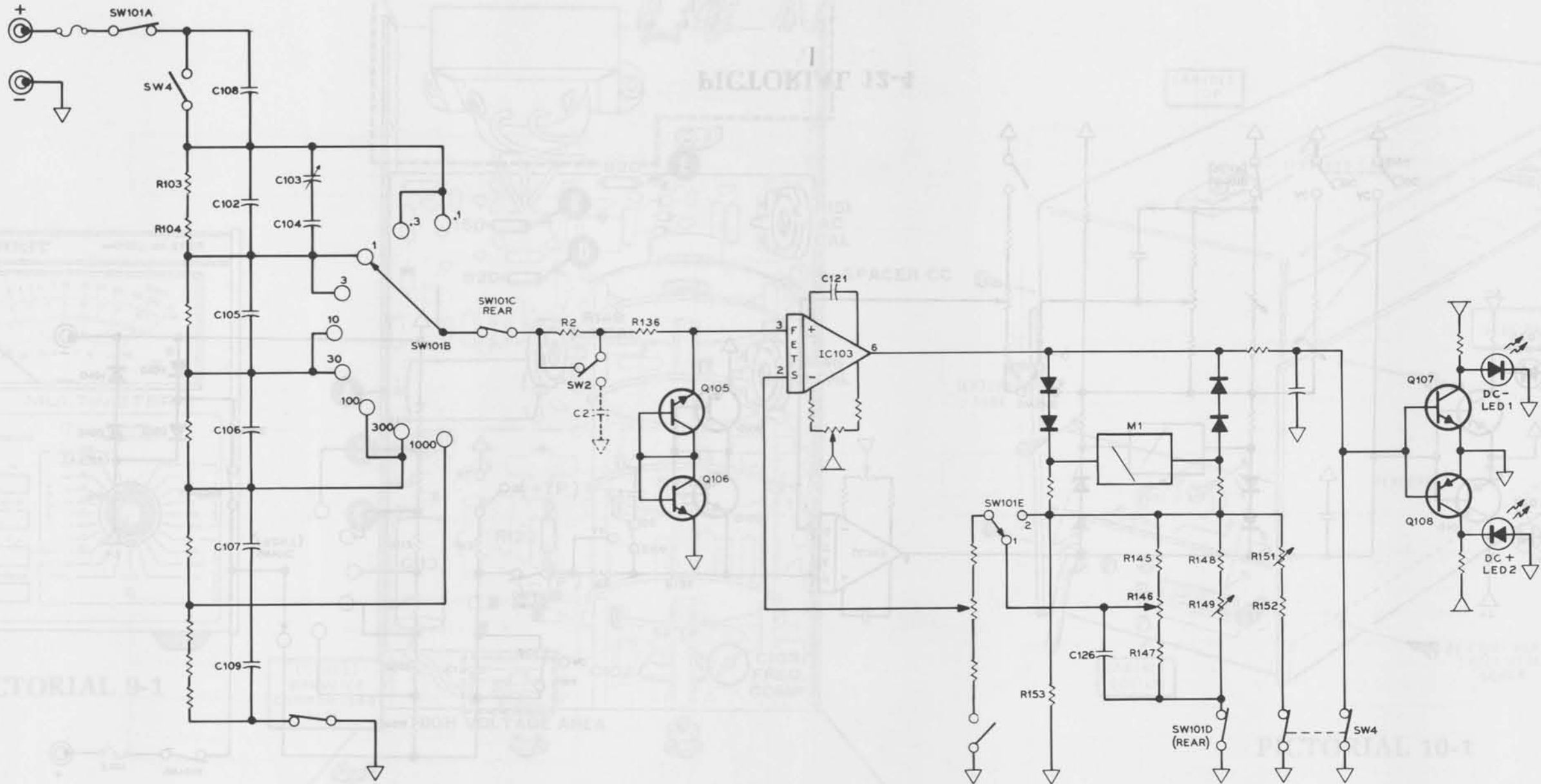
**PICTORIAL 12-1**



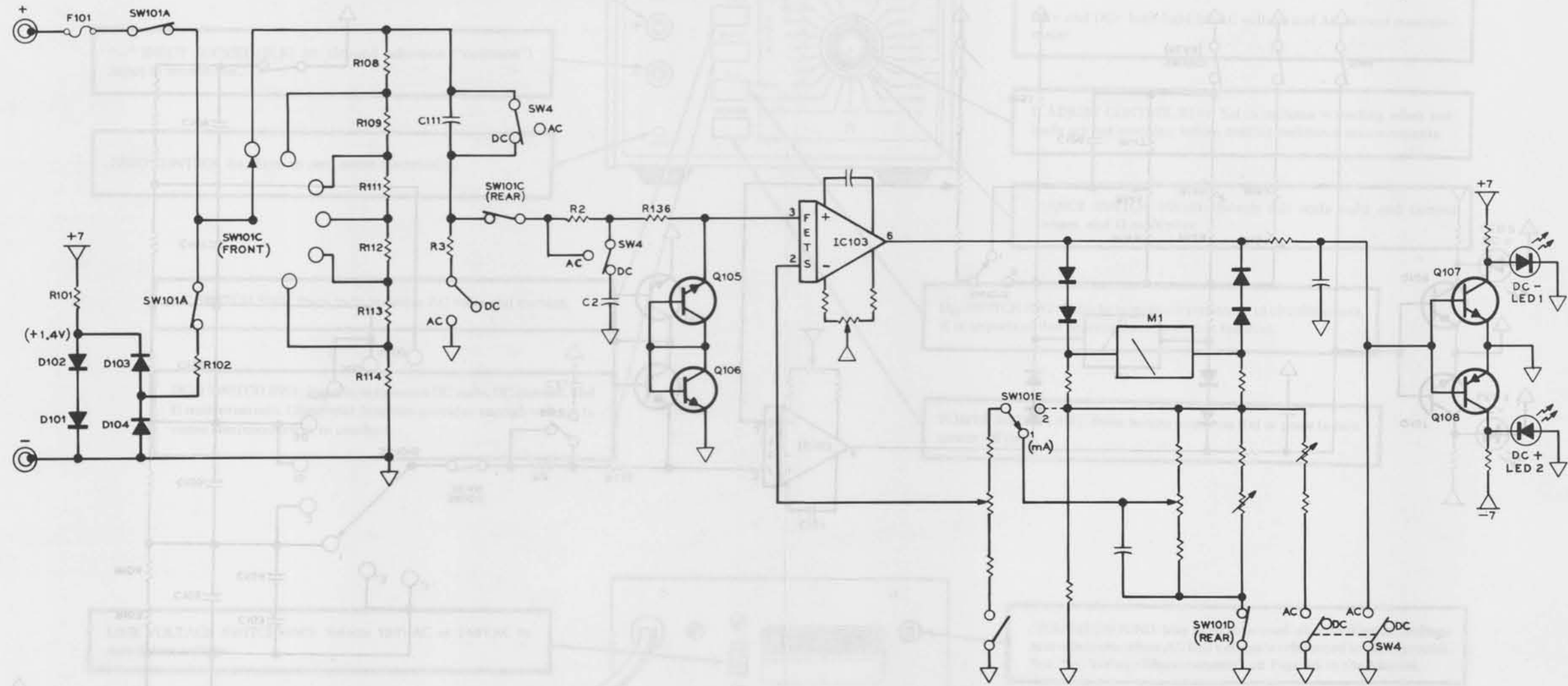


PICTORIAL 12-2



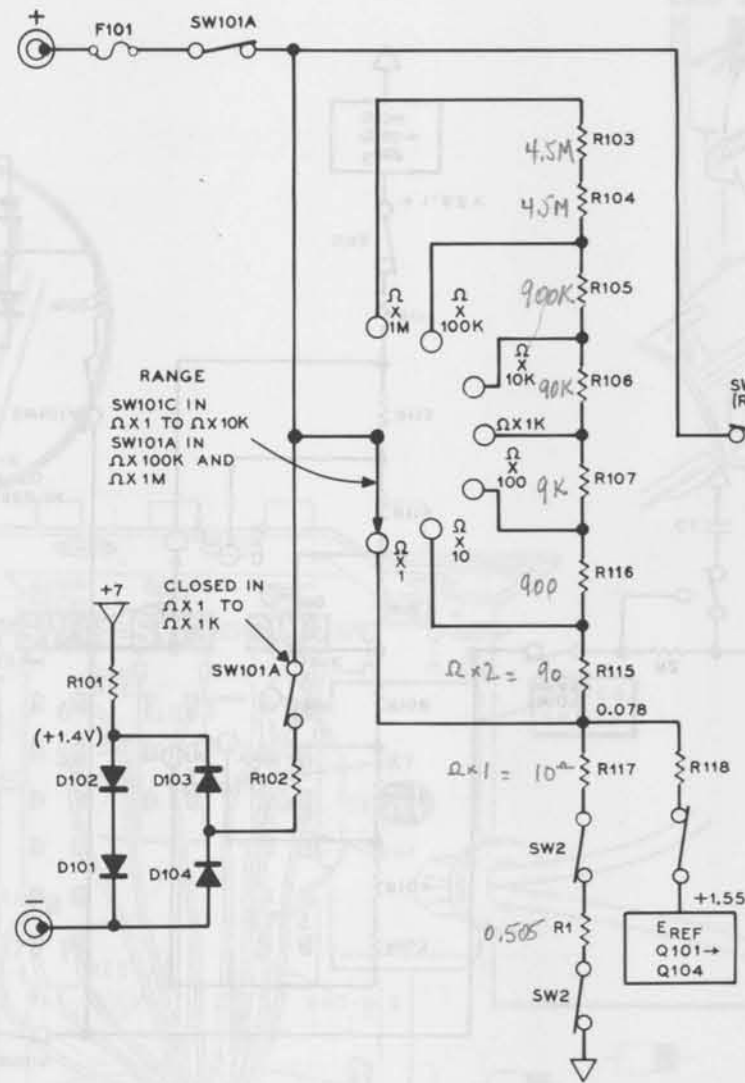


PICTORIAL 12-3

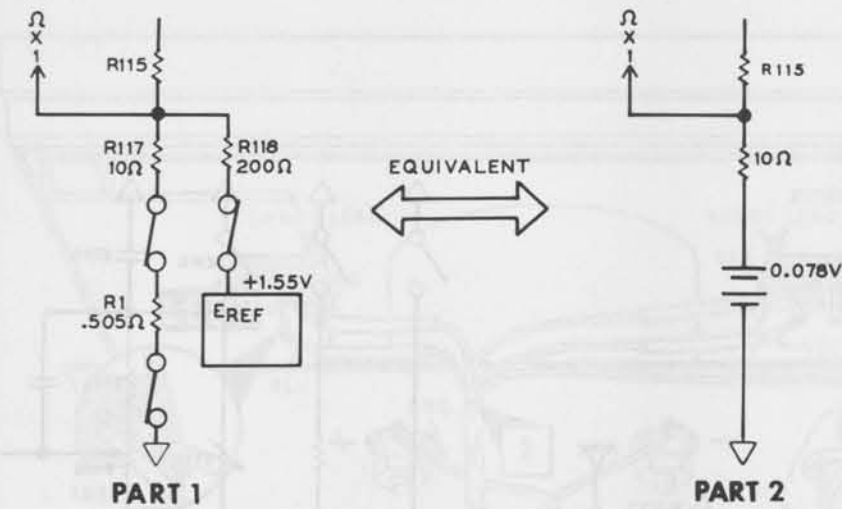


PICTORIAL 12-4

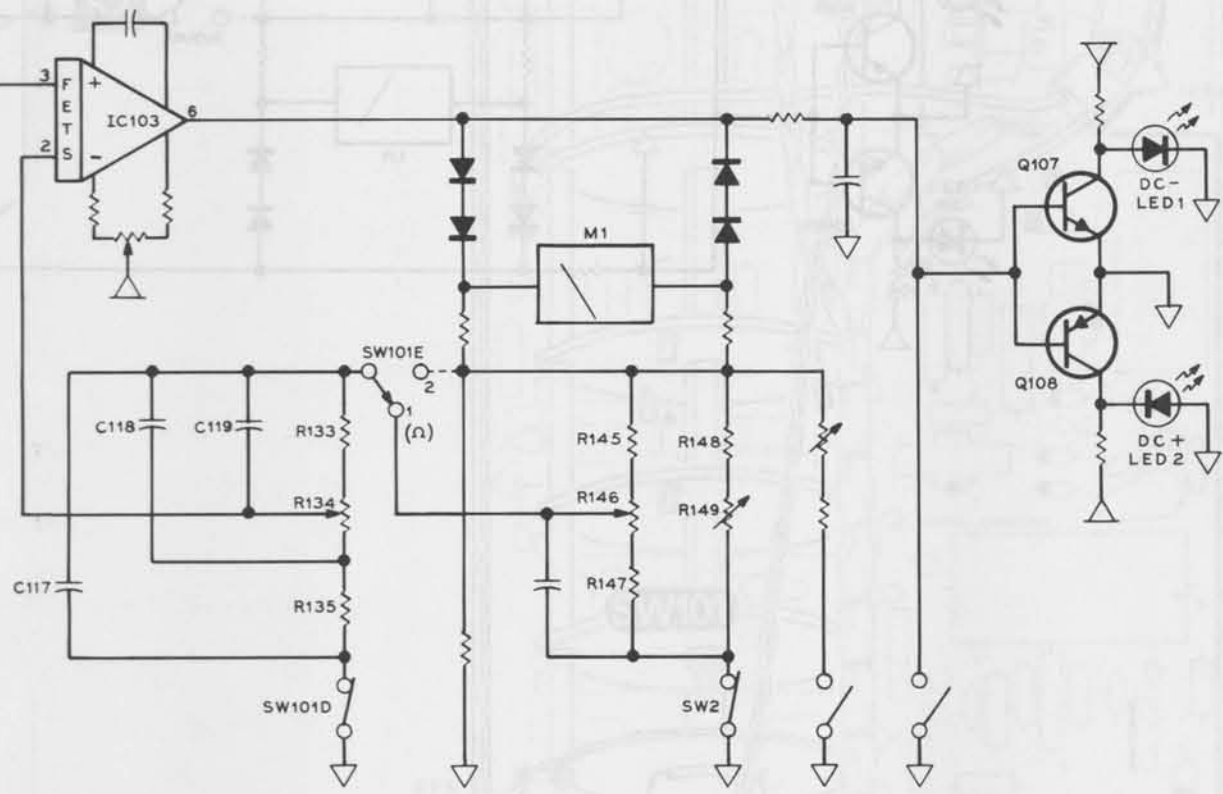
PICTORIAL 11-1



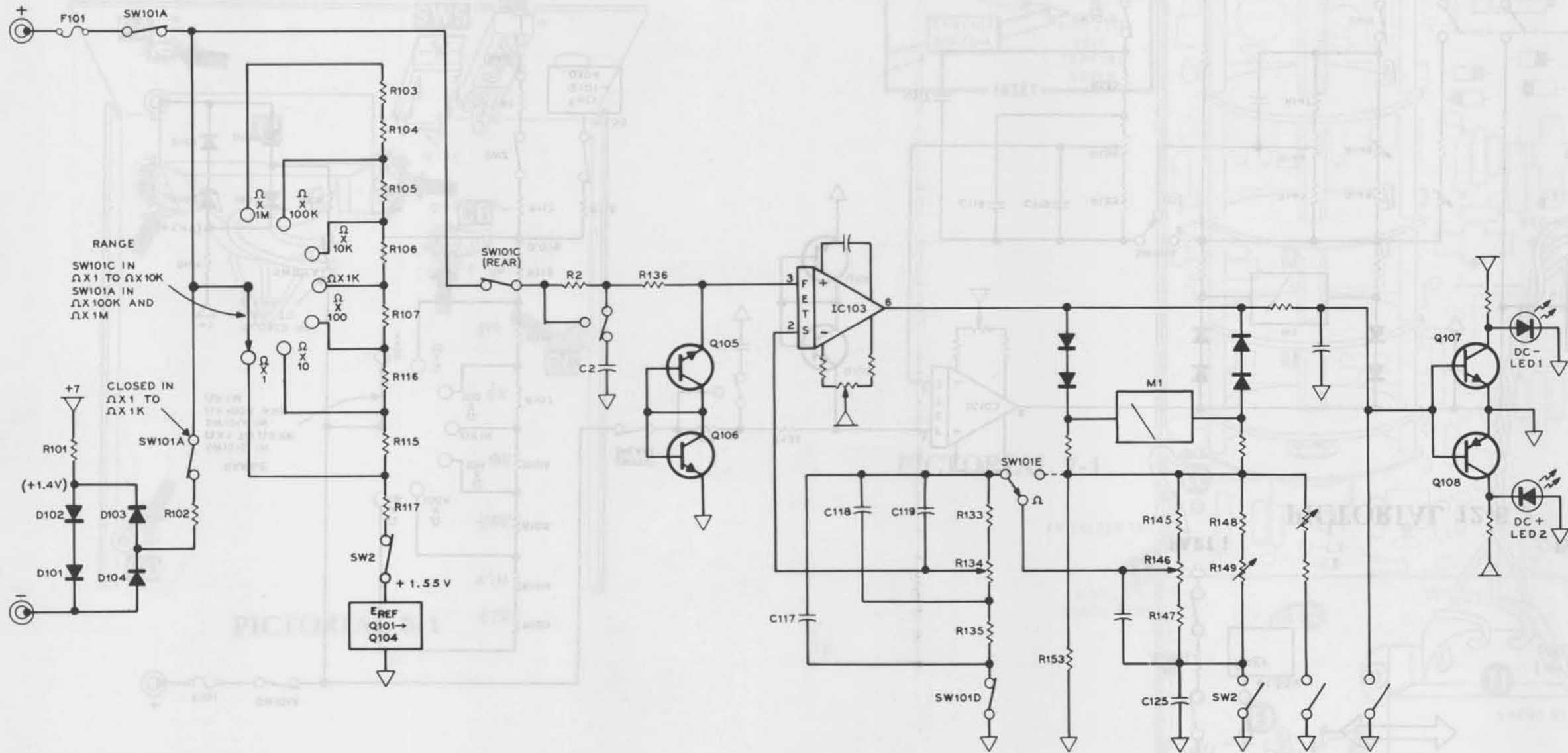
PICTORIAL 12-5



PICTORIAL 12-6



PICTORIAL 12-7

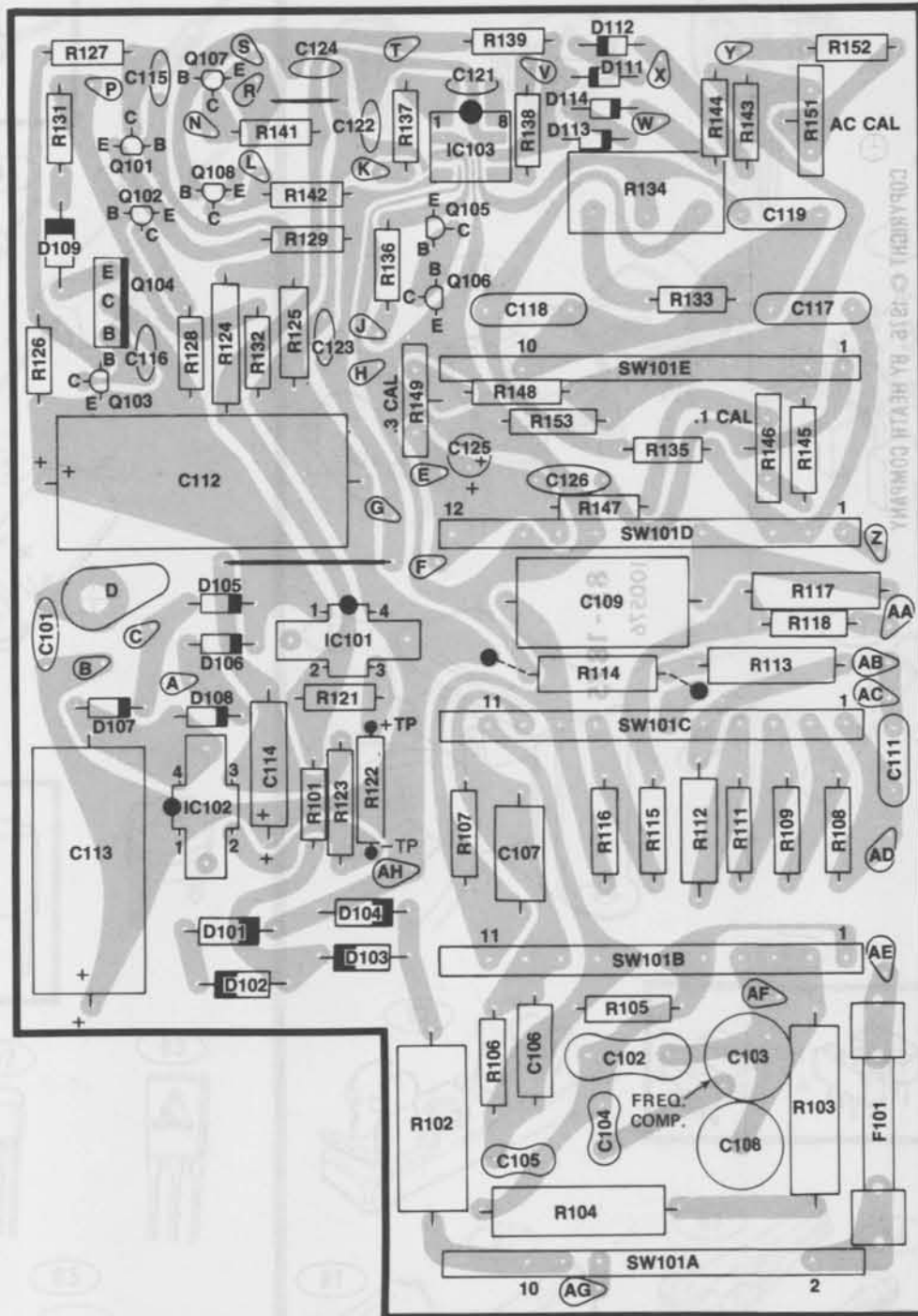


PICTORIAL 12-7

# CIRCUIT BOARD X-RAY VIEW

NOTE: To find the PART NUMBER of a component for the purpose of ordering a replacement part:

- Find the circuit component number (R5, C3, etc.) on the "X-Ray View."
- Locate this same number in the "Circuit Component Number" column of the "Parts List."
- Adjacent to the circuit component number, you will find the PART NUMBER and DESCRIPTION which must be supplied when you order a replacement part.



(Viewed From Component Side)



(Viewed From Foil Side)

