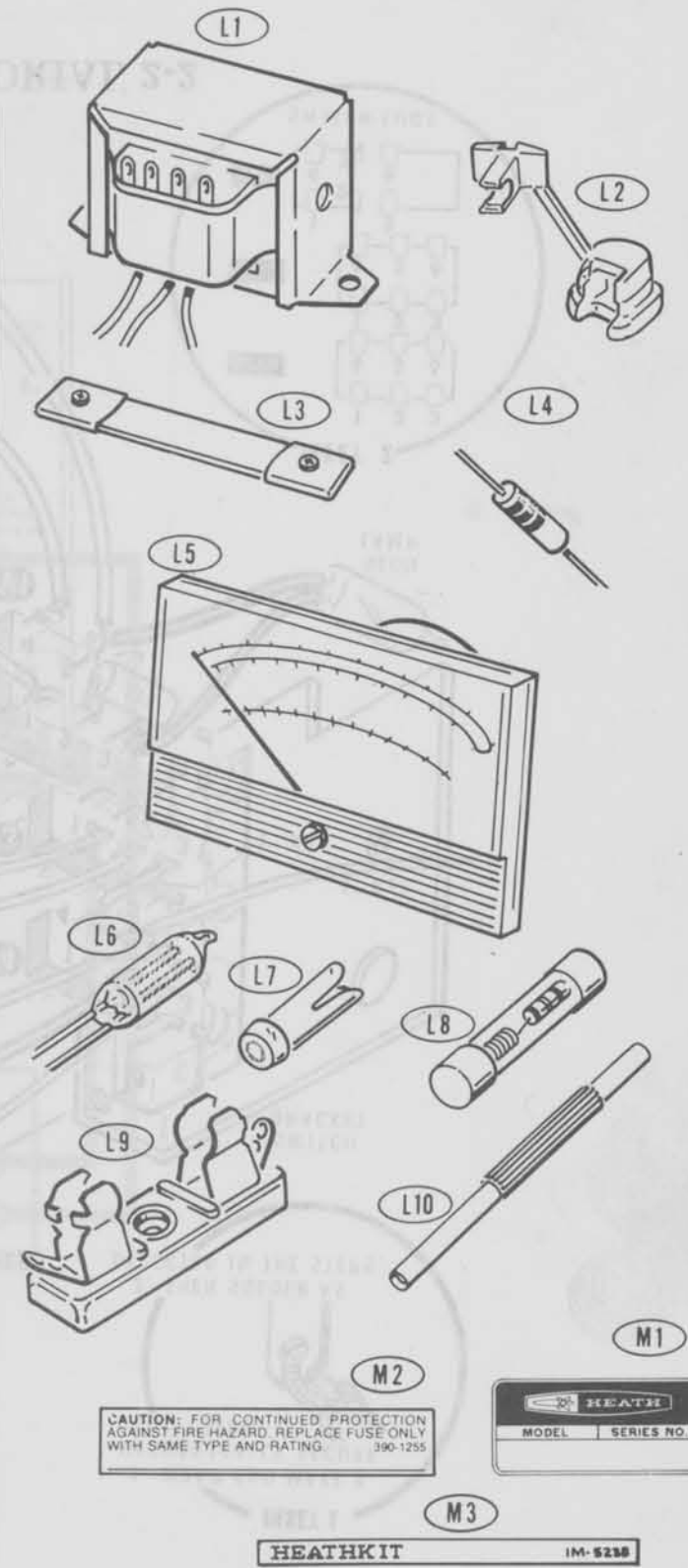
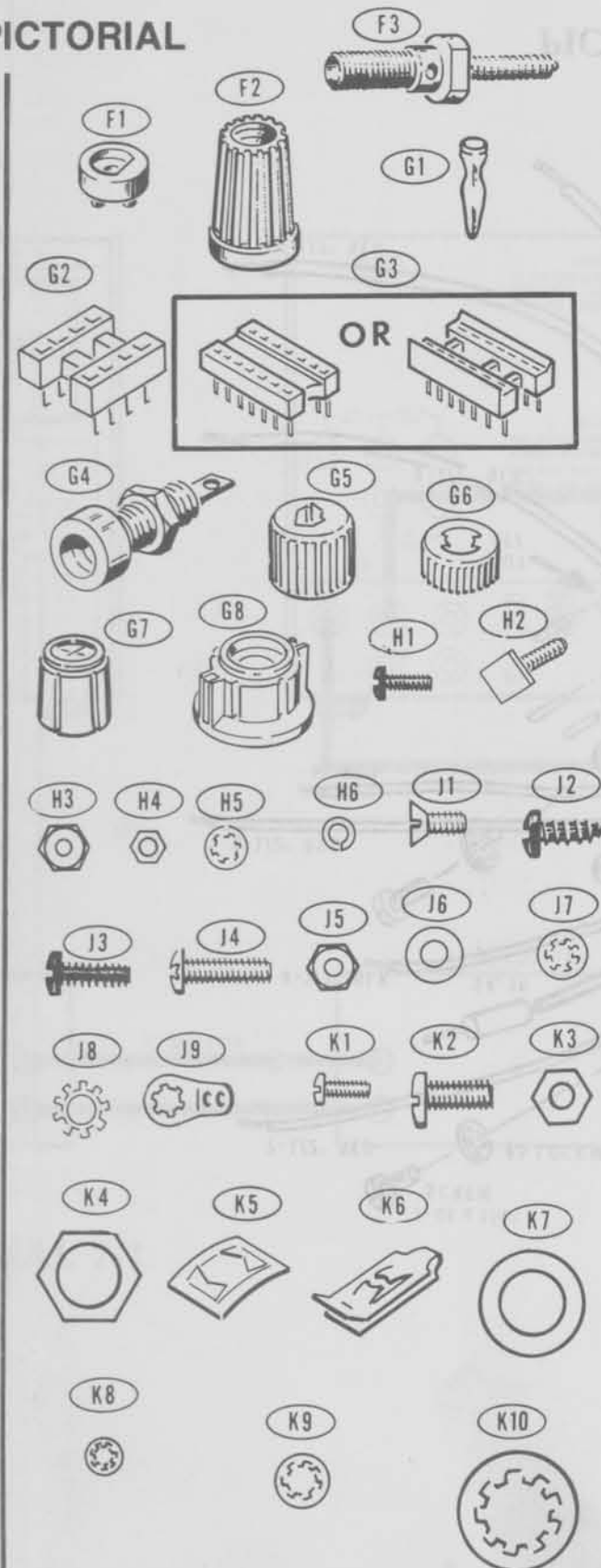
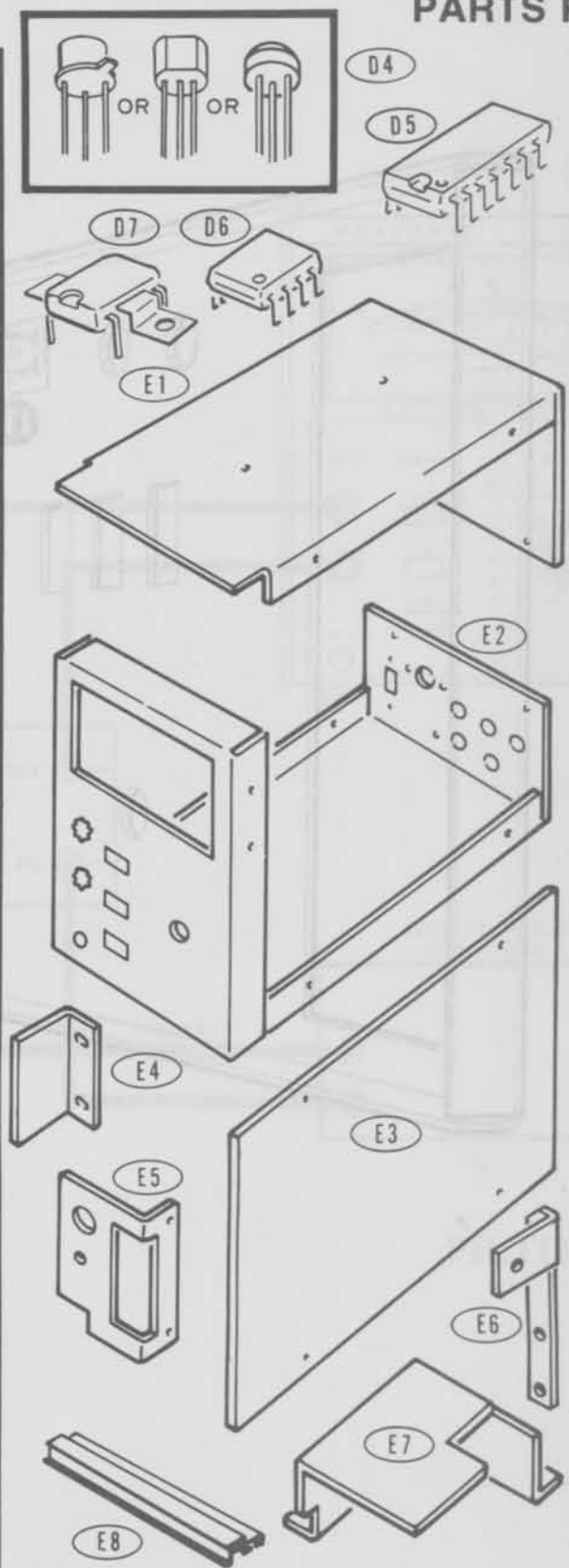
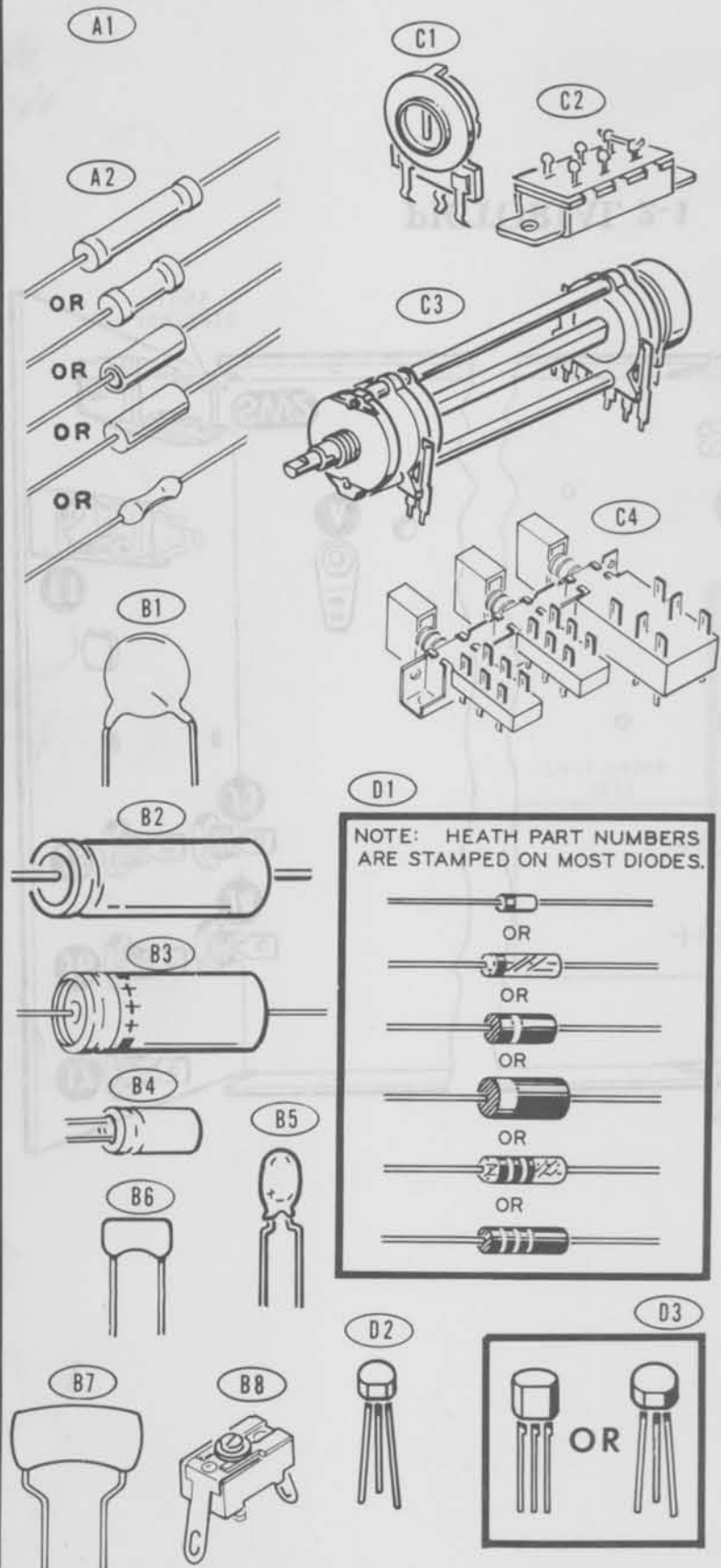


ILLUSTRATION BOOKLET

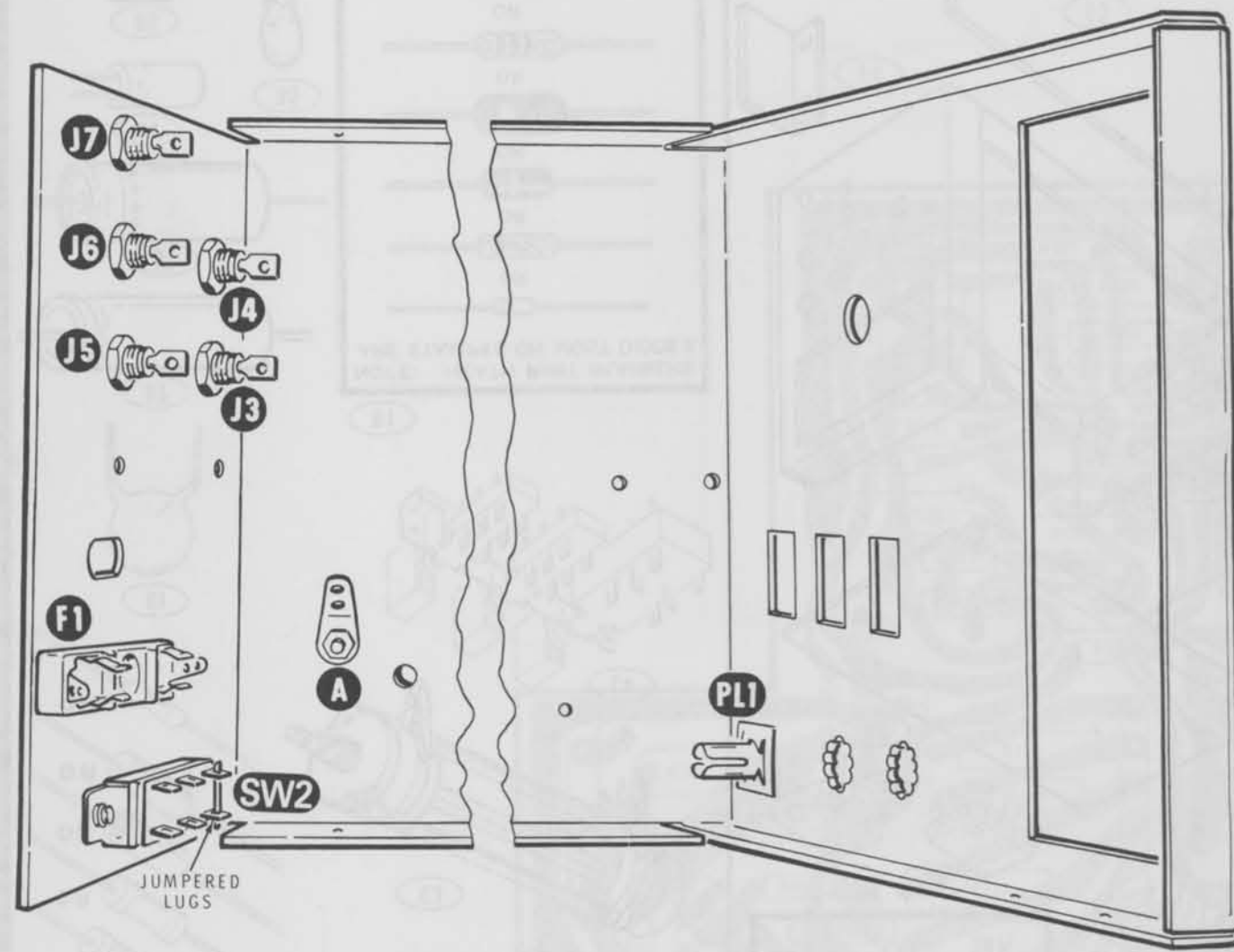
Part of 595-1868-03

PARTS PICTORIAL

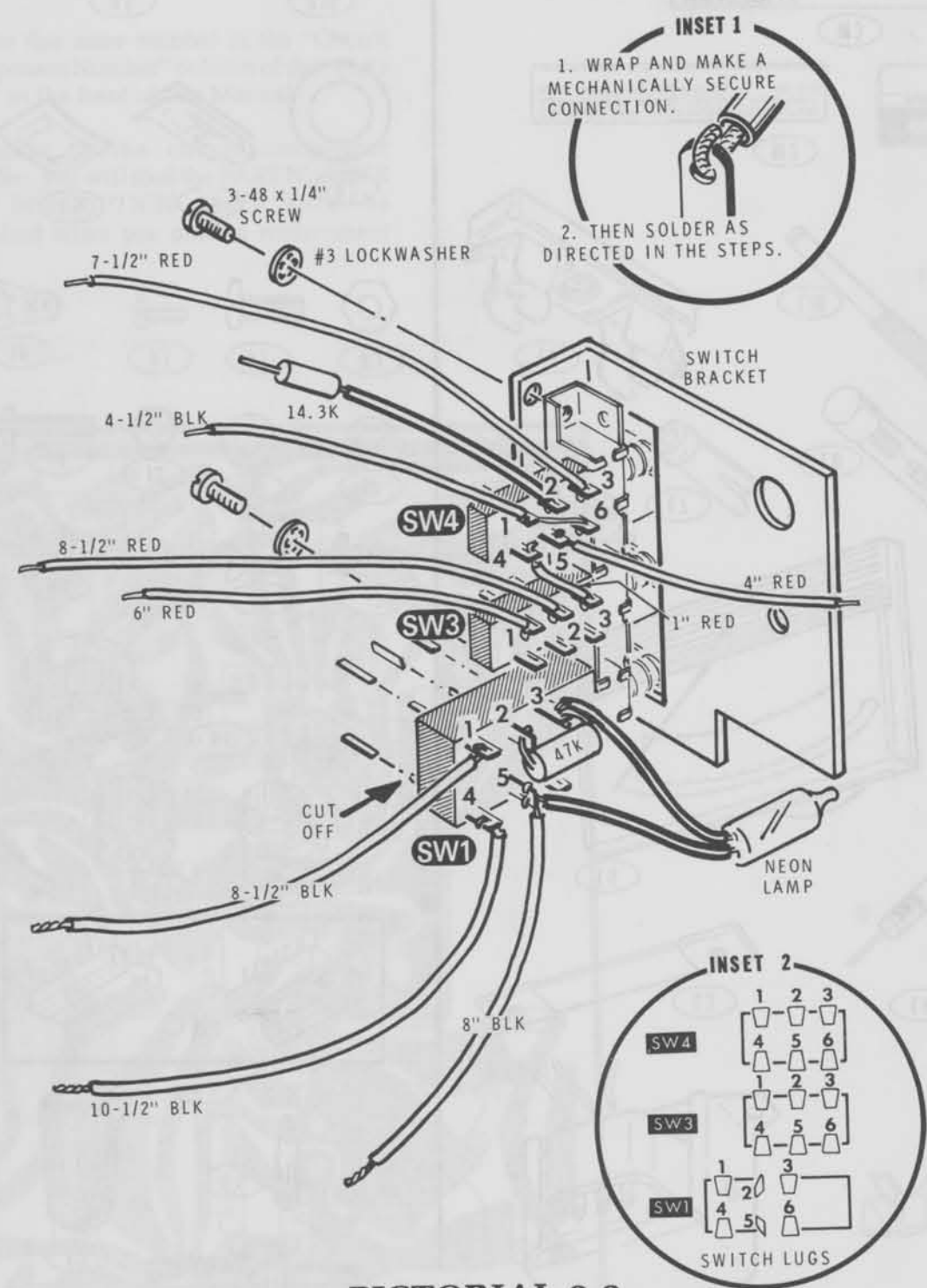


CAUTION: FOR CONTINUED PROTECTION AGAINST FIRE HAZARD, REPLACE FUSE ONLY WITH SAME TYPE AND RATING. 390-1255

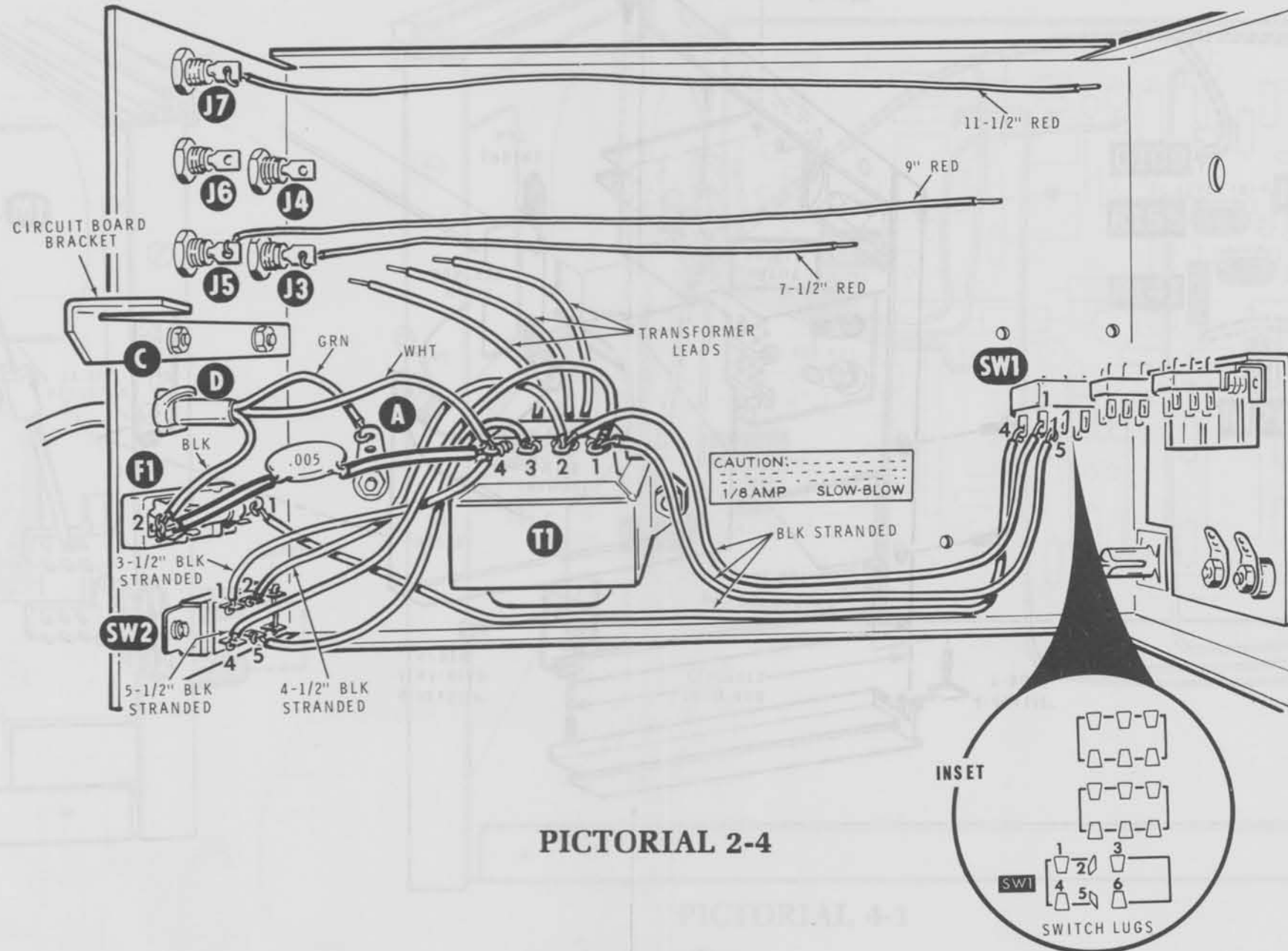




PICTORIAL 2-1

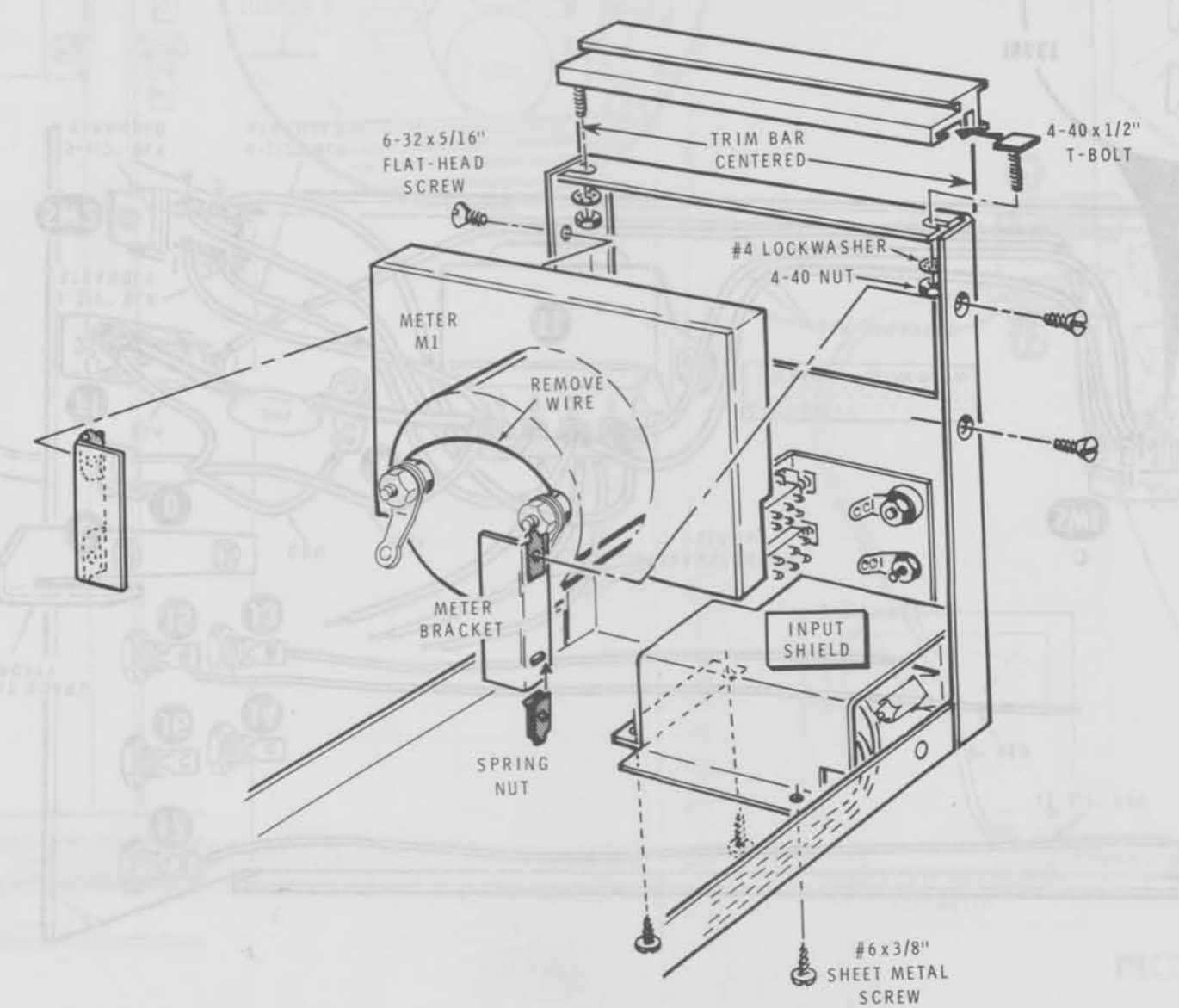


PICTORIAL 2-2

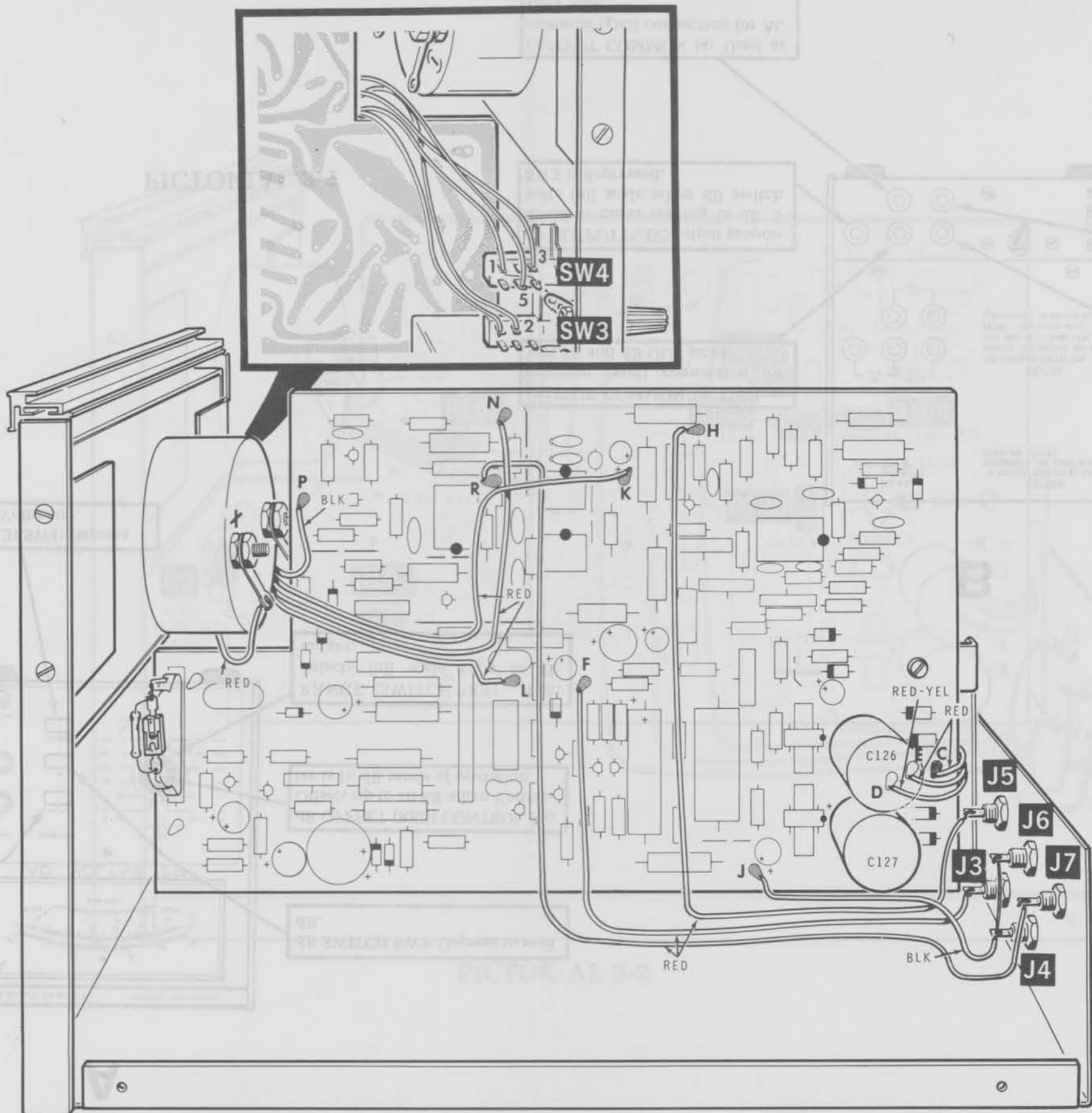


PICTORIAL 2-4

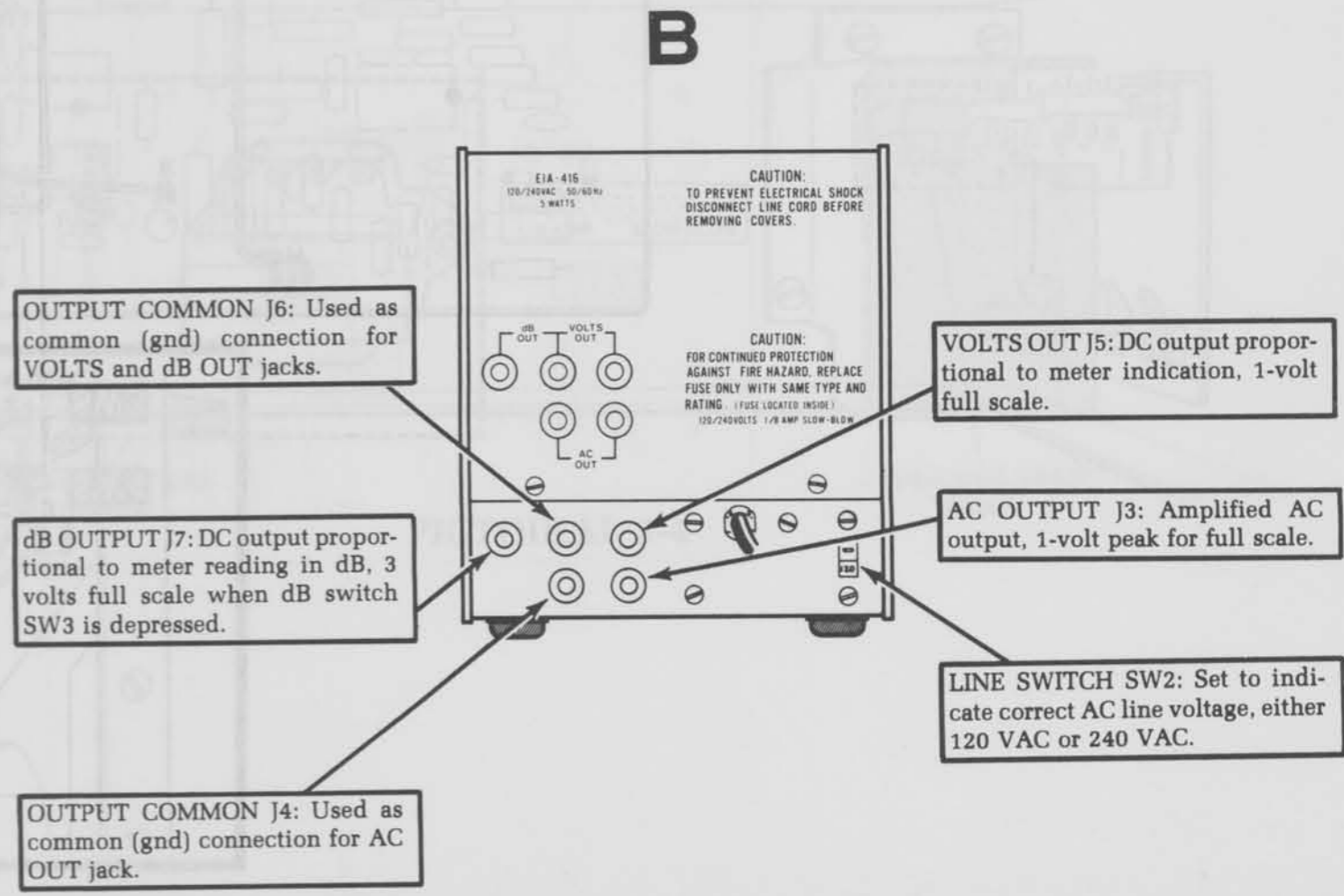
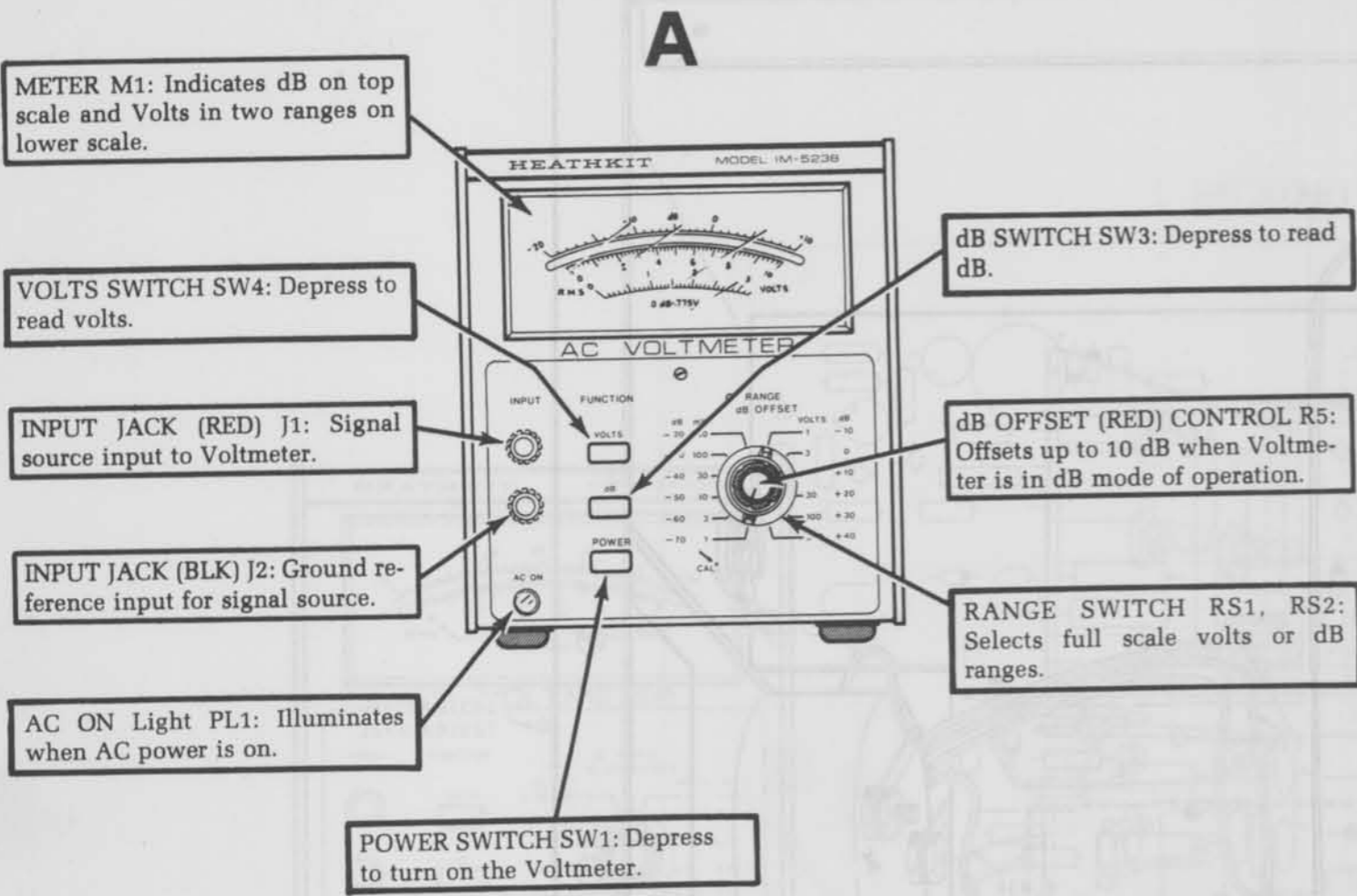
PICTORIAL 4-1



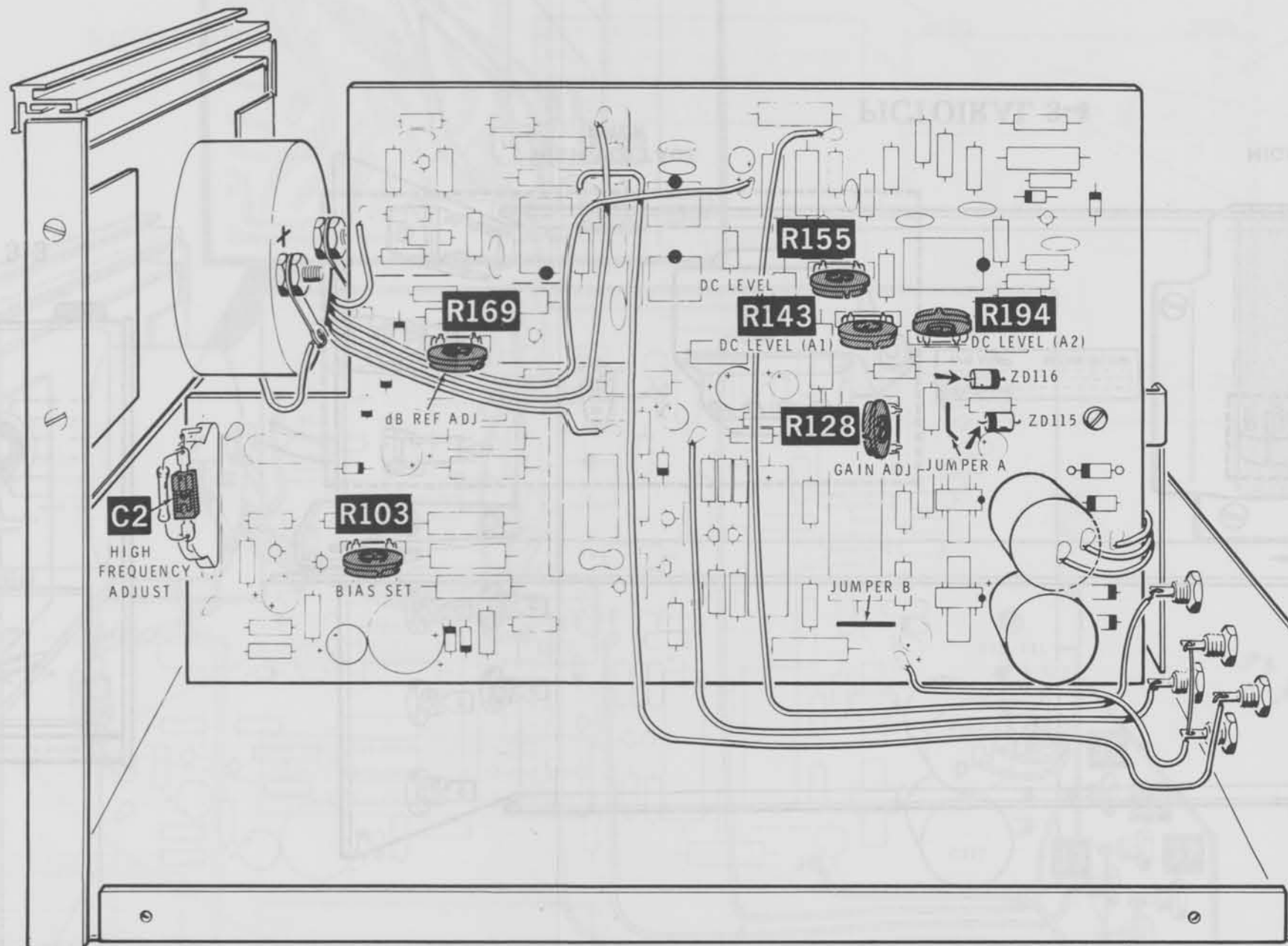
PICTORIAL 2-5



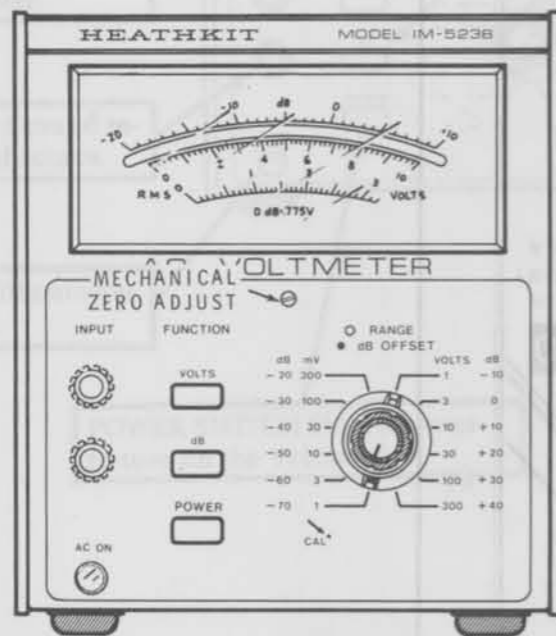
PICTORIAL 2-8



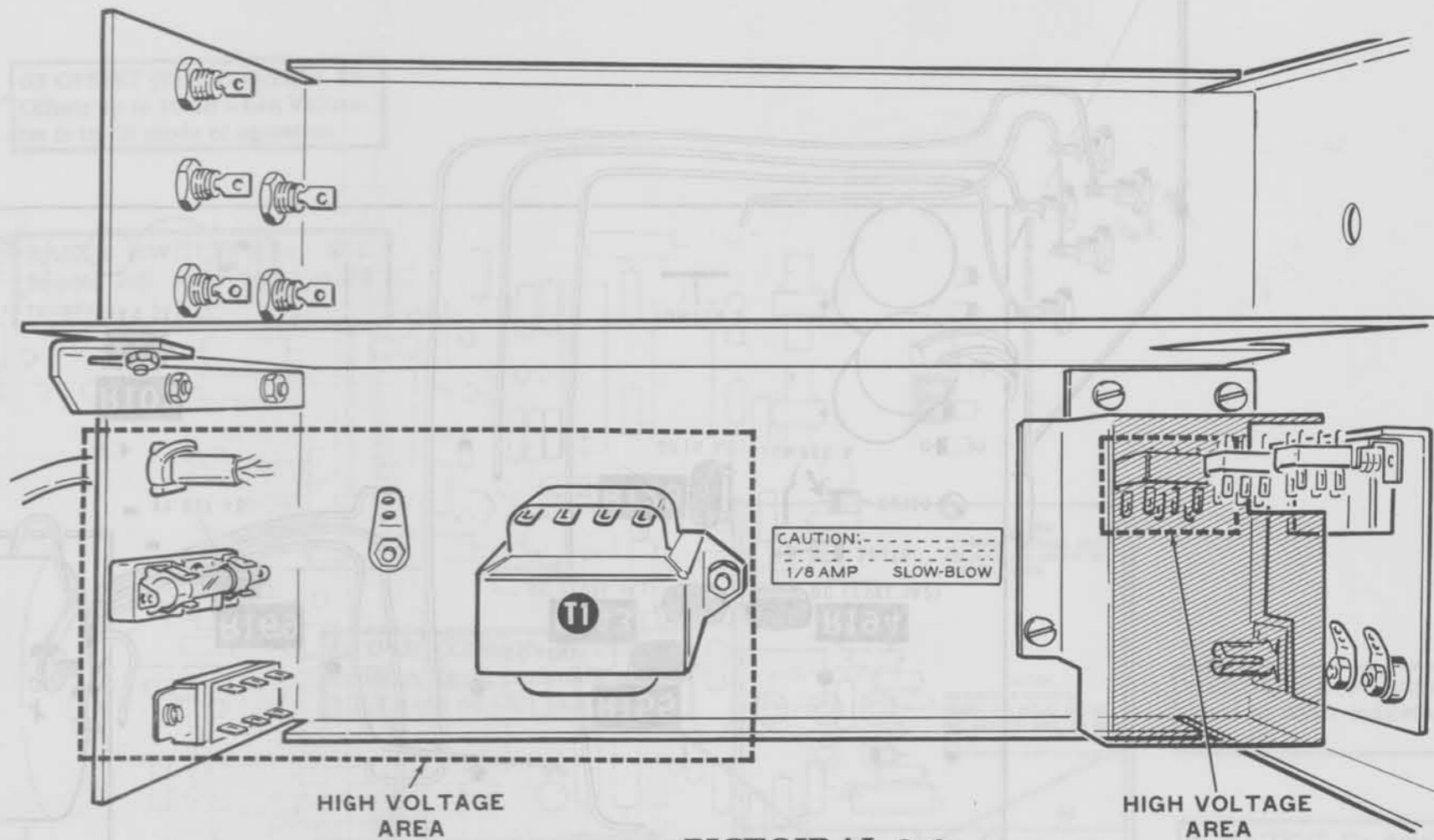
PICTORIAL 3-1



PICTORIAL 3-2



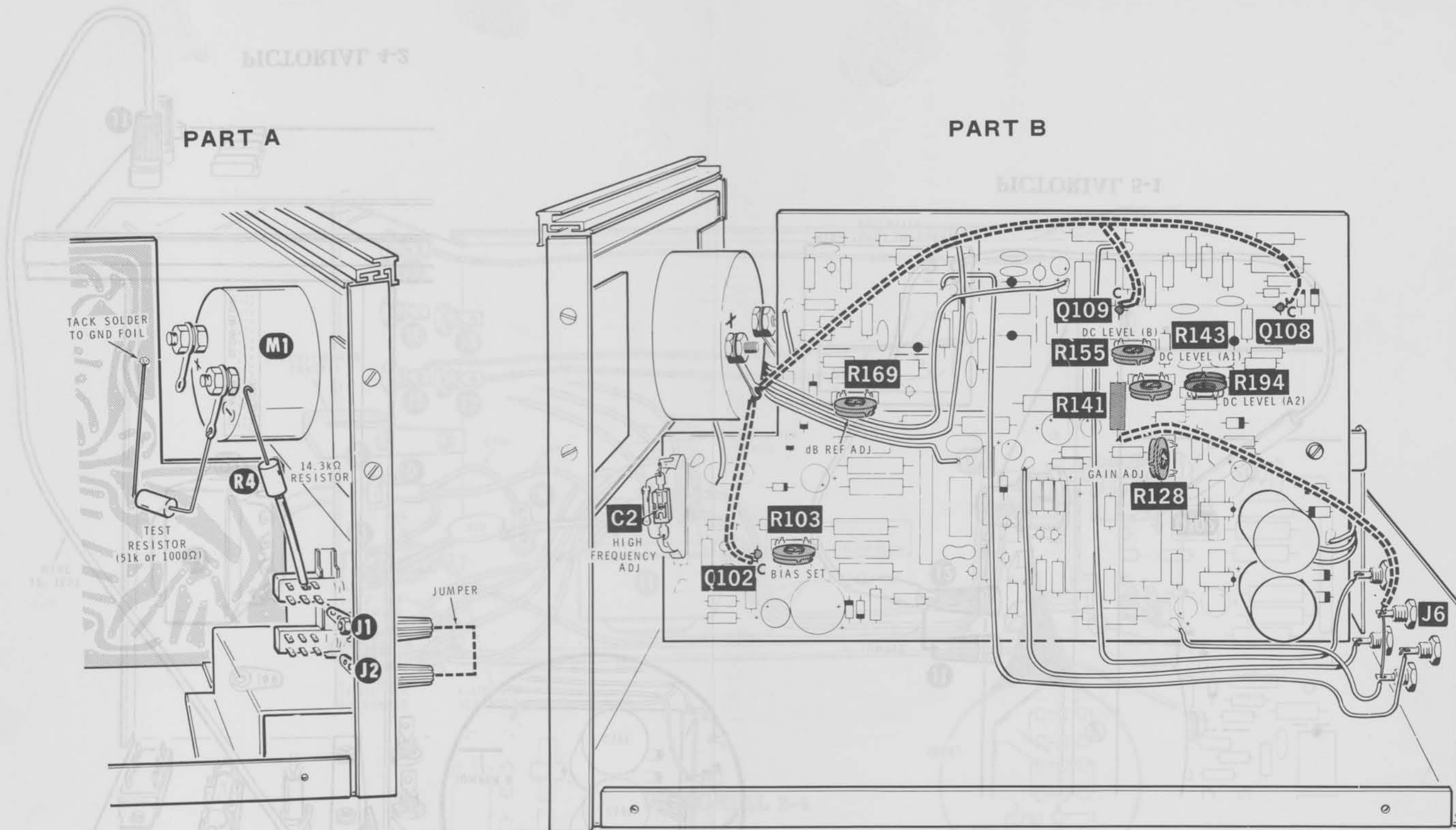
PICTORIAL 3-3



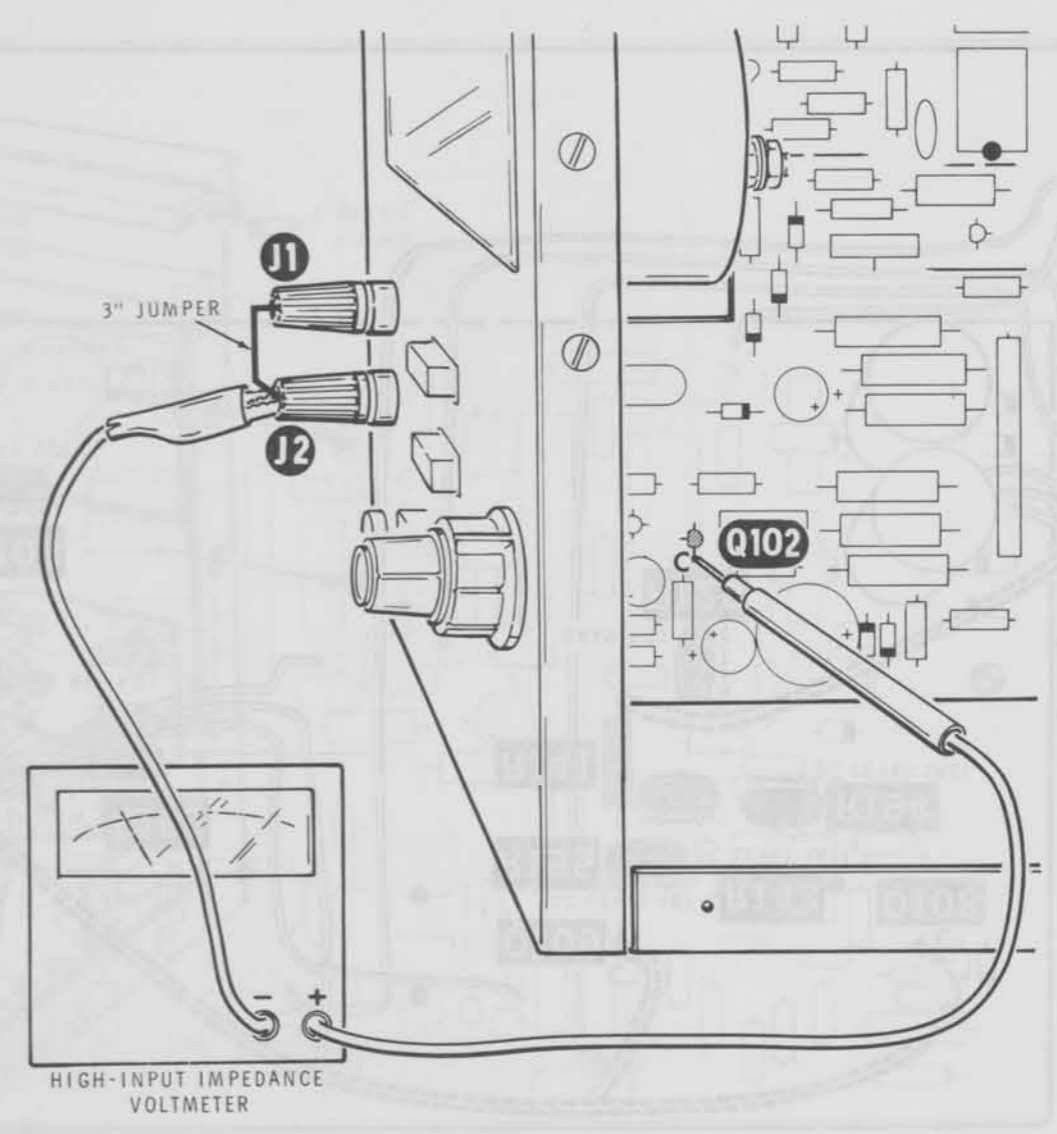
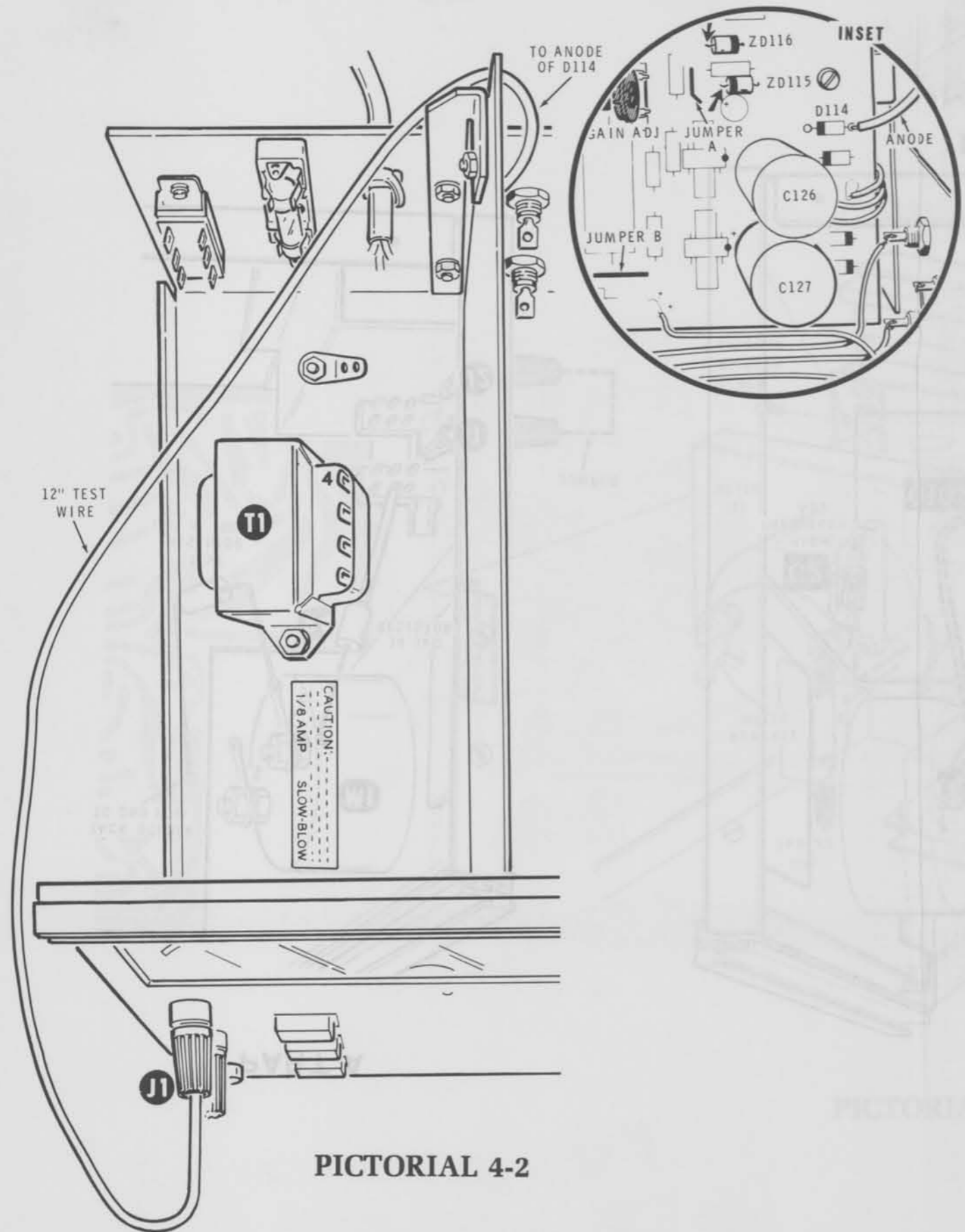
PICTOIRAL 3-4

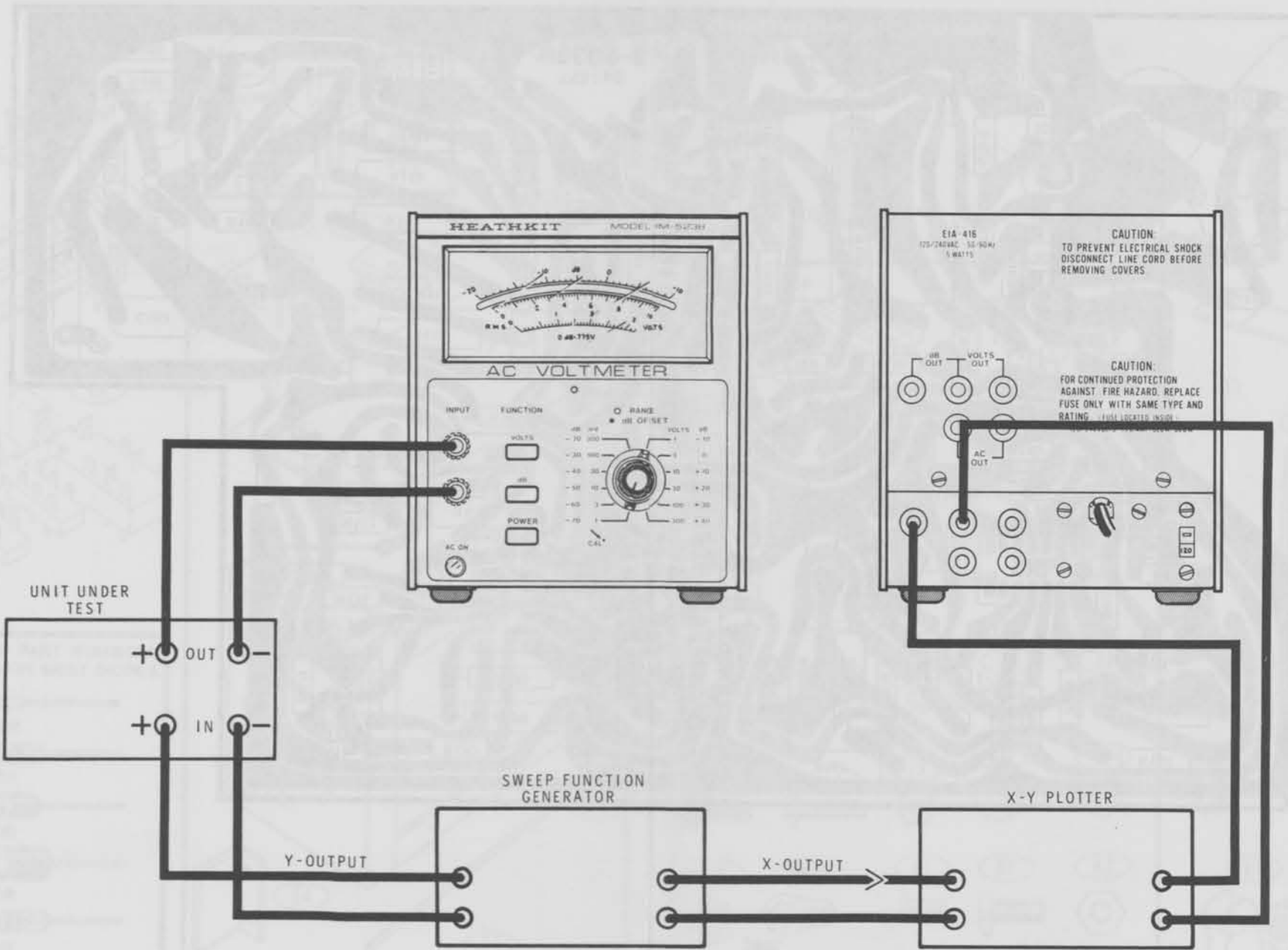
PART A

PART B



PICTORIAL 4-1



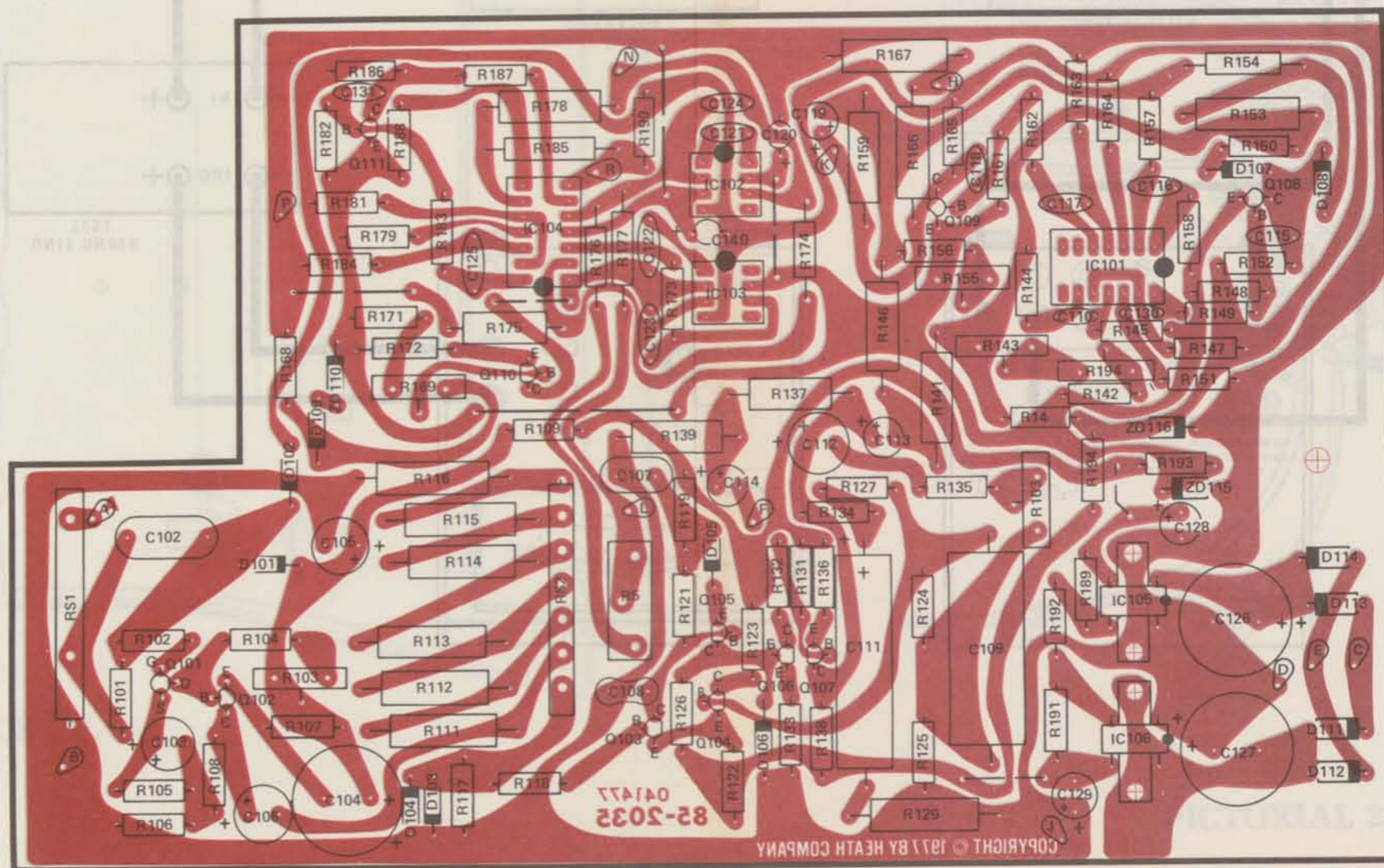


PICTORIAL 7-1

CIRCUIT BOARD X-RAY VIEW

NOTE: To find the PART NUMBER of a component for the purpose of ordering a replacement part:

- Find the circuit component number (R5, C3, etc.) on the X-Ray View or on the Schematic diagram.
- Locate this same number in the "Circuit Component Number" column of the "Parts List" in the front of this Manual.
- Adjacent to the circuit component number, you will find the PART NUMBER and DESCRIPTION which must be supplied when you order a replacement part.



(Viewed from the component side)