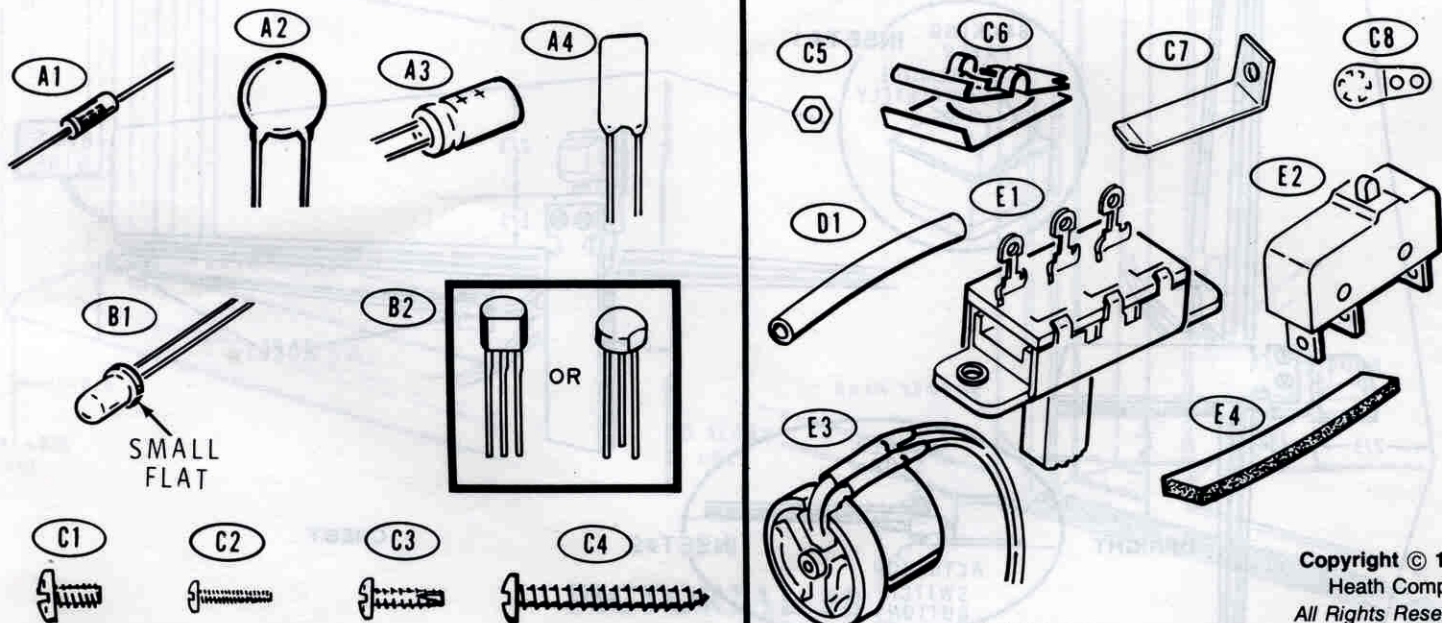


ILLUSTRATION BOOKLET

Part of 595-1912-01

PARTS PICTORIAL

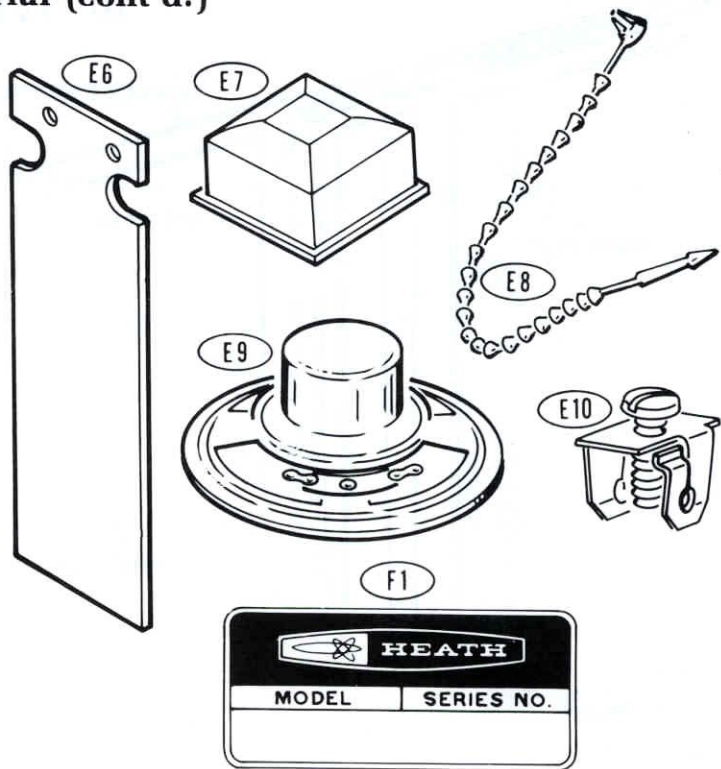
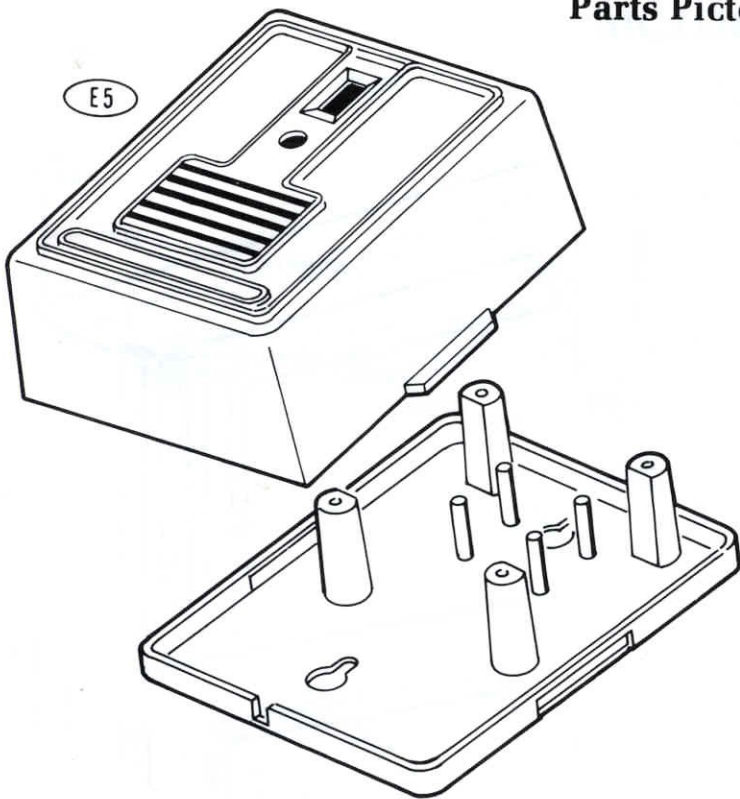


Model GD-1183

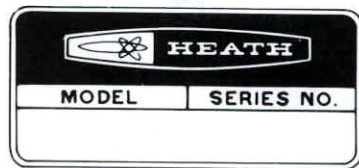
Copyright © 1976
Heath Company
All Rights Reserved

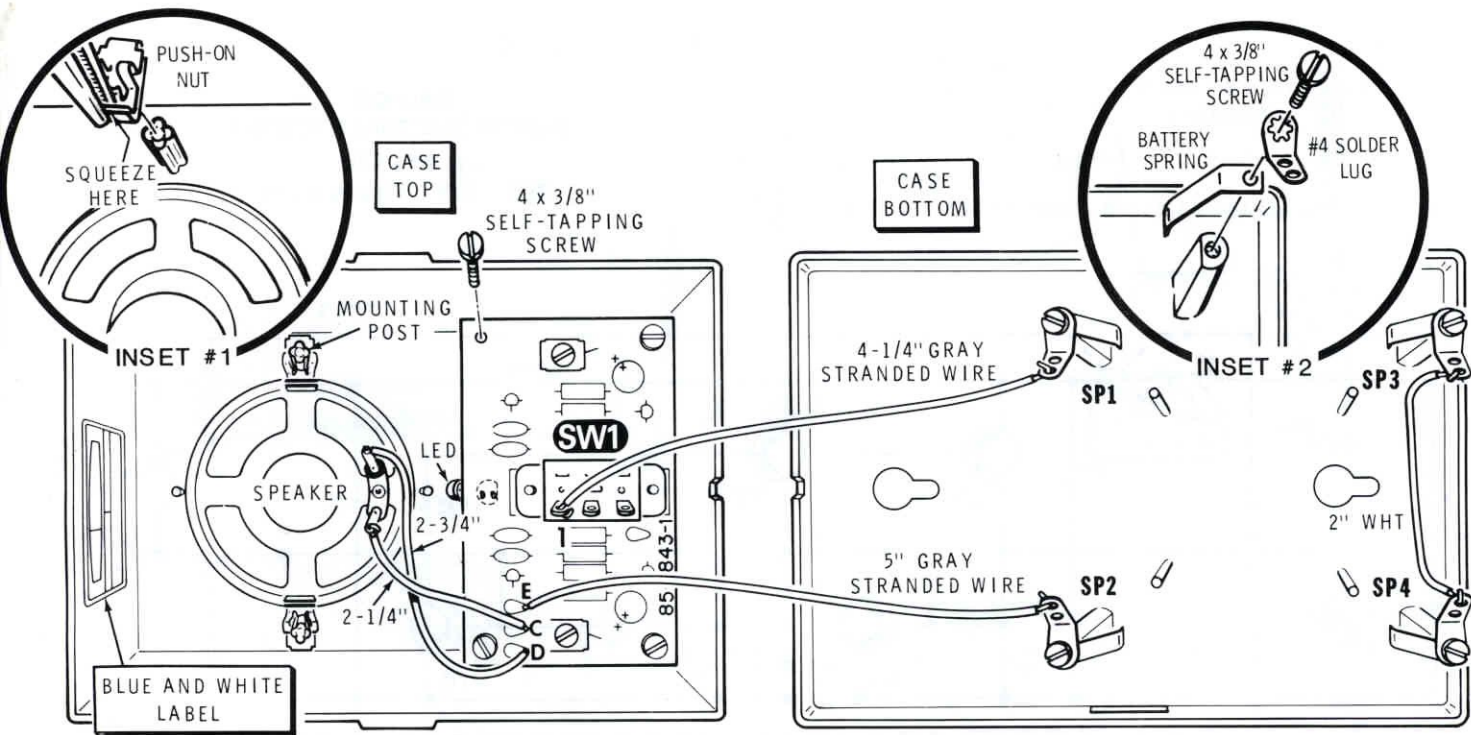
Printed in the United States of America

Parts Pictorial (cont'd.)

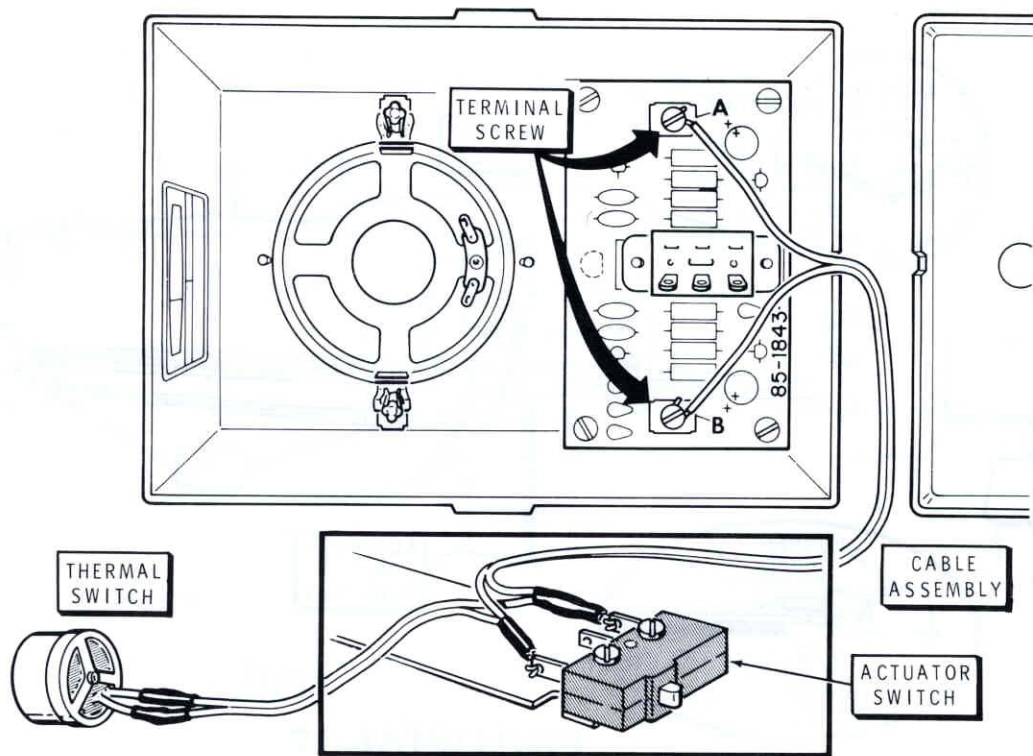


F1



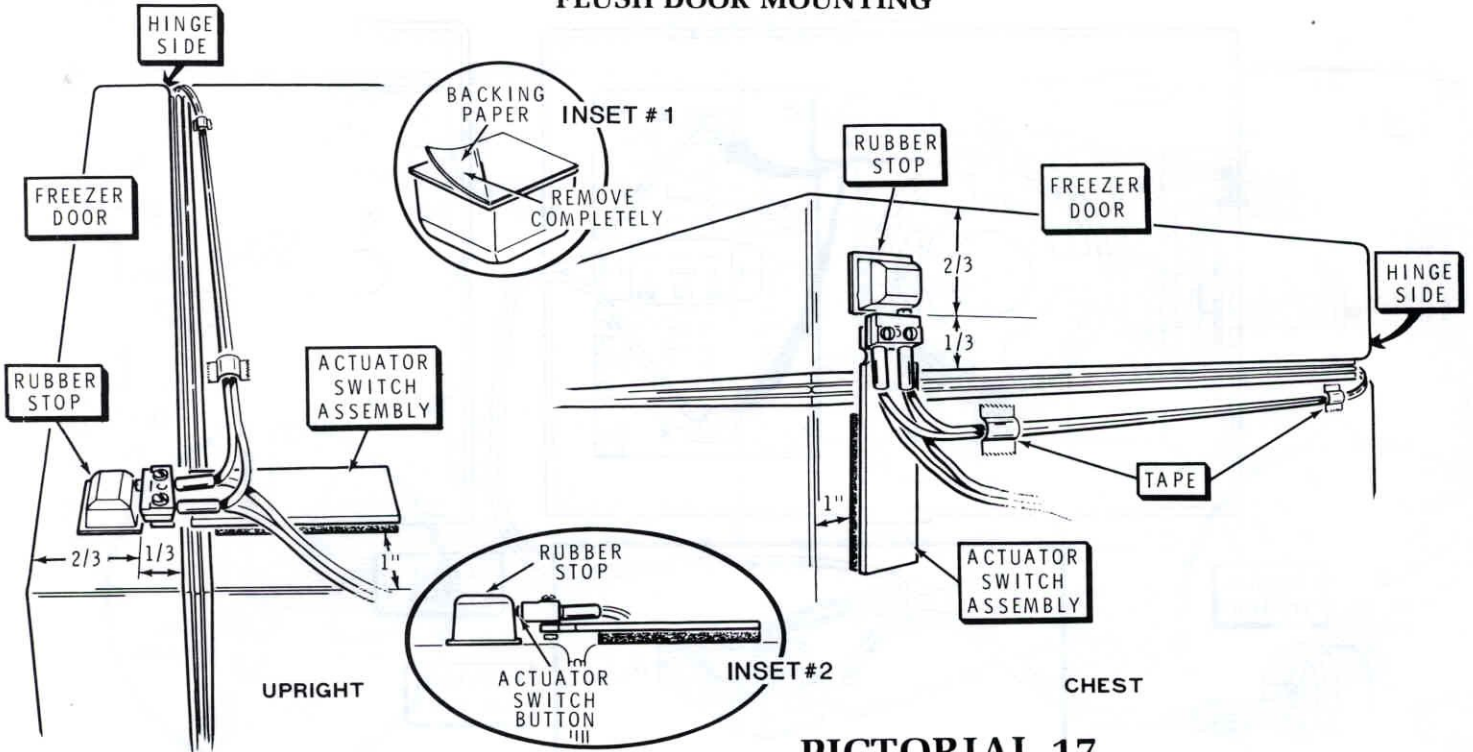


PICTORIAL 5



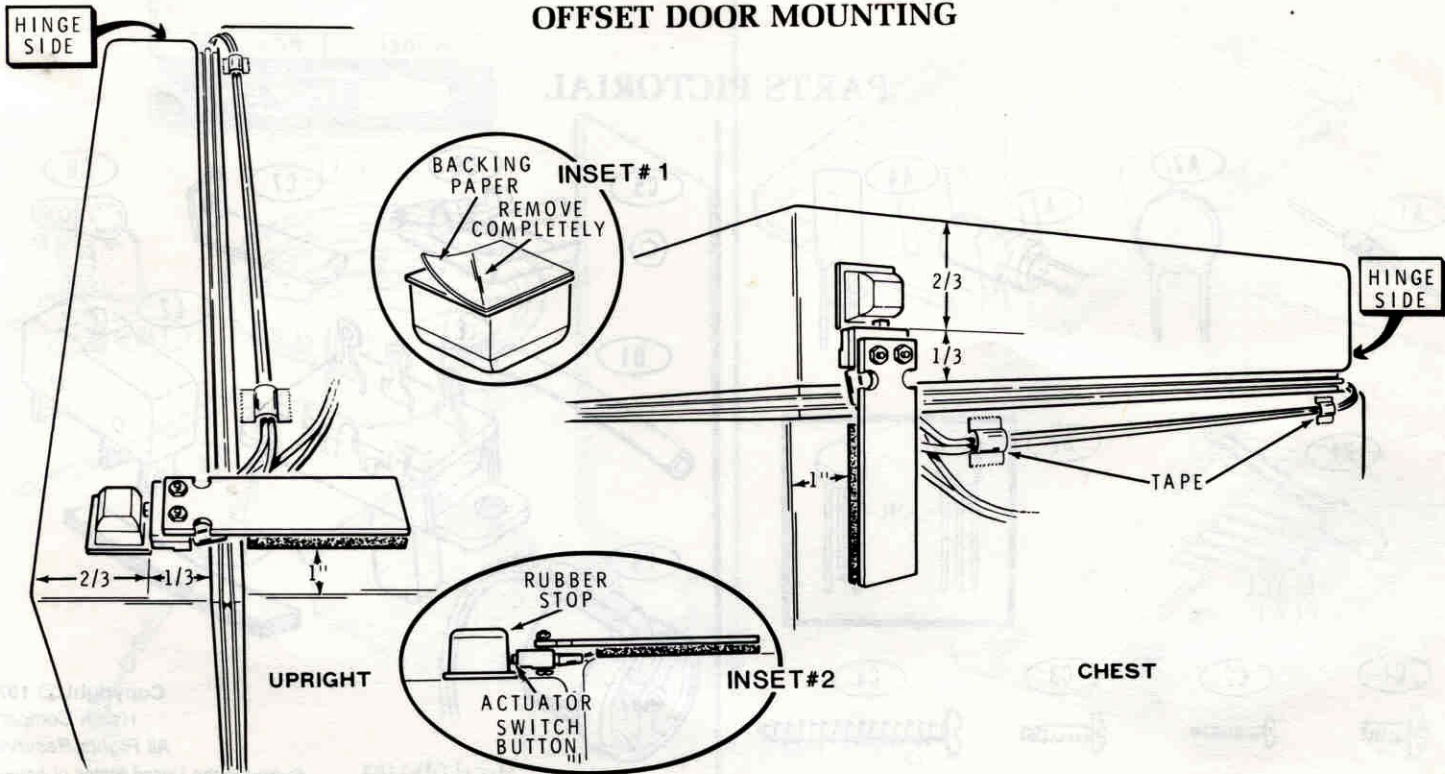
PICTORIAL 12

FLUSH DOOR MOUNTING

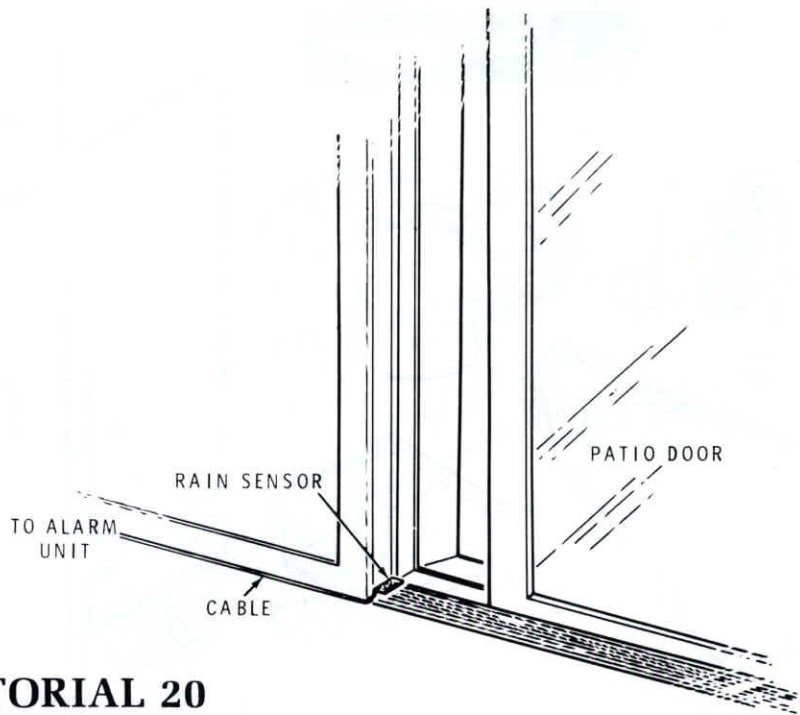
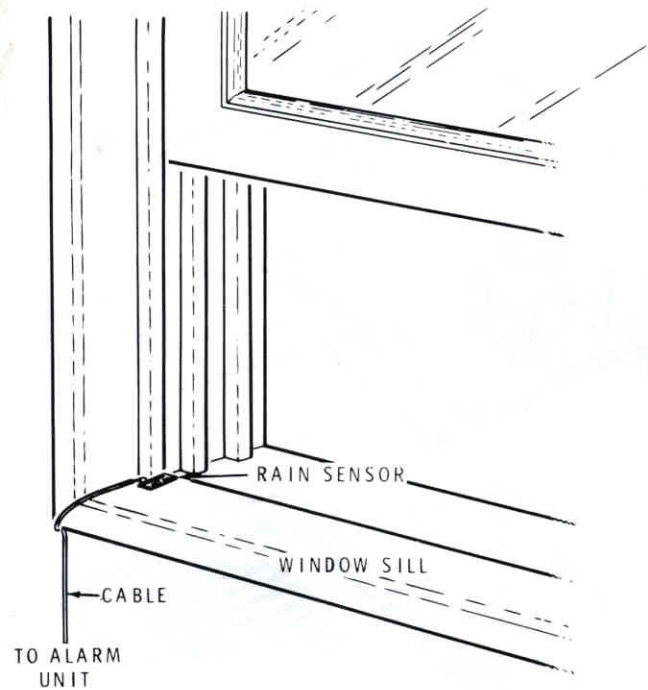


PICTORIAL 17

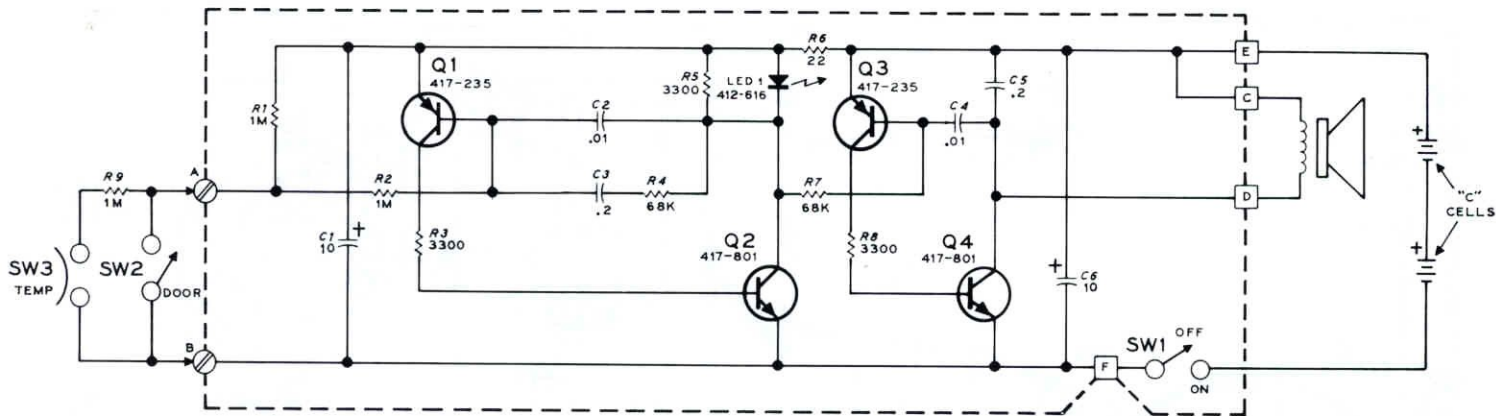
OFFSET DOOR MOUNTING



PICTORIAL 18



PICTORIAL 20



**SCHEMATIC OF THE
HEATHKIT®
FREEZER FAILURE ALARM
GD-1183**

NOTES:

1. ALL RESISTORS ARE 1/2 WATT. RESISTOR VALUES ARE IN OHMS (K=1000, M=1,000,000).
2. ALL CAPACITORS ARE IN μ F.
3. SW3 INDICATES A THERMAL SWITCH AND SW2 INDICATES AN ACTUATOR SWITCH.